

**Important:** Failure to read, thoroughly understand, and follow all instructions can result in serious personal injury, damage to equipment, or voiding of factory warranty.

## ⚠️ Instructions of Safety and Warnings

- Make sure that the mounting surface is strong enough to handle mounted product and equipment.
- DO NOT EXCEED MAXIMUM LISTED WEIGHT CAPACITY.
- Always use an assistant or a mechanical lifting device to safely lift and position heavy products.
- Tighten screws firmly, but do not over tighten. Over tightening can cause damage to the items, this greatly reduces their holding power.
- Keep a clear area and distance from moving parts when using the product.
- Use only as intended. Never stand, hang or climb on the product.
- This product is intended for indoor use only.
- Any attempts to reconstruct the construction aren't allowed.
- This product may contain small items that could be a choking hazard if swallowed. Keep children away unless the product is intended for their use and all instructions and manuals are fully reviewed and understood by them.
- Check that the product is secure and safe to use at regular intervals (at least every three months).

**The product is powered by electricity. To reduce the risk of burns, fire, electric shock, or injury to persons. Always follow these guidelines:**

- Never operate the system with a damaged cord or plug.
- Don't leave the cords or plug unorganized in order to prevent tripping hazards.
- Never operate the system if it's in moist environment or its electrical components has contact with liquids.
- Unplug the product from the electrical outlet before cleaning or when the system isn't in use.
- Alterations of the given power unit aren't allowed. Don't disassemble or replace components while the power is still connected without authorization.

Should you ever have any questions or feel you require help please contact your place of purchase for assistance.

**Disposal:**  
The product with this mark indicates that this product shouldn't be disposed with other household wastes throughout the EU. To prevent possible harm to the environment or human health from uncontrolled waste disposal, recycle it responsibly to promote the sustainable reuse of material resources. To return your used device, please use the local recycle service or contact your point of purchase to withdraw the product.



The product has been designed to meet Commission Regulation with regard to ecodesign requirements for electric power consumption of Standby mode condition of electrical and electronic household equipment.

Mode: Standby mode

Power consumption (Watts): ≤ 0.5W

Time to enter the standby mode condition: This product immediately enter into standby mode after manual operation

Mode: Networked standby mode

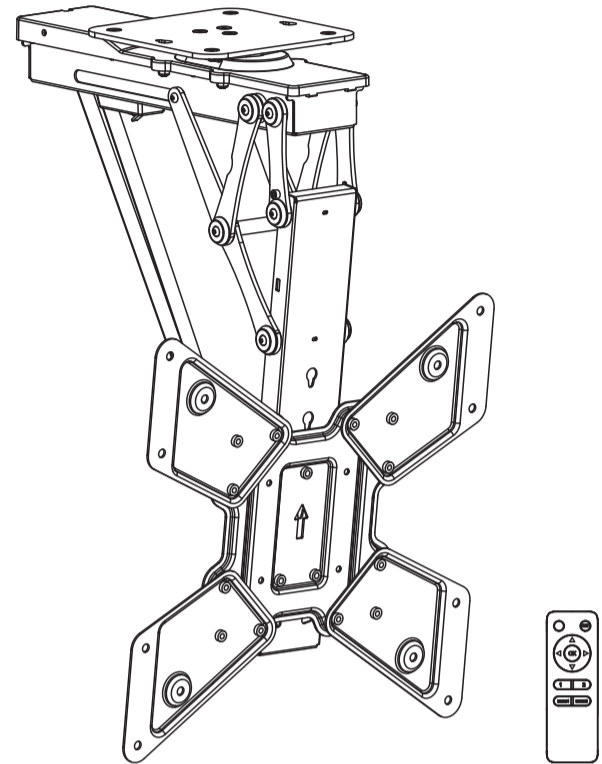
Power consumption (Watts): ≤ 2W

Time to enter the networked standby mode condition: This product immediately enter into standby mode after manual operation via WIFI

# nedis

## Instruction Manual

# MOTORIZED TV CEILING MOUNT



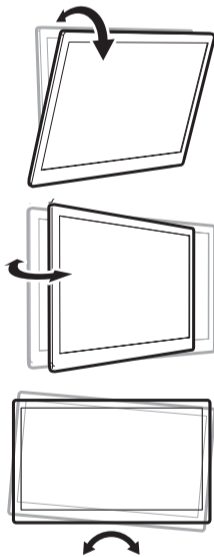
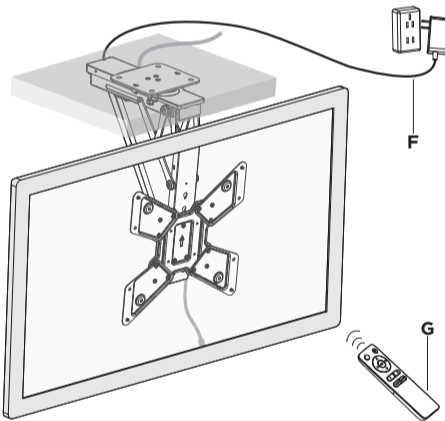
**TVCM5850BK**

VESA Compatible  
100x100 200x200 400x200  
300x300 400x400

65" MAX  
FLAT/CURVED

30kg (66lbs) RATED

**6**



- WARNING:** Do not operate or power the mount before the TV has been fully mounted and installed.
- WARNING:** Do not swivel the mount using hands.

### Remote Control Operation Instructions

#### A. Button Functions

##### 1. Upward/Downward Movement

Press the "▲" button, the TV mount will move upward to the lowest-profile position against the ceiling. Press the "▼" button, the TV mount will move downward to the maximum tilt angle position (75° by default). Press the "OK" button to stop the motion. (Tips: Clear up all obstacles within the range of motion.)

##### 2. Left/Right Side Movement

Press the "◀" button, the TV mount will move to the left side (90° by default). Press the "▶" button, the TV mount will move to the right side (90° by default). When swiveling the TV mount to the left or right 90°, then press the "OK" button, the mount will return to the default position (middle position).

##### 3. Memory Setting

Press the "mem1" or "mem2" button for 1 seconds and you will hear a beep, indicating that the current position has been saved to memory. The "mem1" "mem2" buttons can each store a different position.

##### 4. Recall Memory

Press the "1" or "2" button and the mount will automatically get to the position saved in the corresponding button "mem1" or "mem2".

##### 5. Reset Mode

If the TV mount can't be adjusted to the highest position (0 degree against the ceiling) or the lowest position (max. tilting position), unplug and re-plug the power. Then press and hold the "OK" button for 5 seconds. Mount will retract to the highest position, that means the system has been successfully reset.

**Note:** Long press (OK) for 5 seconds to disconnect the device from the app.  
**Note:** The remote controller is powered by two AAA batteries (not included).

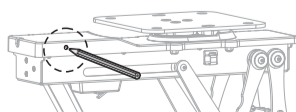
RMT-03  
remote control

#### B. Coding of Remote Controller and Control Box

**Step 1:** When the mount is powered on, press the small button on the control box with a thin tool as shown. The unit emits a beep, indicating that the control box is on standby for program coding.

**Step 2:** Press the "SET" button on the remote control within 10 seconds after Step 1. The control box will repeat beeps for approximately 10 seconds indicating that the remote control is being programmed. The process will automatically finish when you no longer hear any beeps.

**Note:** The TV Mount can be matched with up to 20 remote controllers. To clean up the data of all the remote controllers and the phone, press and hold the code matching button for 5 seconds then release. The unit will emit two beeps confirm the successful clean up and vice versa



#### 6. Turn Off and On the Wi-Fi/Bluetooth Mode

(Note: After repowering the TV mount, it will default to network standby mode, making it discoverable and searchable.)

##### 1. Turn Off the Wi-Fi/Bluetooth Mode:

Press the "MEM1" button for 10 seconds. The buzzer will beep once at the 3-second mark - do not release the button. Continue holding until you hear another beep at the 10-second mark, indicating the device has entered standby mode. The Wi-Fi/Bluetooth mode is disabled.

##### 2. Turn On the Wi-Fi/Bluetooth Mode:

Press the "MEM1" button for 10 seconds. The buzzer will beep once at the 3-second mark - do not release the button. Continue holding until you hear two beeps at the 10-second mark, indicating that the device has exited standby mode and entered network standby mode. The Wi-Fi/Bluetooth mode is now enabled.

### In Front

This repair guide intends to help you identify and solve the minor problems caused by unusual operation of the electric system of our electric TV mounts. The simple procedures in this manual are easy to follow and capable of solving the most problems happened in everyday use.

### Error Indication

#### 1. The Buzzer Constantly Gives Out Alarm Sound: The Error Of Positioning Signal

Reset the system by following the instruction manual. If the alarm sound continues, please contact us to replace the product.



### Remote Control Problems

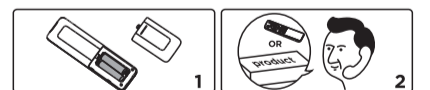
#### 1. Abnormal Loss Of Power (Normally Batteries Are Out Of Power After 24hrs Without Using The Remote Control.)

Please contact us to replace remote control.



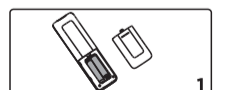
#### 2. Buttons On Remote Control Don't Work.

Please check if the batteries have power. If the problem isn't solved, please contact us to replace the remote control. If the problem is still not solved after the replacement, please contact us to replace the product.



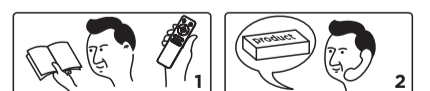
#### 3. The Insensitivity Of Remote Control (The Functional Distance Is Less Than 3m.)

Please replace the batteries. If the problem is still not solved, please contact us to replace remote control.



### Abnormal Operation: The TV Mount Can't Be Adjusted To 0° Or 75°

Please reset the system by following the instruction manual. If the problem is still not solved, please contact us to replace the product.



### Can't Operate

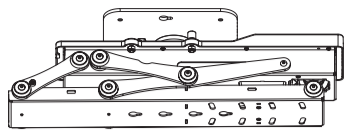
Please check if the power adaptor is properly connected to the product. If so, please turn the power on. If there is no buzzer sound or red light power indication, please check if the power adaptor works properly. If the power adaptor doesn't work please contact us to replace the power adaptor. If the power adaptor works properly, but the TV mount doesn't work, please contact us to replace the product.



### Abnormal Noise

Please contact us to replace the product.





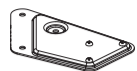
A (x1)



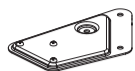
B (x1)



C (x1)



D (x2)



E (x2)



F (x1)



G (x1)

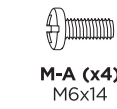


H (x4)

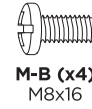


I (x2)

Ensure that you have received all parts according to the component checklist prior to installation. If any of the components are missing or damaged, contact your local seller for a replacement.



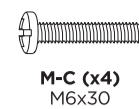
M-A (x4)  
M6x14



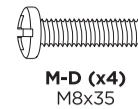
M-B (x4)  
M8x16



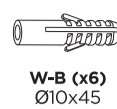
W-A (x6)  
ST6.3x55



M-C (x4)  
M6x30



M-D (x4)  
M8x35



W-B (x6)  
Ø10x45



M-E (x4)  
D8



M-F (x4)  
Ø15xØ8x5



M-G (x4)  
Ø15xØ8x15



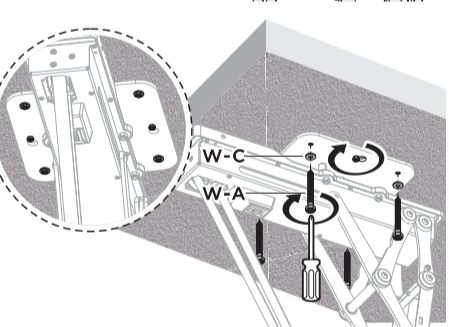
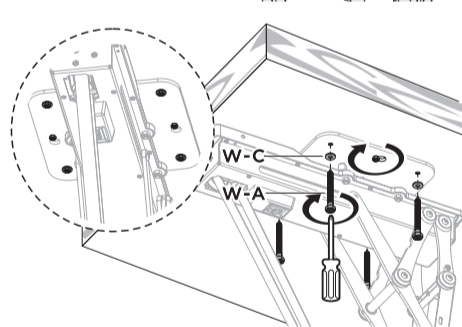
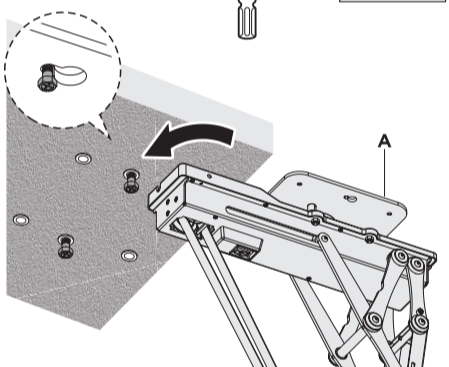
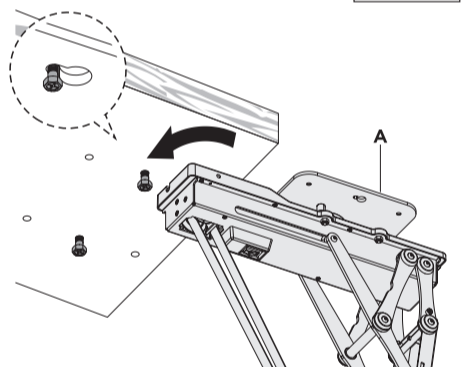
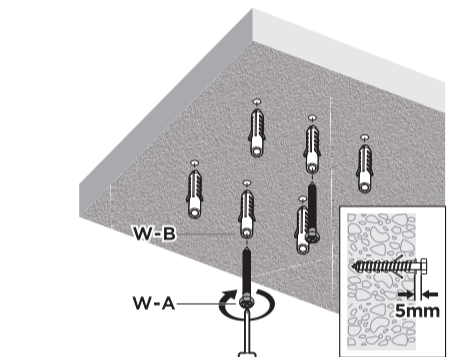
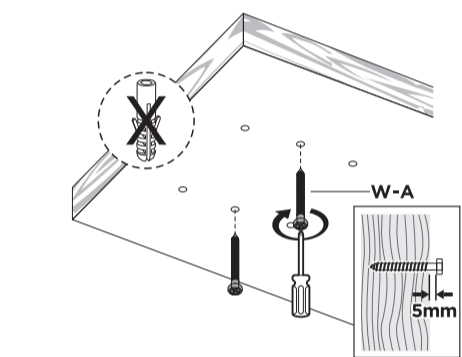
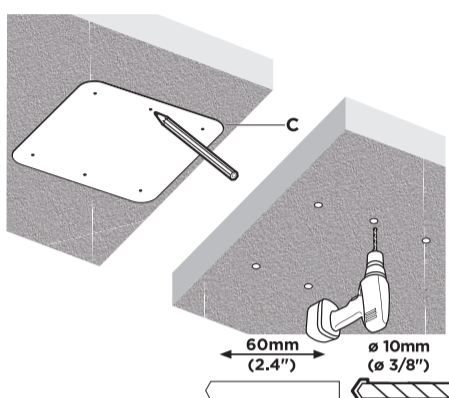
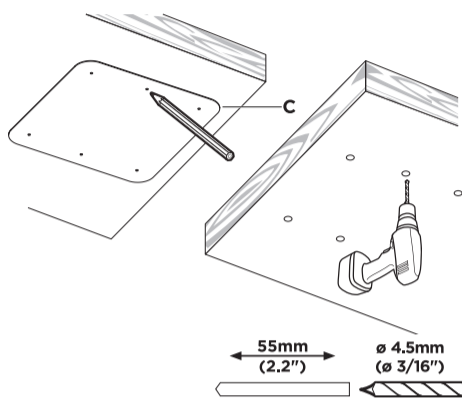
W-C (x4)  
D6



1

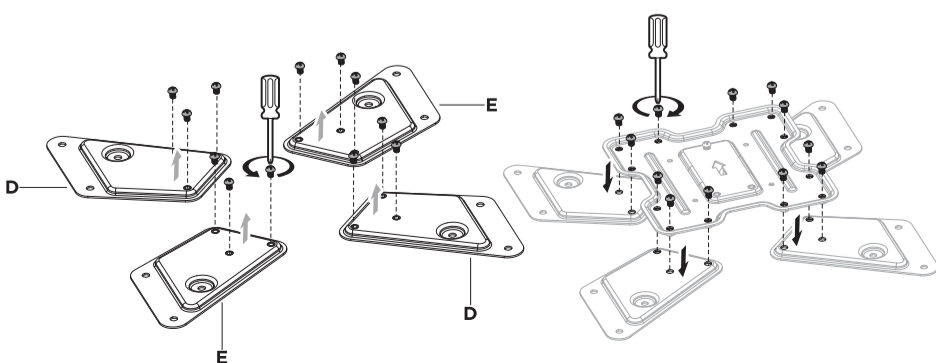
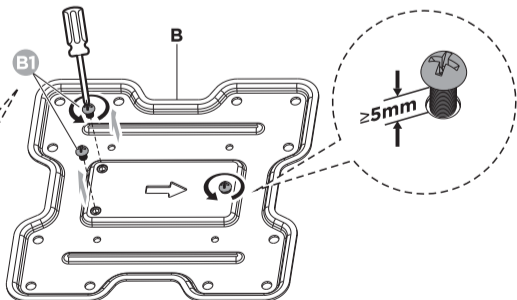
**WARNING:**

- Installers are responsible to provide hardware for other types of mounting situations.
- Installers must verify that the supporting surface will safely support the combined weight of the equipment and all attached hardware and components.

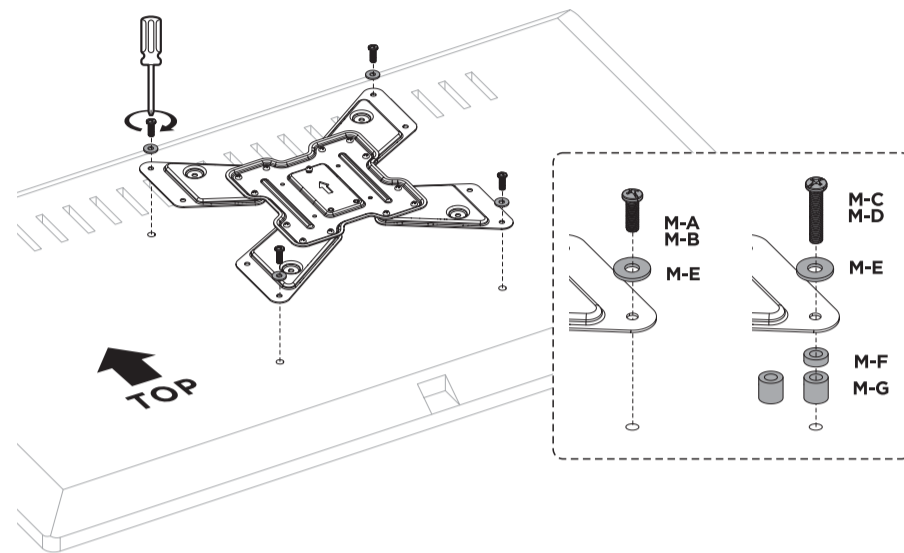
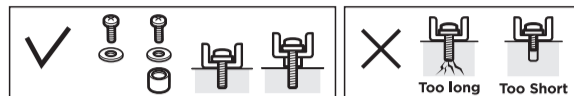


2

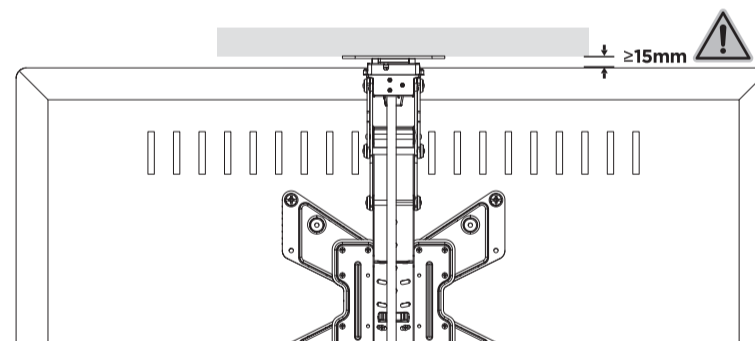
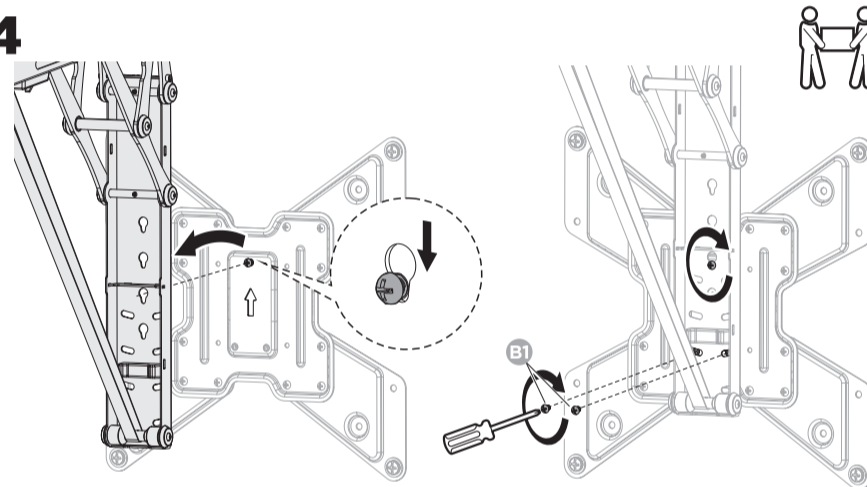
Remove the bottom screws from the VESA plate and keep the two screws for use later.



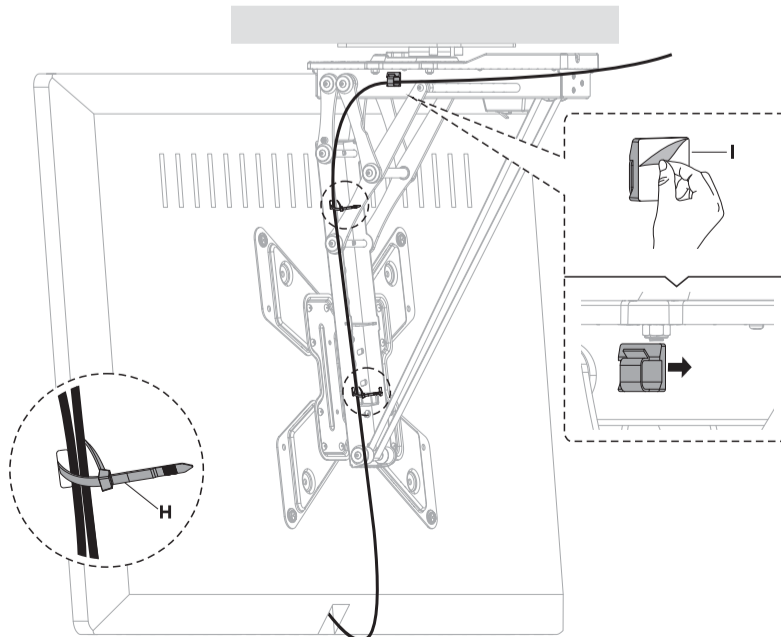
3



4



5



**WARNING:** Anything is not allowed to pass through the mount motion space.

Use the cable ties to hold the cables in place. **Note:** Leave slack in the cables for arm movement.