



Combi Microwave Oven

23 L - with grill function

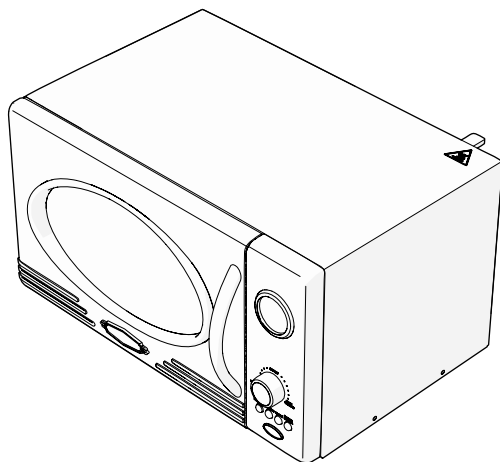
QUICK START GUIDE

16330128

16330129

16330130

16330131



For more information see the extended manual online:
<https://cdn.nedis.com/manuals/html/16330128>



For more information see the extended manual online:
<https://cdn.nedis.com/manuals/html/16330129>



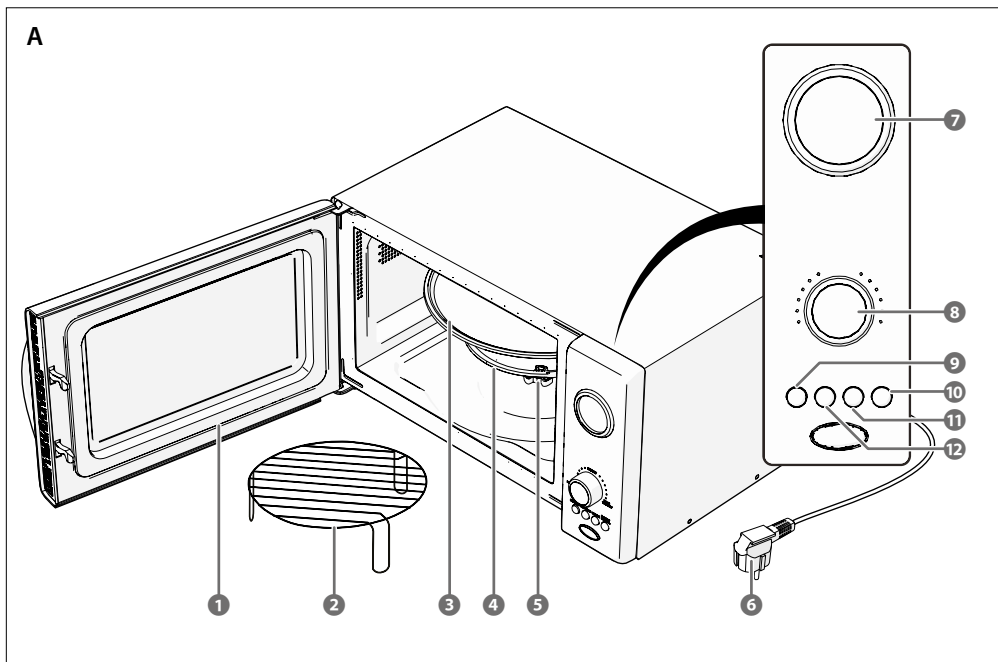
For more information see the extended manual online:
<https://cdn.nedis.com/manuals/html/16330130>



For more information see the extended manual online:
<https://cdn.nedis.com/manuals/html/16330131>

EN	Quick start guide	3	HU	Gyors beüzemelési útmutató	48
DE	Kurzanleitung	6	PL	Przewodnik Szybki start	52
FR	Guide d'utilisation rapide	11	EL	Οδηγός γρήγορης εκκίνησης	57
NL	Snelstartgids	15	SK	Rýchly návod	62
IT	Guida rapida all'avvio	20	CS	Rychlý návod	66
ES	Guía de inicio rápido	24	RO	Ghid rapid de inițiere	70
PT	Guia de iniciação rápida	28	EST	Lühijuhend	74
SV	Snabbstartsguide	33	LV	Ātrās palaišanas ceļvedis	78
FI	Pika-aloitusopas	36	LT	Greitasis pradžios vadovas	82
NO	Hurtigguide	40	TR	Hızlı başlangıç kılavuzu	86
DA	Vejledning til hurtig start	44			

Specification	Value
Input voltage	230V~ 50Hz
Rated power	1280 W
Power consumption in off mode	N/A
Time needed to reach off mode	N/A
Power consumption in standby mode	0.4 W
Time needed to reach standby mode	0 minutes



Combi Microwave Oven

16330128 16330130
16330129 16330131

For more information, scan the QR code on the front page to see the extended manual.

About this document

Thank you for purchasing the Melissa Combi Microwave Oven.

This document is the user manual and contains all the information for correct, efficient, and safe use of the product.

Ensure you have fully read and understood the instructions in this document before you install or use the product. Keep the packaging and this document for future reference.

Symbols used

⚠ WARNING	Signal word used to indicate a potentially hazardous situation which, if not avoided, could result in death or serious injury.
⚠ CAUTION	Signal word used to indicate a potentially hazardous situation which, if not avoided, could result in minor or moderate injury.
NOTICE	Signal word used to address practices not related to physical injury.

Intended use

This product is a freestanding microwave oven.

The product is intended for heating food and beverages. Drying of food or clothing and heating of warming pads, slippers, sponges, damp cloth and similar may lead to risk of injury, ignition or fire.

This product is intended for indoor use only.

This product can be used by children aged from 8 years and above and persons with reduced physical, sensory or mental capabilities or lack of experience and knowledge if they have been given supervision or instruction concerning use of the product in a safe way and understand the hazards involved. Children shall not play with the product. Cleaning and user maintenance shall not be done by children without supervision.

Do not let persons with reduced physical, sensory or mental capabilities or lack of experience and knowledge of how to operate, use the product.

This product is intended to be used in household and similar applications such as:

- staff kitchen areas in shops, offices and other working environments;
- farm houses;
- by clients in hotels, motels and other residential type environments;
- bed and breakfast type environments.

The product is not intended for professional use.

Any modification of the product may have consequences for

safety, warranty and proper functioning.

Main parts (image A)

- | | |
|-------------------|----------------------|
| 1 Door | 7 Display |
| 2 Grill rack | 8 Dial |
| 3 Glass turntable | 9 Micro/Power button |
| 4 Turntable ring | 10 Pause button |
| 5 Spindle | 11 Instant button |
| 6 Power cable | 12 Preset button |

Safety instructions

Ensure you have fully read and understood the instructions in this document before you install or use the product. Keep the packaging and this document for future reference.

Only use the product as described in this document.

⚠ WARNING

Risk of electric shock. Opening the product may expose live parts.

- Do not disassemble the product; there are no user-serviceable parts inside.
- This product may only be serviced by a qualified technician for maintenance.
- Disconnect the product from the power source before service and when replacing parts.

Risk of electric shock. Contact with water can expose the user to live electrical parts.

- Do not immerse the product in water or other liquids.
- Disconnect the product from the power source before cleaning.
- Do not place the product in a dishwasher.

Risk of electric shock. When the power cable is damaged, the electric circuit can be exposed.

- Only use the provided power cable.
- Ensure that the cable is fully extended.
- The cable must not be twisted or wound around the product
- Do not unplug the product by pulling on the cable. Always grasp the plug and pull.
- Do not let the power cable hang over the edge of a table or counter, or touch hot surfaces.
- Always keep the power cable and the product away from usual walkways.

Risk of sparking or fire. Some materials can initiate fire when exposed to microwave radiation.

- Do not use the grill rack in microwave or combination cooking modes. The grill rack must be placed on the glass turntable and used only for grill cooking.
- Only use utensils that are suitable for use in microwave ovens.
- Metallic containers for food and beverages are not allowed during microwave cooking.
- Only use the temperature probe recommended for this oven (for appliances having a facility to use a temperature-sensing probe).
- When heating food in plastic or paper containers, keep an eye on the oven due to the possibility of ignition.

Risk of fire due to short circuit. Damaged components can overheat and ignite.

- Do not use the product if any part is damaged or defective; replace it immediately.
- If the power cable is damaged, it must be replaced by a special cable or assembly available from the manufacturer or its service agent.

Risk of fire due to overheating. If the product cannot lose its warmth, it can overheat and ignite.

- Do not block ventilation openings.
- Do not remove the feet from the product.
- Always ensure sufficient space around the product.
- When placed in a cabinet, only use the product with the cabinet door open.

Risk of fire due to overheating. When the product is used without anything inside, it absorbs the radiation itself. Never start the product when empty.

Risk of injury. The product is not designed for use by children under 8.

- Keep the appliance under constant supervision while in use.
- Keep an eye on any children in the vicinity of the appliance when it is in use.
- Never allow children or pets to play with the product.

Risk of serious injury and burns. Hot surfaces and unattended operation may cause burns or injuries.

- Disconnect the product from the power source when not in use.
- Never leave the product unattended when children and vulnerable people are present.
- Do not operate this product using an external timer or separate remote-control system.

Risk of suffocation. Do not let children play with the packaging material. Always keep the packaging material out of the reach of children.

Risk of exposure to microwave radiation. Damage to the product can cause microwave radiation to escape:

- It is hazardous for anyone other than a competent person to carry out any service or repair operation that involves the removal of a cover that gives protection against exposure to microwave energy.
- When the door is damaged, radiation might escape from the product. If the door, door seals, or the locking system is damaged, stop using the product and have it repaired by a competent person.

Risk of toxic fumes or fire. Cleaning residue can release harmful fumes or cause sparks. Always wipe away all cleaning products after cleaning.

⚠ CAUTION

Risk of burns. The product, and the used foods and objects, may get hot during use.

- Do not touch the surface of this product during use.
- Liquids and other foods must not be heated in sealed containers since they are liable to explode.
- Always stir or shake the contents of feeding bottles and baby food jars and check the temperature before

consumption, in order to avoid burns.

- Eggs in their shell and whole hard-boiled eggs should not be heated in microwave ovens since they may explode, even after microwave heating has ended.
- Heating oils or fats in the product takes a long time, and the container will get extremely hot. Never use the product to heat oils and fats.

NOTICE

Risk of damage to the door. The door has a safety mechanism that keeps the door closed when the product is in use. Never use excessive force when opening the door. Always wait for the door to be unlocked.

Risk of damage due to exposure to water. Moisture can damage internal electrical parts.

- Do not expose the product to water, rain, moisture, or high humidity.

- Do not clean the product with a steam cleaner.

Risk of damage. The product is not protected against heavy impact. Do not drop the product and avoid bumping.

Risk of damage to the surface. Cleaning agents can damage the finishing. Do not use aggressive chemical cleaning agents when cleaning the product.

Risk of an unhygienic product. Using the product without the glass turntable and a suitable container can cause dirt buildup and even bacterial growth. Always use the product with the turntable installed. Always heat food on a microwave-safe plate or container.

Explanation of the symbols on the product or packaging



Icon **Description**

Indication for a hot surface. Contact may cause burns. Do not touch.

Check the contents of the package

Check that all parts are present and that no damage is visible on the parts. If parts are missing or damaged, contact the service desk via: support.melissa-online.com

Installing the product

1. Remove all packaging from the in- and outside of the product before use.
2. Place the product upright on a flat and stable surface, capable of bearing the weight of the product (ca. 12.5 kg).
i There must be a clearance of at least 10 cm at the back, 5 cm at the sides, and 20 cm at the top to ensure sufficient ventilation and avoid overheating. When installed in a cabinet, keep the door of the cabinet open during use.
3. Check if the glass turntable **A3** is correctly seated on the turntable ring **A4** and spindle **A5**. The groove on the bottom of the glass turntable must be aligned with the three wheels.
4. Plug the power cable **A6** into a power outlet. The display **A7** blinks three times.

Setting the time

1. Press and hold the Preset button **A** **2** for 3 seconds. The hour digits flash.
2. Turn the dial **A** **6** to set the hours.
3. Press the Preset button. The minute digits flash.
4. Turn the dial to set the minutes.
5. Press the Preset button to finish setting the time.

Using the product

We advise using glass, stoneware, or microwave-safe plastic containers and utensils. Never use the following utensils in the product:

- Sealed glass jars and bottles
- Glass bottles with small openings
- Closed tins and containers
- General-purpose thermometers
- Silver foil
- Recycled paper
- Plates with gold or silver decorations
- Containers containing any metal

i If you want to test the microwave without food, use a glass of water.

Quick operation

- i** During the process, press the pause button to pause the process. Double press the pause button to cancel the process.
1. Place the food in the middle of the turntable.
2. Close the door.
3. Press the instant button **A** **1**. The process starts immediately at full power for 1 minute.
4. Optionally, repeatedly press the instant button to adjust the timer.
5. When the process is finished, the product emits 3 beeps and the display shows **END**.

Manual operation

1. Place the food in the middle of the turntable.
2. Close the door.
3. Press the Micro/Power button **A** **9** repeatedly to select the desired microwave power. The display shows the microwave power in percentages. The table below shows the corresponding wattages.

i Besides microwave power, the programs **_G**, **C1**, and **C2** are also available. See chapters Using the grill function and Using the combination programs for more information.

100	800 W
80	640 W
60	480 W
40	320 W
20	160 W

i Microwave power levels are displayed as percentages of the maximum output. The corresponding wattage values are indicative and not fixed.

4. Turn the dial to select the desired cooking time

- i** If desired, repeat step 3 and 4, to program multiple stages. Up to 4 stages can be programmed. During the process, when the timer of a stage is finished, the product automatically continues the next stage.
5. Press the instant button to start the process. The display shows the remaining time.
- i** To display the microwave power during the process, press the Micro/Power button.
6. When the process is finished, the product emits 3 beeps and the display shows **END**.

Using the grill function

- i** Use the grill function for grilling meats, or making toasted sandwiches and gratins.
1. Place the grill rack on top of the glass turntable.
2. Place the food in the middle of the grill rack.
3. Close the door.
4. Press the Micro/Power button repeatedly until the display shows **_G**.
5. Turn the dial to select the desired cooking time
6. Press the instant button to start the process. The display shows the remaining time.

Using the combination programs

- i** Combination programs use the microwave function and grill function at the same time.
1. Place the food in the middle of the turntable.
2. Close the door.
3. Press the Micro/Power button repeatedly until the display shows **C1** or **C2**.

Display	Function	Dishes
C1	30% microwave, 70% grill	Fish, potatoes, or gratins
C2	55% microwave, 45% grill	Omelets, baked potatoes, or poultry

Defrosting

- i** Use this function to defrost meat and seafood.
1. Weigh the amount of food and remember the weight.
2. Place the food in the middle of the turntable.
3. Close the door.
4. Press the preset button to select the correct defrost setting shown in the table below.

Code	Type of food	Interval
D1	Meat	0.1 - 2 kg
D2	Poultry	0.2 - 3 kg
D3	Seafood	0.1 - 0.9 kg

5. Turn the dial to set the weight of the food in kg. For example, to defrost 600 grams of food, set the dial to **"0,6"**.
6. Press the instant button to start the process. When the product beeps during the process:
7. Open the door. The process pauses.
8. Turn the food upside down, or in case of smaller bits of food, give them a shake or stir.

- Close the door.
- Press the instant button to continue the process.
- When the process is finished, the product emits 3 beeps and the display shows **END**.

Using presets

- Weigh the amount of food and remember the weight.
- Place the food in the middle of the turntable.
- Close the door.
- Turn the dial one step anticlockwise to enter the preset mode.
- Turn the dial to select the number corresponding to the desired preset. See the table below for all presets.
- Press the dial to select a preset.
- Turn the dial to set the weight of the food in kg. For example, to defrost 600 grams of food, set the dial to **"0,6"**.
- Press the instant button to start the process.
- When the process is finished, the product emits 3 beeps and the display shows **END**.

Code	Type of food	Settings
A1	Popcorn	85 - 100 gr
A2	Potatoes	0.45 - 0.65 kg
A3	Vegetables	0.1 - 0.5 kg
A4	Meat*	0.2 - 0.7 kg
A5	Fish*	0.2 - 0.7 kg
A6	Poultry*	0.2 - 0.7 kg
A7	Lasagne	0.2 - 1 kg
A8	Milk/coffee	0.25 - 0.5 kg
A9	Rice	0.1 - 0.5 kg
A10	Spaghetti**	0.1 - 0.5 kg
A11	Bread	0.1 - 0.5 kg
A12	Pizza	1 - 2 items

* must be turned over or stirred when the product beeps

** must add boiling water before cooking

Setting the delay timer

- The delay timer cannot be used with the express and programmed processes.

Set the desired program. Before starting the process:

- Press and hold the Preset button for 3 seconds. The hour digits flash.
 - (In the delay timer function, you set the time at which the cooking process should start. The clock must be set correctly for the timer to work (see chapter Setting the time).
- Turn the dial to set the hour.
- Press the Preset button. The minute digits start flashing.
- Turn the dial to set the minutes.
- Press the Preset button to finish setting the delay timer. A beep sounds and the display flashes.
 - The process starts when the set time is reached.
- To check the set time, press the preset button.

- To cancel the timer, press the pause button.

Activating the child lock

- Press and hold the pause button **A** for 3 seconds. A beep sounds, the display shows **OFF**, and a lock symbol.
- To deactivate the child lock, press and hold the pause button for 3 seconds.

Warranty

This product is intended for domestic use. Any changes and/or modifications to the product will invalidate the warranty. We can't accept any liability for damage caused by improper use of the product. Normal wear and tear is excluded from warranty.

Disclaimer

Due to the constant development of our products in terms of function and design, we reserve the right to make changes to the product without notice. All logos, brands and product names are trademarks or registered trademarks of their respective holders and are hereby recognized as such.

Disposal



This product is designated for separate collection at an appropriate collection point. Do not dispose of the product with household waste. For more information, contact the retailer or the local authority responsible for waste management.

EU declaration of conformity

We declare that this product is in compliance with the relevant EU legislation. The EU declaration of Conformity is available on our website or can be obtained upon request.

DE Kurzanleitung

Kombi-Mikrowelle

16330128 16330130

16330129 16330131



Weitere Informationen erhalten Sie, wenn Sie den QR-Code auf der Titelseite scannen, um das erweiterte Handbuch anzuzeigen.

Über dieses Dokument

Vielen Dank für den Kauf des Melissa Kombi-Mikrowelle. Dieses Dokument ist die Gebrauchsanweisung und enthält alle Informationen, für eine korrekte, effiziente und sichere Verwendung des Produkts. Vergewissern Sie sich, dass Sie die Anweisungen in der Anleitung vollständig gelesen und verstanden haben, bevor Sie das Produkt installieren oder verwenden. Heben Sie die Verpackung und dieses Dokument zum späteren Nachschlagen auf.

Benutzte Symbole

⚠️ WARNUNG	Signalwort als Hinweis für eine potenziell gefährliche Situation, die, wenn sie nicht vermieden wird, zum Tod oder schweren Verletzungen führen kann.
⚠️ VORSICHT	Signalwort als Hinweis für eine potenziell gefährliche Situation, die, wenn sie nicht vermieden wird, zu leichten oder mittelschweren Verletzungen führen kann.
HINWEIS	Signalwort, das verwendet wird, um Praktiken anzusprechen, die nicht mit körperlichen Verletzungen verbunden sind.

Anwendung

Dieses Produkt ist eine freistehende Mikrowelle. Das Produkt ist zum Erwärmen von Speisen und Getränken bestimmt. Das Trocknen von Lebensmitteln oder Kleidung und das Erwärmen von Wärmekissen, Hausschuhen, Schwämmen, feuchten Tüchern und Ähnlichem kann zu Verletzungsgefahr, Entzündung oder Brand führen. Dieses Produkt ist nur zur Verwendung in Innenräumen gedacht.

Dieses Produkt kann von Kindern ab 8 Jahren und darüber sowie von Personen mit verringerten physischen, sensorischen oder geistigen Fähigkeiten oder Mangel an Erfahrung und Wissen benutzt werden, wenn sie beaufsichtigt oder bezüglich des sicheren Gebrauchs des Produkts unterwiesen wurden und die damit verbundenen Gefahren verstehen. Kinder dürfen nicht mit dem Produkt spielen. Reinigung und Wartung durch den Benutzer dürfen nicht von Kindern ohne Aufsicht durchgeführt werden. Lassen Sie keine Personen mit verringerten körperlichen, sensorischen oder geistigen Fähigkeiten oder mangelnder Erfahrung oder Wissen zur Verwendung des Produkt nutzen. Dieses Produkt ist zur Verwendung in Privathaushalten und vergleichbaren Umgebungen gedacht wie z. B.:

- Küchenbereiche für Mitarbeiter in Geschäften, Büros und anderen Arbeitsumgebungen;
- Bauernhäuser;
- von Kunden in Hotels, Motels und anderen Wohnumgebungen;
- Bed & Breakfast-ähnliche Unterkünfte.

Das Produkt ist nicht für den professionellen Einsatz gedacht.

Jegliche Modifikation des Produkts kann Folgen für die Sicherheit, Garantie und ordnungsgemäße Funktionalität haben.

Hauptbestandteile (Abbildung A)

- | | |
|-------------------|------------------|
| 1 Tür | 4 Drehtellerring |
| 2 Grillrost | 5 Spindel |
| 3 Glas-Drehteller | 6 Stromkabel |

- | | |
|---------------------|-----------------|
| 7 Anzeige | 10 Pause-Taste |
| 8 Regler | 11 Sofort-Taste |
| 9 Micro/Power Taste | 12 Preset Taste |

Sicherheitshinweise

Vergewissern Sie sich, dass Sie die Anweisungen in der Anleitung vollständig gelesen und verstanden haben, bevor Sie das Produkt installieren oder verwenden. Heben Sie die Verpackung und dieses Dokument zum späteren Nachschlagen auf.

Verwenden Sie das Produkt nur wie in diesem Dokument beschrieben.

⚠️ WARNUNG

Gefahr eines Stromschlags. Durch Öffnen des Produkts können spannungsführende Teile freigelegt werden.

- Das Produkt darf nicht zerlegt werden, da es keine vom Benutzer zu wartenden Teile enthält.
- Dieses Produkt darf nur von einem qualifizierten Techniker gewartet werden.
- Trennen Sie das Produkt vor Wartungsarbeiten und beim Austausch von Teilen von der Stromversorgung.

Gefahr eines Stromschlags. Durch Kontakt mit Wasser kann der Benutzer mit stromführenden Teilen in Berührung kommen.

- Tauchen Sie das Produkt nicht in Wasser oder andere Flüssigkeiten.
- Trennen Sie das Produkt vor der Reinigung von der Stromversorgung.
- Das Produkt darf nicht in die Spülmaschine gegeben werden.

Stromschlaggefahr. Wenn das Netzkabel beschädigt ist, kann der Stromkreis freigelegt werden.

- Verwenden Sie nur das mitgelieferte Stromkabel.
- Stellen Sie sicher, dass das Kabel vollständig ausgezogen ist.
- Das Kabel darf nicht verdreht oder um das Produkt gewickelt werden.
- Ziehen Sie das Produkt niemals am Kabel aus der Steckdose. Halten Sie immer den Stecker fest und ziehen Sie daran.
- Lassen Sie das Stromkabel nicht über die Kante eines Tisches oder einer Arbeitsplatte herunterhängen, oder in Kontakt mit heißen Oberflächen kommen.
- Halten Sie das Stromkabel und das Produkt von üblichen Laufwegen fern.

Entzündungs- oder Brandgefahr. Einige Materialien können bei Einwirkung von Mikrowellenstrahlung Feuer entfachen.

- Verwenden Sie den Grillrost nicht im Mikrowellen- oder Kombinationsmodus. Der Grillrost muss auf den Glasdrehteller gelegt werden und darf nur zum Grillen verwendet werden.
- Verwenden Sie nur Utensilien, die für die Verwendung in Mikrowellenherden geeignet sind.
- Metallbehälter für Lebensmittel und Getränke sind beim Garen in der Mikrowelle nicht zulässig.
- Verwenden Sie nur den für diesen Ofen empfohlenen

Temperaturfühler (für Geräte, die über eine Vorrichtung zur Verwendung eines Temperaturfühlers verfügen).

- Wenn Sie Lebensmittel in Plastik- oder Papierbehältern erhitzen, behalten Sie den Ofen im Auge, da sich diese entzünden können.

Brandgefahr durch Kurzschluss. Beschädigte

Komponenten können überhitzen und sich entzünden.

- Verwenden Sie das Produkt nicht, wenn ein Teil beschädigt oder defekt ist; ersetzen Sie es sofort.
- Wenn das Netzkabel beschädigt ist, muss es durch ein Spezialkabel oder eine Spezialbaugruppe vom Hersteller oder Servicepartner ersetzt werden.

Brandgefahr durch Überhitzung. Wenn das Produkt seine Wärme nicht abgeben kann, kann es überhitzen und sich entzünden.

- Blockieren Sie keine Lüftungsöffnungen.
- Entfernen Sie die Füße nicht vom Produkt.
- Sorgen Sie immer für ausreichend Platz um das Produkt herum.
- Wenn das Produkt in einem Schrank aufgestellt wird, darf es nur bei geöffneter Schranktür verwendet werden.

Brandgefahr durch Überhitzung. Wenn das Produkt ohne Inhalt verwendet wird, absorbiert es die Strahlung selbst. Starten Sie das Produkt niemals, wenn es leer ist.

Verletzungsgefahr. Das Produkt ist nicht für Kinder unter 8 Jahren geeignet.

- Behalten Sie das Gerät während des Gebrauchs ständig im Auge.
- Behalten Sie Kinder in der Nähe des Geräts im Auge, wenn es in Betrieb ist.
- Lassen Sie Kinder oder Haustiere niemals mit dem Produkt spielen.

Gefahr schwerer Verletzungen und Verbrennungen.

Heiße Oberflächen und unbeaufsichtigter Betrieb können zu Verbrennungen oder Verletzungen führen.

- Trennen Sie das Produkt von der Stromquelle, wenn es nicht verwendet wird.
- Lassen Sie das Produkt niemals unbeaufsichtigt, wenn Kinder und gefährdete Personen anwesend sind.
- Betreiben Sie dieses Produkt nicht mit einer externen Zeitschaltuhr oder einer separaten Fernbedienung.

Erststichungsgefahr. Lassen Sie Kinder nicht mit dem Verpackungsmaterial spielen. Bewahren Sie das Verpackungsmaterial stets außerhalb der Reichweite von Kindern auf.

Gefahr der Exposition gegenüber Mikrowellenstrahlung.

Beschädigungen am Produkt können zum Austritt von Mikrowellenstrahlung führen:

- Es ist gefährlich, wenn andere Personen als Fachleute Wartungs- oder Reparaturarbeiten durchführen, bei denen eine Abdeckung entfernt werden muss, die vor Mikrowellenenergie schützt.
- Wenn die Tür beschädigt ist, kann Strahlung aus dem Produkt austreten. Wenn die Tür, die Türdichtungen oder das Verriegelungssystem beschädigt sind, verwenden

Sie das Produkt nicht mehr und lassen Sie es von einer sachkundigen Person reparieren.

Gefahr durch giftige Dämpfe oder Feuer.

Reinigungsrückstände können schädliche Dämpfe freisetzen oder Funken verursachen. Wischen Sie nach der Reinigung stets alle Reinigungsmittel ab.

⚠ VORSICHT

Verbrennungsgefahr. Das Produkt sowie die verwendeten Lebensmittel und Gegenstände können während des Gebrauchs heiß werden.

- Berühren Sie während des Gebrauchs nicht die Oberfläche dieses Produkts.
- Flüssigkeiten und andere Lebensmittel dürfen nicht in verschlossenen Behältern erhitzt werden, da sie explodieren können.
- Rühren oder schütteln Sie den Inhalt von Babyflaschen und Gläsern immer gut durch und überprüfen Sie die Temperatur vor dem Verzehr, um Verbrennungen zu vermeiden.
- Eier in der Schale und ganze hartgekochte Eier sollten nicht in der Mikrowelle erhitzt werden, da sie explodieren können, selbst nachdem die Mikrowelle ausgeschaltet wurde.
- Das Erhitzen von Ölen oder Fetten im Produkt dauert sehr lange, und der Behälter wird extrem heiß. Verwenden Sie das Produkt niemals zum Erhitzen von Ölen und Fetten.

HINWEIS

Beschädigungsgefahr für die Tür. Die Tür verfügt über einen Sicherheitsmechanismus, der die Tür während des Betriebs geschlossen hält. Wenden Sie beim Öffnen der Tür niemals übermäßige Kraft an. Warten Sie immer, bis die Tür entriegelt ist.

Risiko von Schäden durch Wassereinwirkung.

Feuchtigkeit kann interne elektrische Teile beschädigen.

- Setzen Sie das Produkt nicht Wasser, Regen, Feuchtigkeit oder hoher Luftfeuchtigkeit aus.
- Reinigen Sie das Produkt nicht mit einem Dampfreiniger.

Beschädigungsgefahr. Das Produkt ist nicht gegen starke Stöße geschützt. Lassen Sie das Produkt nicht fallen und vermeiden Sie Stöße.

Risiko von Oberflächenbeschädigungen. Reinigungs

mittel können die **Oberfläche** beschädigen. Verwenden Sie zur Reinigung des Produkts keine aggressiven chemischen Reinigungsmittel.

Risiko eines unhygienischen Produkts. Die Verwendung des Produkts ohne den Glasdreheller und einen geeigneten Behälter kann zu Schmutzansammlungen und sogar zu Bakterienwachstum führen. Verwenden Sie das Produkt immer mit installiertem Dreheller. Erhitzen Sie Lebensmittel immer auf einem mikrowellengeeigneten Teller oder Behälter.

Erläuterung der Symbole auf dem Produkt oder der Verpackung

Symbol Beschreibung



Kennzeichen für eine heiße Oberfläche. Kontakt kann zu Verbrennungen führen. Nicht berühren.

Überprüfen Sie den Inhalt der Verpackung

Überprüfen Sie, ob alle Teile vorhanden sind und keine Beschädigungen sichtbar sind. Wenn Teile fehlen oder beschädigt sind, wenden Sie sich bitte an den Service Desk unter: support.melissa-online.com

Installation des Produkts

- Entfernen Sie vor Gebrauch alle Verpackungsmaterialien von der Innen- und Außenseite des Produkts.
- Stellen Sie das Produkt aufrecht auf eine ebene und stabile Fläche, die das Gewicht des Produkts (ca. 12,5 kg) tragen kann.
- i** Um eine ausreichende Belüftung zu gewährleisten und eine Überhitzung zu vermeiden, muss an der Rückseite ein Abstand von mindestens 10 cm, an den Seiten ein Abstand von mindestens 5 cm und an der Oberseite ein Abstand von mindestens 20 cm eingehalten werden. Bei der Installation in einem Schrank muss die Schranktür während des Betriebs offen bleiben.
- Überprüfen Sie, ob der Gesteller **A6** korrekt auf dem Drehtellerring sitzt. **A4** und Spindel **A5**. Die Nut an der Unterseite des Glasdrehtellers muss mit den drei Rädern ausgerichtet sein.
- Stecken Sie das Netzkabel ein **A6** in eine Steckdose. Das Display **A7** blinkt dreimal.

Einstellen der Uhrzeit

- Halten Sie die Preset-Taste gedrückt **A12** 3 Sekunden lang gedrückt. Die Stundenziffern blinken.
- Drehen Sie den Drehknopf **A9**, um die Stunden einzustellen.
- Drücken Sie die Taste „Preset“. Die Minutenziffern blinken.
- Drehen Sie den Drehknopf, um die Minuten einzustellen.
- Drücken Sie die Taste „Preset“, um die Zeiteinstellung abzuschließen.

Verwenden des Produkts

Wir empfehlen die Verwendung von Glas-, Steingut- oder mikrowelleneigneten Kunststoffbehältern und -utensilien. Verwenden Sie niemals die folgenden Utensilien in dem Produkt:

- Verschlussene Glasbehälter und Flaschen
- Glasflaschen mit kleinen Öffnungen
- Geschlossene Dosen und Behälter
- Allzweckthermometer
- Silberfolie
- Recyclingpapier
- Teller mit Gold- oder Silberverzierungen

- Behälter, die Metall enthalten
- i** Wenn Sie die Mikrowelle ohne Lebensmittel testen möchten, verwenden Sie ein Glas Wasser.

Schnelle Bedienung

- Drücken Sie während des Vorgangs die Pause-Taste, um den Vorgang anzuhalten. Drücken Sie die Pause-Taste zweimal, um den Vorgang abzubrechen.
- Legen Sie das Essen in die Mitte des Drehtellers.
- Schließ die Tür.
- Drücken Sie die Soforttaste **A11**. Der Vorgang beginnt sofort mit voller Leistung für 1 Minute.
- Optional können Sie die Soforttaste wiederholt drücken, um den Timer einzustellen.
- Wenn der Vorgang beendet ist, gibt das Gerät 3 Pieptöne ab und auf dem Display erscheint **END**.

Manueller Betrieb

- Legen Sie das Essen in die Mitte des Drehtellers.
- Schließ die Tür.
- Drücken Sie die Micro/Power Taste **A9** wiederholt, um die gewünschte Mikrowellenleistung auszuwählen. Das Display zeigt die Mikrowellenleistung in Prozent an. Die folgende Tabelle zeigt die entsprechenden Wattzahlen.
- i** Neben der Mikrowellenleistung stehen auch die Programme „G, C1 und C2 zur Verfügung. Weitere Informationen finden Sie in den Kapiteln „Verwendung der Grillfunktion“ und „Verwendung der Kombinationsprogramme“.

100	800 W
80	640 W
60	480 W
40	320 W
20	160 W

- i** Die Mikrowellenleistung wird als Prozentsatz der maximalen Ausgangsleistung angezeigt. Die entsprechenden Wattwerte sind Richtwerte und nicht fest vorgegeben.
- Drehen Sie den Drehknopf, um die gewünschte Garzeit auszuwählen.
- i** Wiederholen Sie bei Bedarf die Schritte 3 und 4, um mehrere Stufen zu programmieren. Es können bis zu 4 Stufen programmiert werden. Wenn während des Vorgangs der Timer einer Stufe abgelaufen ist, fährt das Produkt automatisch mit der nächsten Stufe fort.
- Drücken Sie die Soforttaste, um den Vorgang zu starten. Das Display zeigt die verbleibende Zeit an.
- i** Um die Mikrowellenleistung während des Vorgangs anzuzeigen, drücken Sie die Micro/Power Taste.
- Wenn der Vorgang beendet ist, gibt das Gerät 3 Pieptöne ab und auf dem Display erscheint **END**.

Verwendung der Grillfunktion

- i** Verwenden Sie die Grillfunktion zum Grillen von Fleisch oder zum Zubereiten von getoasteten Sandwiches und Grätins.

1. Legen Sie den Grillrost auf den Glasdrehteller.
2. Legen Sie das Grillgut in die Mitte des Grillrosts.
3. Schließ die Tür.
4. Drücken Sie wiederholt die Micro/Power Taste, bis auf dem Display **G** angezeigt wird.
5. Drehen Sie den Drehknopf, um die gewünschte Garzeit auszuwählen.
6. Drücken Sie die Soforttaste, um den Vorgang zu starten. Das Display zeigt die verbleibende Zeit an.

Verwendung der Kombinationsprogramme

- i** Kombinationsprogramme nutzen gleichzeitig die Mikrowellen- und Grillfunktion.
1. Legen Sie das Essen in die Mitte des Drehtellers.
 2. Schließ die Tür.
 3. Drücken Sie die Micro/Power Taste wiederholt, bis auf dem Display **C1** oder **C2** angezeigt wird.

Anzeige	Funktion	Geschirr
C1	30 % Mikrowelle, 70 % Grill	Fisch, Kartoffeln oder Gratin
C2	55 % Mikrowelle, 45 % Grill	Omeletts, Ofenkartoffeln oder Geflügel

Auftauen

- i** Verwenden Sie diese Funktion zum Auftauen von Fleisch und Meeresfrüchten.
1. Wiegen Sie die Menge an Lebensmitteln und merken Sie sich das Gewicht.
 2. Legen Sie das Essen in die Mitte des Drehtellers.
 3. Schließ die Tür.
 4. Drücken Sie die Preset-Taste, um die richtige Abtaustufe auszuwählen, die in der folgenden Tabelle angegeben ist.

Code	Art der Lebensmittel	Intervall
D1	Fleisch	0,1 - 2 kg
D2	Geflügel	0,2 - 3 kg
D3	Meeresfrüchte	0,1 - 0,9 kg

5. Drehen Sie den Drehknopf, um das Gewicht der Lebensmittel in kg einzustellen. Um beispielsweise 600 Gramm Lebensmittel aufzutauen, stellen Sie den Drehknopf auf **„0,6“**.
6. Drücken Sie die Soforttaste, um den Vorgang zu starten. Wenn das Produkt während des Vorgangs piept:
7. Öffnen Sie die Tür. Der Vorgang wird unterbrochen.
8. Drehen Sie die Lebensmittel um, oder schütteln oder rühren Sie kleinere Lebensmittelstücke um.
9. Schließ die Tür.
10. Drücken Sie die Sofort-Taste, um den Vorgang fortzusetzen.
11. Wenn der Vorgang beendet ist, gibt das Gerät 3 Pieptöne ab und auf dem Display erscheint **END**.

Verwenden der Senderspeicher

1. Wiegen Sie die Menge an Lebensmitteln und merken Sie sich das Gewicht.
2. Legen Sie das Essen in die Mitte des Drehtellers.
3. Schließ die Tür.
4. Drehen Sie den Drehknopf um eine Stufe gegen den Uhrzeigersinn, um den Voreinstellungsmodus aufzurufen.
5. Drehen Sie den Drehknopf, um die Nummer auszuwählen, die der gewünschten Voreinstellung entspricht. Alle Voreinstellungen finden Sie in der folgenden Tabelle.
6. Drücken Sie den Drehknopf, um eine Voreinstellung auszuwählen.
7. Drehen Sie den Drehknopf, um das Gewicht der Lebensmittel in kg einzustellen. Um beispielsweise 600 Gramm Lebensmittel aufzutauen, stellen Sie den Drehknopf auf **„0,6“**.
8. Drücken Sie die Soforttaste, um den Vorgang zu starten.
9. Wenn der Vorgang beendet ist, gibt das Gerät 3 Pieptöne ab und auf dem Display erscheint **END**.

Code	Art der Lebensmittel	Einstellungen
A1	Popcorn	85 - 100 gr
A2	Kartoffeln	0,45 - 0,65 kg
A3	Gemüse	0,1 - 0,5 kg
A4	Fleisch*	0,2 - 0,7 kg
A5	Fisch*	0,2 - 0,7 kg
A6	Geflügel*	0,2 - 0,7 kg
A7	Lasagne	0,2 - 1 kg
A8	Milch/Kaffee	0,25 - 0,5 kg
A9	Reis	0,1 - 0,5 kg
A10	Spaghetti**	0,1 - 0,5 kg
A11	Brot	0,1 - 0,5 kg
A12	Pizza	1-2 Artikel

* muss umgedreht oder umgerührt werden, wenn das Produkt piept

** Vor dem Kochen kochendes Wasser hinzufügen

Einstellung des Verzögerungstimer

- i** Der Verzögerungstimer kann nicht mit den Express- und programmierten Prozessen verwendet werden. Stellen Sie das gewünschte Programm ein. Vor Beginn des Vorgangs:
1. Halten Sie die Preset-Taste 3 Sekunden lang gedrückt. Die Stundenziffern blinken.
 - i** (In der Verzögerungs-Timer-Funktion stellen Sie die Zeit ein, zu der der Garvorgang beginnen soll. Damit der Timer funktioniert, muss die Uhr richtig eingestellt sein (siehe Kapitel „Einstellung der Uhrzeit“).
 2. Drehen Sie den Drehknopf, um die Stunde einzustellen.
 3. Drücken Sie die Preset-Taste. Die Minutenziffern beginnen zu blinken.
 4. Drehen Sie den Drehknopf, um die Minuten einzustellen.

- Drücken Sie die Taste „Preset“, um die Einstellung des Verzögerungstimers abzuschließen. Es ertönt ein Piepton und die Anzeige blinkt.
- Der Prozess beginnt, wenn die eingestellte Zeit erreicht ist.
- Um die eingestellte Zeit zu überprüfen, drücken Sie die Preset-Taste.
- Um den Timer zu stoppen, drücken Sie die Pause-Taste.

Aktivieren der Kindersicherung

- Halten Sie die Pause-Taste gedrückt **A10** 3 Sekunden lang gedrückt. Es ertönt ein Piepton, auf dem Display wird „OFF“ und ein Schlosssymbol angezeigt.
- Um die Kindersicherung zu deaktivieren, halten Sie die Pause-Taste 3 Sekunden lang gedrückt.

Garantie

Dieses Produkt ist für den Hausgebrauch bestimmt. Jegliche Änderungen und/oder Modifikationen am Produkt führen zum Erlöschen der Garantie. Wir können keine Haftung für Schäden übernehmen, die durch unsachgemäßen Gebrauch des Produkts verursacht werden. Normaler Verschleiß ist von der Garantie ausgeschlossen.

Haftungsausschluss

Aufgrund der ständigen Weiterentwicklung unserer Produkte in Bezug auf Funktion und Design behalten wir uns das Recht vor, Änderungen am Produkt ohne Vorankündigung vorzunehmen. Alle Logos, Marken und Produktnamen sind Warenzeichen oder eingetragene Warenzeichen der jeweiligen Inhaber und werden hiermit als solche anerkannt.

Entsorgung



Dieses Produkt ist für die getrennte Sammlung bei einer geeigneten Sammelstelle bestimmt. Entsorgen Sie das Produkt nicht mit dem Hausmüll. Für weitere Informationen wenden Sie sich bitte an Ihren Händler oder an die für die Abfallentsorgung zuständige Behörde.

EU-Konformitätserklärung

Wir erklären, dass dieses Produkt den geltenden EU-Richtlinien entspricht. Die EU-Konformitätserklärung ist auf unserer Website verfügbar oder kann auf Anfrage angefordert werden.

FR Guide d'utilisation rapide

Four à micro-ondes combiné

16330128 16330130
16330129 16330131



Pour plus d'informations, scannez le code QR sur la page de garde pour consulter le manuel complet.

À propos de ce document

Merci d'avoir acheté le Melissa Four à micro-ondes combiné. Ce document constitue le manuel de l'utilisateur. Il contient

toutes les informations nécessaires à une utilisation correcte, efficace et sûre du produit.

Assurez-vous d'avoir entièrement lu et compris les instructions de ce document avant d'installer ou d'utiliser le produit. Conservez l'emballage et le présent document pour référence ultérieure.

Symboles utilisés

▲ AVERTISSEMENT	Terme de signallement utilisé pour indiquer une situation potentiellement dangereuse qui, si elle n'est pas évitée, pourrait entraîner la mort ou des blessures graves.
▲ ATTENTION	Terme de signallement utilisé pour indiquer une situation potentiellement dangereuse qui, si elle n'est pas évitée, pourrait entraîner des blessures légères ou modérées.
AVIS	Terme de signallement utilisé pour désigner des pratiques non liées à des blessures physiques.

Utilisation prévue

Ce produit est un four à micro-ondes autonome.

Le produit est destiné à réchauffer des aliments et des boissons. Le séchage d'aliments ou de vêtements et le réchauffement de coussins chauffants, pantoufles, éponges, chiffons humides et autres articles similaires peuvent entraîner un risque de blessure, d'inflammation ou d'incendie.

Ce produit est prévu pour un usage intérieur uniquement.

Ce produit peut être utilisé par des enfants âgés de 8 ans et plus et par des personnes dont les capacités physiques, sensorielles ou mentales sont réduites ou qui manquent d'expérience et de connaissances, à condition qu'elles aient reçu une surveillance ou des instructions concernant l'utilisation du produit en toute sécurité et qu'elles comprennent les risques encourus. Les enfants ne doivent pas jouer avec le produit. Le nettoyage et l'entretien par l'utilisateur ne doivent pas être effectués par des enfants sans surveillance.

Ne pas laisser le produit être utilisé par des personnes ayant des capacités physiques, sensorielles ou mentales réduites ou manquant d'expérience et de connaissances sur la façon de l'utiliser.

Ce produit est destiné à être utilisé dans des applications domestiques et similaires telles que :

- espaces cuisine réservés au personnel dans les magasins, les bureaux et autres environnements de travail ;
- fermes ;
- par les clients dans les hôtels, motels et autres environnements de type résidentiel ;
- environnements de type chambres d'hôtes.

Le produit n'est pas destiné à un usage professionnel.

Toute modification du produit peut avoir des conséquences

sur la sécurité, la garantie et le bon fonctionnement.

Pièces principales (image A)

- | | |
|-----------------------------|----------------------|
| 1 Porte | 7 Affichage |
| 2 Grille de barbecue | 8 Molette |
| 3 Plateau tournant en verre | 9 Bouton Micro/Power |
| 4 Anneau tournant | 10 Bouton Pause |
| 5 Broche | 11 Bouton instantané |
| 6 Câble d'alimentation | 12 Bouton Preset |

Consignes de sécurité

Assurez-vous d'avoir entièrement lu et compris les instructions de ce document avant d'installer ou d'utiliser le produit. Conservez l'emballage et le présent document pour référence ultérieure.

N'utilisez le produit que de la manière décrite dans le présent document.

⚠ AVERTISSEMENT

Risque d'électrocution. L'ouverture du produit peut exposer des pièces sous tension.

- Ne démontez pas le produit ; il ne contient aucune pièce réparable par l'utilisateur.
- Ce produit ne doit être entretenu que par un technicien qualifié.
- Débranchez le produit de la source d'alimentation avant tout entretien et lors du remplacement de pièces.

Risque d'électrocution. Le contact avec l'eau peut exposer l'utilisateur à des pièces électriques sous tension.

- N'immergez pas le produit dans l'eau ou d'autres liquides.
- Déconnectez le produit de la source d'alimentation avant nettoyage.
- Ne placez pas le produit dans un lave-vaisselle.

Risque d'électrocution. Lorsque le câble d'alimentation est endommagé, le circuit électrique peut être exposé.

- Utilisez uniquement le câble d'alimentation fourni.
- Assurez-vous que le câble est complètement déroulé.
- Le câble ne doit pas être tordu ou enroulé autour du produit.
- Ne débranchez pas le produit en tirant sur le câble. Saisissez toujours la fiche et tirez.
- Ne pas laisser le câble d'alimentation pendre au bord d'une table ou d'un comptoir, ni toucher des surfaces chaudes.
- Maintenez toujours le câble d'alimentation et le produit éloignés des passages habituels.

Risque d'étincelles ou d'incendie. Certains matériaux peuvent s'enflammer lorsqu'ils sont exposés à un rayonnement micro-ondes.

- N'utilisez pas la grille dans les modes de cuisson micro-ondes ou combinés. La grille doit être placée sur le plateau tournant en verre et utilisée uniquement pour la cuisson au gril.
- N'utilisez que des ustensiles adaptés à une utilisation dans les fours à micro-ondes.

- Les récipients métalliques destinés à contenir des aliments et des boissons ne sont pas autorisés lors de la cuisson au micro-ondes.
- Utilisez uniquement la sonde de température recommandée pour ce four (pour les appareils équipés d'un dispositif permettant d'utiliser une sonde de température).
- Lorsque vous réchauffez des aliments dans des récipients en plastique ou en papier, surveillez le four car ils peuvent s'enflammer.

Risque d'incendie dû à un court-circuit. Les composants endommagés peuvent surchauffer et s'enflammer.

- N'utilisez pas le produit si une pièce est endommagée ou défectueuse ; remplacez-la immédiatement.
- Si le câble d'alimentation est endommagé, il doit être remplacé par un câble ou un ensemble spécial disponible auprès du fabricant ou de son agent de service.

Risque d'incendie dû à une surchauffe. Si le produit ne peut pas évacuer sa chaleur, il peut surchauffer et s'enflammer.

- Ne bloquez pas les ouvertures de ventilation.
- Ne retirez pas les pieds du produit.
- Veillez à toujours laisser suffisamment d'espace autour du produit.
- Lorsque le produit est placé dans une armoire, utilisez-le uniquement lorsque la porte de l'armoire est ouverte.

Risque d'incendie dû à une surchauffe. Lorsque le produit est utilisé sans rien à l'intérieur, il absorbe lui-même le rayonnement. Ne jamais mettre le produit en marche lorsqu'il est vide.

Risque de blessure. Le produit n'est pas conçu pour être utilisé par des enfants de moins de 8 ans.

- Surveillez constamment l'appareil pendant son utilisation.
- Surveillez les enfants qui se trouvent à proximité de l'appareil lorsqu'il est en marche.
- Ne laissez jamais les enfants ou les animaux domestiques jouer avec le produit.

Risque de blessures graves et de brûlures. Les surfaces chaudes et le fonctionnement sans surveillance peuvent causer des brûlures ou des blessures.

- Débranchez le produit de la source d'alimentation lorsqu'il n'est pas utilisé.
- Ne laissez jamais le produit sans surveillance en présence d'enfants et de personnes vulnérables.
- N'utilisez pas ce produit avec une minuterie externe ou un système de télécommande séparé.

Risque d'étouffement. Ne laissez pas les enfants jouer avec les matériaux d'emballage. Conservez toujours les matériaux d'emballage hors de portée des enfants.

Risque d'exposition aux rayonnements micro-ondes.

Tout dommage causé au produit peut entraîner une fuite de rayonnements micro-ondes :

- Il est dangereux pour toute personne autre qu'un technicien compétent d'effectuer toute opération

d'entretien ou de réparation nécessitant le retrait d'un capot qui protège contre l'exposition à l'énergie micro-ondes.

- Lorsque la porte est endommagée, des rayonnements peuvent s'échapper du produit. Si la porte, les joints de porte ou le système de verrouillage sont endommagés, cessez d'utiliser le produit et faites-le réparer par une personne compétente.

Risque de fumées toxiques ou d'incendie. Les résidus de nettoyage peuvent dégager des fumées nocives ou provoquer des étincelles. Essayez toujours tous les produits de nettoyage après utilisation.

⚠ ATTENTION

Risque de brûlures. Le produit, ainsi que les aliments et objets utilisés, peuvent devenir chauds pendant l'utilisation.

- Ne touchez pas la surface de ce produit pendant son utilisation.
- Les liquides et autres aliments ne doivent pas être chauffés dans des récipients hermétiques, car ils risquent d'exploser.
- Toujours remuer ou agiter le contenu des biberons et des petits pots pour bébés et vérifier la température avant la consommation, afin d'éviter les brûlures.
- Les œufs dans leur coquille et les œufs durs entiers ne doivent pas être chauffés au micro-ondes, car ils peuvent exploser, même après la fin du chauffage.
- Le chauffage des huiles ou des graisses dans le produit prend beaucoup de temps et le récipient devient extrêmement chaud. N'utilisez jamais le produit pour chauffer des huiles ou des graisses.

AVIS

Risque d'endommagement de la porte. La porte est équipée d'un mécanisme de sécurité qui la maintient fermée lorsque le produit est en cours d'utilisation. N'utilisez jamais une force excessive pour ouvrir la porte. Attendez toujours que la porte soit déverrouillée.

Risque de dommages dus à l'exposition à l'eau.

L'humidité peut endommager les composants électriques internes.

- Ne pas exposer le produit à l'eau, à la pluie, à la moiteur ou à une humidité élevée.
- Ne nettoyez pas le produit avec un nettoyeur à vapeur.

Risque de dommages. Le produit n'est pas protégé contre les chocs violents. Ne laissez pas tomber le produit et évitez les chocs.

Risque d'endommagement de la surface. Les produits nettoyeurs peuvent endommager la finition. N'utilisez pas de produits nettoyeurs chimiques agressifs pour nettoyer le produit.

Risque lié à un produit non hygiénique. L'utilisation du produit sans le plateau tournant en verre et sans récipient adapté peut entraîner une accumulation de saletés, voire la prolifération de bactéries. Utilisez toujours le produit avec le plateau tournant installé. Réchauffez toujours les aliments dans une assiette ou un récipient adapté au micro-ondes.

Explication des symboles sur le produit ou l'emballage

Icône	Description
-------	-------------



Indication de surface chaude. Tout contact peut provoquer des brûlures. Ne pas toucher.

Vérifier le contenu de l'emballage

Vérifiez que toutes les pièces sont présentes et qu'aucun dommage n'est visible sur celles-ci. Si des pièces manquent ou sont endommagées, contactez le service d'assistance via : support.melissa-online.com

Installer le produit

1. Retirez tous les emballages à l'intérieur et à l'extérieur du produit avant utilisation.
2. Placez le produit à la verticale sur une surface plane et stable, capable de supporter son poids (environ 12,5 kg).
i Il doit y avoir un espace libre d'au moins 10 cm à l'arrière, 5 cm sur les côtés et 20 cm en haut pour assurer une ventilation suffisante et éviter toute surchauffe. En cas d'installation dans une armoire, laissez la porte de l'armoire ouverte pendant l'utilisation.
3. Vérifiez si le plateau tournant en verre **A3** est correctement positionné sur la bague du plateau tournant **A4** et l'axe **A5**. La rainure située au bas du plateau tournant en verre doit être alignée avec les trois roues.
4. Branchez le câble d'alimentation **A6** dans une prise de courant.

L'affichage **A7** clignote trois fois.

Régler l'heure

1. Appuyez sur le bouton Preset et maintenez-le enfoncé **A2** pendant 3 secondes. Les chiffres des heures clignotent.
2. Tournez le cadran **A3** pour régler les heures.
3. Appuyez sur le bouton Preset. Les chiffres des minutes clignotent.
4. Tournez le cadran pour régler les minutes.
5. Appuyez sur le bouton Preset pour terminer le réglage de l'heure.

Utiliser le produit

Nous vous recommandons d'utiliser des récipients et des ustensiles en verre, en grès ou en plastique adaptés au micro-ondes. N'utilisez jamais les ustensiles suivants dans le produit :

- Bouteaux et bouteilles en verre scellés
- Bouteilles en verre à petite ouverture
- Boîtes et récipients fermés
- Thermomètres à usage général
- Feuille d'argent
- Papier recyclé
- Assiettes avec décorations en or ou en argent
- Conteneurs contenant tout métal

- i** Si vous souhaitez tester le micro-ondes sans aliments, utilisez un verre d'eau.

Fonctionnement rapide

- ❶ Pendant le processus, appuyez sur le bouton Pause pour mettre le processus en pause. Appuyez deux fois sur le bouton Pause pour annuler le processus.
- 1. Placez les aliments au centre du plateau tournant.
- 2. Fermez la porte.
- 3. Appuyez sur le bouton instantané **A11**. Le processus démarre immédiatement à pleine puissance pendant 1 minute.
- 4. En option, appuyez plusieurs fois sur le bouton instantané pour régler la minuterie.
- 5. Une fois le processus terminé, l'appareil émet 3 bips et l'écran affiche **END**.

Fonctionnement manuel

- 1. Placez les aliments au centre du plateau tournant.
- 2. Fermez la porte.
- 3. Appuyez sur le bouton Micro/Power **A9** à plusieurs reprises pour sélectionner la puissance micro-ondes souhaitée. L'écran affiche la puissance micro-ondes en pourcentage. Le tableau ci-dessous indique les puissances correspondantes.
- ❶ Outre la puissance micro-ondes, les programmes **_G**, **C1** et **C2** sont également disponibles. Pour plus d'informations, consultez les chapitres Utilisation de la fonction grill et Utilisation des programmes combinés.

100	800 W
80	640 W
60	480 W
40	320 W
20	160 W

- ❶ Les niveaux de puissance du micro-ondes sont affichés en pourcentage de la puissance maximale. Les valeurs de puissance correspondantes sont indicatives et non fixes.
- 4. Tournez le cadran pour sélectionner le temps de cuisson souhaité.
- ❶ Si vous le souhaitez, répétez les étapes 3 et 4 pour programmer plusieurs étapes. Vous pouvez programmer jusqu'à 4 étapes. Pendant le processus, lorsque le minuteur d'une étape est terminé, le produit passe automatiquement à l'étape suivante.
- 5. Appuyez sur le bouton instantané pour démarrer le processus. L'écran affiche le temps restant.
- ❶ Pour afficher la puissance du micro-ondes pendant le processus, appuyez sur le bouton Micro/Power.
- 6. Une fois le processus terminé, l'appareil émet 3 bips et l'écran affiche **END**.

Utilisation de la fonction grill

- ❶ Utilisez la fonction grill pour griller des viandes ou préparer des sandwichs grillés et des gratins.
- 1. Placez la grille sur le plateau tournant en verre.
- 2. Placez les aliments au milieu de la grille.
- 3. Fermez la porte.

- 4. Appuyez plusieurs fois sur le bouton Micro/Power jusqu'à ce que l'écran affiche **_G**.
- 5. Tournez le cadran pour sélectionner le temps de cuisson souhaité.
- 6. Appuyez sur le bouton instantané pour démarrer le processus. L'écran affiche le temps restant.

Utilisation des programmes combinés

- ❶ Les programmes combinés utilisent simultanément la fonction micro-ondes et la fonction grill.
- 1. Placez les aliments au centre du plateau tournant.
- 2. Fermez la porte.
- 3. Appuyez plusieurs fois sur le bouton Micro/Power jusqu'à ce que l'écran affiche **C1** ou **C2**.

Affichage	Fonctions	Plats
C1	30 % au micro-ondes, 70 % au grill	Poisson, pommes de terre ou gratins
C2	55 % au micro-ondes, 45 % au grill	Omelettes, pommes de terre au four ou volaille

Dégivrage

- ❶ Utilisez cette fonction pour décongeler la viande et les fruits de mer.
- 1. Pesez la quantité de nourriture et notez son poids.
- 2. Placez les aliments au centre du plateau tournant.
- 3. Fermez la porte.
- 4. Appuyez sur le bouton pré-réglé pour sélectionner le réglage de dégivrage approprié indiqué dans le tableau ci-dessous.

Code	Type d'aliment	Intervalle
D1	Viande	0,1 - 2 kg
D2	Volaille	0,2 - 3 kg
D3	Fruits de mer	0,1 - 0,9 kg

- 5. Tournez le cadran pour régler le poids des aliments en kg. Par exemple, pour décongeler 600 grammes d'aliments, réglez le cadran sur « **0,6** ».
- 6. Appuyez sur le bouton instantané pour démarrer le processus.

Lorsque le produit émet un bip pendant le processus :

- 7. Ouvrez la porte. Le processus s'interrompt.
- 8. Retournez les aliments ou, s'il s'agit de petits morceaux, secouez-les ou remuez-les.
- 9. Fermez la porte.
- 10. Appuyez sur le bouton instantané pour poursuivre le processus.
- 11. Une fois le processus terminé, l'appareil émet 3 bips et l'écran affiche **END**.

Utiliser les présélections

- 1. Pesez la quantité de nourriture et notez son poids.
- 2. Placez les aliments au centre du plateau tournant.
- 3. Fermez la porte.
- 4. Tournez le cadran d'un cran dans le sens inverse des

aiguilles d'une montre pour entrer dans le mode préréglé.

5. Tournez le cadran pour sélectionner le numéro correspondant au préréglage souhaité. Consultez le tableau ci-dessous pour connaître tous les préréglages.
6. Appuyez sur le cadran pour sélectionner un préréglage.
7. Tournez le cadran pour régler le poids des aliments en kg. Par exemple, pour décongeler 600 grammes d'aliments, réglez le cadran sur « **0,6** ».
8. Appuyez sur le bouton instantané pour démarrer le processus.
9. Une fois le processus terminé, l'appareil émet 3 bips et l'écran affiche **END**.

Code	Type d'aliment	Settings
A1	Popcorn	85 - 100 gr
A2	Pommes de terre	0,45 - 0,65 kg
A3	Légumes	0,1 - 0,5 kg
A4	Viande*	0,2 - 0,7 kg
A5	Poisson*	0,2 - 0,7 kg
A6	Volaille*	0,2 - 0,7 kg
A7	Lasagne	0,2 - 1 kg
A8	Lait/café	0,25 - 0,5 kg
A9	Riz	0,1 - 0,5 kg
A10	Spaghetti**	0,1 - 0,5 kg
A11	Pain	0,1 - 0,5 kg
A12	Pizza	1 à 2 articles

* doit être retourné ou remué lorsque le produit émet un bip sonore

** Il faut ajouter de l'eau bouillante avant la cuisson.

Réglage du temporisateur

i La minuterie de retard ne peut pas être utilisée avec les processus express et programmés.

Réglez le programme souhaité. Avant de démarrer le processus :

1. Appuyez sur le bouton Preset et maintenez-le enfoncé pendant 3 secondes. Les chiffres des heures clignotent.
- i** (Dans la fonction minuterie, vous réglez l'heure à laquelle le processus de cuisson doit démarrer. L'horloge doit être réglée correctement pour que la minuterie fonctionne (voir chapitre Réglage de l'heure).
2. Tournez le cadran pour régler l'heure.
3. Appuyez sur le bouton Preset. Les chiffres des minutes commencent à clignoter.
4. Tournez le cadran pour régler les minutes.
5. Appuyez sur le bouton Preset pour terminer le réglage du temporisateur. Un bip retentit et l'affichage clignote.
- i** Le processus démarre lorsque l'heure définie est atteinte.
6. Pour vérifier l'heure réglée, appuyez sur le bouton de préréglage.
7. Pour annuler le minuteur, appuyez sur le bouton pause.

Activation du verrouillage enfant

1. Appuyez sur le bouton Pause et maintenez-le enfoncé **A** pendant 3 secondes. Un bip retentit, l'écran affiche **OFF** et un symbole de verrouillage.
2. Pour désactiver le verrouillage enfant, appuyez sur le bouton pause et maintenez-le enfoncé pendant 3 secondes.

Garantie

Ce produit est destiné à un usage domestique. Tout changement et/ou modification du produit annule la garantie. Nous ne pouvons accepter aucune responsabilité pour les dommages causés par une utilisation inappropriée du produit. L'usure normale est exclue de la garantie.

Clause de non-responsabilité

En raison du développement constant de nos produits en termes de fonction et de conception, nous nous réservons le droit d'apporter des modifications au produit sans préavis. Tous les logos, marques et noms de produits sont des marques commerciales ou des marques déposées de leurs détenteurs respectifs et sont reconnus comme tels.

Traitement des déchets



Ce produit est destiné à être collecté séparément dans un point de collecte approprié. Ne pas jeter le produit avec les ordures ménagères. Pour plus d'informations, contactez le revendeur ou l'autorité locale responsable de la gestion des déchets.

Déclaration UE de conformité

Nous déclarons que ce produit est conforme à la législation européenne applicable. La Déclaration UE de conformité est disponible sur notre site internet ou peut être obtenue sur demande.

 **Snelstartgids**

Combi-magnetron

16330128 16330130
16330129 16330131



Scan voor meer informatie de QR-code op de voorpagina om de uitgebreide handleiding te bekijken.

Over dit document

Bedankt voor uw aankoop van de Melissa Combi-magnetron.

Dit document is de gebruikershandleiding en bevat alle informatie voor correct, efficiënt en veilig gebruik van het product.

Zorg ervoor dat u de instructies in dit document volledig gelezen en begrepen heeft voordat u het product installeert of gebruikt. Bewaar de verpakking en dit document voor toekomstig gebruik.

Gebruikte symbolen

⚠ WAAR-SCHUWING	Signaalwoord dat gebruikt wordt om een mogelijk gevaarlijke situatie aan te geven die, indien deze niet vermeden wordt, kan leiden tot de dood of ernstig letsel.
⚠ VOORZICHTIG	Signaalwoord dat gebruikt wordt om een mogelijk gevaarlijke situatie aan te geven die, indien deze niet vermeden wordt, kan leiden tot licht of matig letsel.
LET OP	Signaalwoord dat gebruikt wordt om praktijken aan te pakken die geen verband houden met lichamelijk letsel.

Bedoeld gebruik

Dit product is een vrijstaande magnetron.

Het product is bedoeld voor het verwarmen van voedsel en dranken. Het drogen van voedsel of kleding en het verwarmen van verwarmingskussens, pantoffels, sponzen, vochtige doeken en dergelijke kan leiden tot letsel, ontbranding of brand.

Dit product is uitsluitend bedoeld voor gebruik binnenshuis. Dit product kan worden gebruikt door kinderen vanaf 8 jaar en personen met beperkte fysieke, zintuiglijke of mentale capaciteiten of een gebrek aan ervaring en kennis, indien zij onder toezicht staan of instructie hebben gekregen over het veilige gebruik van het product en de gevaren ervan begrijpen. Kinderen mogen niet met het product spelen. Reiniging en onderhoud door de gebruiker mogen niet worden uitgevoerd door kinderen zonder toezicht.

Laat personen met verminderde fysieke, zintuiglijke of mentale vermogens of met een gebrek aan ervaring en kennis van de bediening het product niet gebruiken.

Dit product is bedoeld voor gebruik in huishoudelijke en soortgelijke toepassingen zoals:

- personeelskantines in winkels, kantoren en andere werkomgevingen;
- boerderijen;
- door klanten in hotels, motels en andere residentiële omgevingen;
- bed & breakfast-achtige omgevingen.

Het product is niet bedoeld voor professioneel gebruik.

Elke wijziging van het product kan gevolgen hebben voor de veiligheid, garantie en correcte werking.

Belangrijkste onderdelen (afbeelding A)

- | | |
|-----------------------|--------------------|
| 1 Deur | 7 Display |
| 2 Grillrooster | 8 Draaiknop |
| 3 Glazen draaiplateau | 9 Micro/Power knop |
| 4 Draaiplateauring | 10 Pauzeknop |
| 5 Spil | 11 Instant-knop |
| 6 Stroomkabel | 12 Preset-knop |

Veiligheidsvoorschriften

Zorg ervoor dat u de instructies in dit document volledig

gelezen en begrepen heeft voordat u het product installeert of gebruikt. Bewaar de verpakking en dit document voor toekomstig gebruik.

Gebruik het product alleen zoals beschreven in dit document.

⚠ WAARSCHUWING

Risico op elektrische schok. Als je het product opent, kun je in aanraking komen met onderdelen die onder spanning staan.

- Demonteer het product niet; er bevinden zich geen onderdelen in die door de gebruiker kunnen worden gerepareerd.
- Dit product mag alleen worden onderhouden door een gekwalificeerde technicus.
- Haal de stekker van het product uit de voedingsbron voor onderhoud en bij het vervangen van onderdelen.

Risico op elektrische schok. Contact met water kan de gebruiker blootstellen aan elektrische onderdelen die onder spanning staan.

- Dompel het product niet onder in water of andere vloeistoffen.
- Koppel het product los van de stroombron voordat u het reinigt.
- Plaats het product niet in de vaatwasser.

Risico op elektrische schok. Wanneer de stroomkabel beschadigd is, kan het elektrische circuit bloot komen te liggen.

- Gebruik alleen de meegeleverde stroomkabel.
- Zorg ervoor dat de kabel volledig is uitgetrokken.
- De kabel mag niet worden gedraaid of om het product worden gewikkeld.
- Trek de stekker niet uit het stopcontact door aan de kabel te trekken. Pak altijd de stekker vast en trek eraan.
- Laat het netsnoer niet over de rand van een tafel of toonbank hangen of met hete oppervlakken in contact komen.
- Houd het netsnoer en het product altijd uit de buurt van de gangbare looppaden.

Risico op vonken of brand. Sommige materialen kunnen brand veroorzaken wanneer ze worden blootgesteld aan microgolffstraling.

- Gebruik het grillrooster niet in de magnetron- of combinatiemodus. Het grillrooster moet op de glazen draaischijf worden geplaatst en mag alleen worden gebruikt voor grillgerechten.
- Gebruik alleen keukengerei dat geschikt is voor gebruik in magnetrons.
- Metalen bakjes voor voedsel en dranken zijn niet toegestaan tijdens het koken in de magnetron.
- Gebruik alleen de temperatuursensor die voor deze oven wordt aanbevolen (voor apparaten die zijn uitgerust met een temperatuursensor).
- Houd bij het opwarmen van voedsel in plastic of papieren bakjes de oven goed in de gaten vanwege de kans op ontbranding.

Brandgevaar door kortsluiting. Beschadigde onderdelen kunnen oververhit raken en ontbranden.

- Gebruik het product niet als een onderdeel beschadigd of defect is; vervang het onmiddellijk.
- Als het netsnoer beschadigd is, moet het worden vervangen met een speciale kabel of module dat verkrijgbaar is bij de fabrikant of zijn onderhoudsmonteur.

Brandgevaar door oververhitting. Als het product zijn warmte niet kan afvoeren, kan het oververhit raken en ontbranden.

- Blokkeer de ventilatieopeningen niet.
- Verwijder de voetjes niet van het product.
- Zorg altijd voor voldoende ruimte rondom het product.
- Wanneer het product in een kast wordt geplaatst, mag het alleen worden gebruikt met de kastdeur open.

Brandgevaar door oververhitting. Wanneer het product zonder inhoud wordt gebruikt, absorbeert het zelf de straling. Start het product nooit wanneer het leeg is.

Risico op letsel. Het product is niet bedoeld voor gebruik door kinderen jonger dan 8 jaar.

- Houd het apparaat tijdens het gebruik voortdurend in de gaten.
- Houd kinderen in de buurt van het apparaat in de gaten wanneer het in gebruik is.
- Laat kinderen of huisdieren nooit met het product spelen.

Risico op ernstig letsel en brandwonden. Hete oppervlakken en onbeheerd gebruik kunnen brandwonden of letsel veroorzaken.

- Koppel het product los van de stroombron wanneer het niet in gebruik is.
- Laat het product nooit onbeheerd achter wanneer er kinderen en kwetsbare personen aanwezig zijn.
- Gebruik dit product niet met een externe timer of een apart afstandsbedieningssysteem.

Verstikkingsgevaar. Laat kinderen niet met het verpakkingsmateriaal spelen buiten het bereik van kinderen.

Risico van blootstelling aan microgolflstraling. Schade aan het product kan ervoor zorgen dat microgolflstraling ontsnapt:

- Het is gevaarlijk voor iedereen behalve een bevoegd persoon om onderhouds- of reparatiewerkzaamheden uit te voeren waarbij een afdekking moet worden verwijderd die bescherming biedt tegen blootstelling aan microgolffenergie.
- Wanneer de deur beschadigd is, kan er straling uit het product ontsnappen. Als de deur, de deurafdichtingen of het vergrendelingsstelsel beschadigd zijn, stop dan met het gebruik van het product en laat het repareren door een bevoegd persoon.

Risico op giftige dampen of brand. Reinigingsresten kunnen schadelijke dampen vrijgeven of vonken veroorzaken. Veeg na het schoonmaken altijd alle reinigingsmiddelen weg.

VOORZICHTIG

Risico op brandwonden. Het product en de gebruikte voedingsmiddelen en voorwerpen kunnen tijdens het gebruik heet worden.

- Raak het oppervlak van dit product tijdens het gebruik niet aan.
- Vloeistoffen en andere voedingsmiddelen mogen niet in afgesloten containers worden verwarmd, omdat ze kunnen ontploffen.
- Roer of schud altijd de inhoud van zuigflessen en potjes babyvoeding en controleer de temperatuur voor consumptie, om brandwonden te voorkomen.
- Eieren in de schaal en hele hardgekookte eieren mogen niet in de magnetron worden verwarmd, omdat ze kunnen ontploffen, zelfs nadat het magnetronprogramma is beëindigd.
- Het verwarmen van oliën of vetten in het product duurt lang en de houder wordt extreem heet. Gebruik het product nooit om oliën en vetten te verwarmen.

LET OP

Risico op schade aan de deur. De deur is voorzien van een veiligheidsmechanisme dat ervoor zorgt dat de deur gesloten blijft wanneer het product in gebruik is. Gebruik nooit overmatige kracht bij het openen van de deur. Wacht altijd tot de deur ontgrendeld is.

Risico op schade door blootstelling aan water. Vocht kan interne elektrische onderdelen beschadigen.

- Stel het product niet bloot aan water, regen, vocht of hoge luchtvochtigheid.
- Reinig het product niet met een stoomreiniger.

Risico op schade. Het product is niet beschermd tegen zware schokken. Laat het product niet vallen en voorkom stoten.

Risico op beschadiging van het oppervlak.

Reinigingsmiddelen kunnen de afwerking beschadigen. Gebruik geen agressieve chemische reinigingsmiddelen bij het reinigen van het product.

Risico op een onhygiënisch product. Als u het product zonder de glazen draaischijf en een geschikte schaal gebruikt, kan er vuil ophopen en zelfs bacteriegroei ontstaan. Gebruik het product altijd met de draaischijf geïnstalleerd. Verwarm voedsel altijd op een magnetronbestendige schaal of in een magnetronbestendige schaal.

Verklaring van de symbolen op het product of de

verpakking
Pictogram Beschrijving



Indicatie dat aangeeft dat het oppervlak heet is. Contact kan brandwonden veroorzaken. Niet aanraken.

Inhoud van de verpakking controleren

Controleer of alle onderdelen aanwezig zijn en of er geen zichtbare schade aan de onderdelen is. Als er onderdelen

ontbreken of beschadigd zijn, neem dan contact op met de servicedesk via: support.melissa-online.com

Het product installeren

1. Verwijder alle verpakkingsmateriaal van de binnen- en buitenkant van het product voor gebruik.
2. Plaats het product rechtop op een vlakke en stabiele ondergrond die het gewicht van het product (ca. 12,5 kg) kan dragen.
- i** Er moet een vrije ruimte zijn van minimaal 10 cm aan de achterkant, 5 cm aan de zijkanten en 20 cm aan de bovenkant om voldoende ventilatie te garanderen en oververhitting te voorkomen. Wanneer het apparaat in een kast is geïnstalleerd, moet de deur van de kast tijdens het gebruik open blijven.
3. Controleer of de glazen draaitafel **A3** correct op de draaitafelring **A4** en spil **A5**. De groef aan de onderkant van de glazen draaitafel moet worden uitgelijnd met de drie wieltjes.
4. Sluit de stroomkabel aan **A6** in een stopcontact. Het display **A7** drie keer.

De tijd instellen

1. Houd de knop Preset ingedrukt **A12** gedrukt. De cijfers van het uur gaan knipperen.
2. Draai aan de knop **A9** om de uren in te stellen.
3. Druk op de knop Preset. De cijfers voor de minuten gaan knipperen.
4. Draai aan de knop om de minuten in te stellen.
5. Druk op de knop Preset om de tijdstelling te voltooien.

Het product gebruiken

Wij raden aan om glazen, stenen of magnetronbestendige plastic bakjes en keukengerei te gebruiken. Gebruik nooit het volgende keukengerei in het product:

- Verzegelde glazen potten en flessen
- Glazen flessen met kleine openingen
- Gesloten blikken en containers
- Thermometers voor algemeen gebruik
- Zilverfolie
- Gerecycled papier
- Borden met gouden of zilveren versieringen
- Containers die metaal bevatten

i Als u de magnetron zonder voedsel wilt testen, gebruik dan een glas water.

Snelle bediening

- i** Druk tijdens het proces op de pauzeknop om het proces te pauzeren. Druk tweemaal op de pauzeknop om het proces te annuleren.
1. Plaats het voedsel in het midden van de draaischijf.
2. Sluit de deur.
3. Druk op de instant-knop **A11**. Het proces start onmiddellijk op vol vermogen gedurende 1 minuut.
4. Druk eventueel herhaaldelijk op de instantknop om de timer aan te passen.
5. Wanneer het proces is voltooid, geeft het product 3

pieptonen en verschijnt **END** op het display.

Handmatige bediening

1. Plaats het voedsel in het midden van de draaischijf.
 2. Sluit de deur.
 3. Druk op de Micro/Power knop **A8** herhaaldelijk om het gewenste microgolff vermogen te selecteren. Het display geeft het microgolff vermogen weer in percentages. De onderstaande tabel toont de overeenkomstige wattages.
- i** Naast de magnetronfunctie zijn ook de programma's **_G**, **C1** en **C2** beschikbaar. Zie de hoofdstukken De grillfunctie gebruiken en De combinatieprogramma's gebruiken voor meer informatie.

100	800 W
80	640 W
60	480 W
40	320 W
20	160 W

- i** Het vermogen van de magnetron wordt weergegeven als percentage van het maximale vermogen. De bijbehorende wattagewaarden zijn indicatief en niet vast.
4. Draai aan de knop om de gewenste bereidingstijd te selecteren.
- i** Herhaal indien gewenst stap 3 en 4 om meerdere fasen te programmeren. Er kunnen maximaal 4 fasen worden geprogrammeerd. Wanneer de timer van een fase is afgelopen, gaat het product automatisch door naar de volgende fase.
5. Druk op de instantknop om het proces te starten. Het display geeft de resterende tijd weer.
- i** Om het microgolff vermogen tijdens het proces weer te geven, drukt u op de Micro/Power knop.
6. Wanneer het proces is voltooid, geeft het product 3 pieptonen en verschijnt **END** op het display.

De grillfunctie gebruiken

- i** Gebruik de grillfunctie voor het grillen van vlees of het maken van tosti's en gratins.
1. Plaats het grillrooster bovenop de glazen draaischijf.
2. Leg het voedsel in het midden van het grillrooster.
3. Sluit de deur.
4. Druk herhaaldelijk op de Micro/Power knop totdat het display **_G** weergeeft.
5. Draai aan de knop om de gewenste bereidingstijd te selecteren.
6. Druk op de instantknop om het proces te starten. Het display geeft de resterende tijd weer.

De combinatieprogramma's gebruiken

- i** Combinatieprogramma's gebruiken tegelijkertijd de magnetronfunctie en de grillfunctie.
1. Plaats het voedsel in het midden van de draaischijf.
2. Sluit de deur.
3. Druk herhaaldelijk op de Micro/Power knop totdat het

display **C1** of **C2** weergeeft.

Display	Functie	Gerechten
C1	30% magnetron, 70% grill	Vis, aardappelen of gratins
C2	55% magnetron, 45% grill	Omeletten, gebakken aardappelen of gevogelte

Ontdooien

- i** Gebruik deze functie om vlees en zeevruchten te ontdooien.
1. Weeg de hoeveelheid voedsel af en onthoud het gewicht.
 2. Plaats het voedsel in het midden van de draaischijf.
 3. Sluit de deur.
 4. Druk op de voorkeuzeknop om de juiste ontdooi-instelling te selecteren, zoals weergegeven in de onderstaande tabel.

Code	Soort voedsel	Interval
D1	Vlees	0,1 - 2 kg
D2	Gevogelte	0,2 - 3 kg
D3	Zeevruchten	0,1 - 0,9 kg

5. Draai aan de knop om het gewicht van het voedsel in kg in te stellen. Als u bijvoorbeeld 600 gram voedsel wilt ontdooien, stelt u de knop in op "**0,6**".
6. Druk op de instantsknop om het proces te starten. Wanneer het product tijdens het proces piept:
7. Open de deur. Het proces wordt onderbroken.
8. Draai het voedsel ondersteboven, of schud of roer het in het geval van kleinere stukjes voedsel.
9. Sluit de deur.
10. Druk op de instantsknop om het proces voort te zetten.
11. Wanneer het proces is voltooid, geeft het product 3 pieptonen en verschijnt **END** op het display.

Voorkeuzezenders gebruiken

1. Weeg de hoeveelheid voedsel af en onthoud het gewicht.
2. Plaats het voedsel in het midden van de draaischijf.
3. Sluit de deur.
4. Draai de knop één stap tegen de klok in om de voorkeursmodus te openen.
5. Draai aan de knop om het nummer te selecteren dat overeenkomt met de gewenste voorinstelling. Zie de onderstaande tabel voor alle voorinstellingen.
6. Druk op de draaiknop om een voorinstelling te selecteren.
7. Draai aan de knop om het gewicht van het voedsel in kg in te stellen. Als u bijvoorbeeld 600 gram voedsel wilt ontdooien, stelt u de knop in op "**0,6**".
8. Druk op de instantsknop om het proces te starten.
9. Wanneer het proces is voltooid, geeft het product 3 pieptonen en verschijnt **END** op het display.

Code	Soort voedsel	Instellingen
A1	Popcorn	85 - 100 gr
A2	Aardappelen	0,45 - 0,65 kg
A3	Groenten	0,1 - 0,5 kg
A4	Vlees*	0,2 - 0,7 kg
A5	Vis*	0,2 - 0,7 kg
A6	Gevogelte*	0,2 - 0,7 kg
A7	Lasagne	0,2 - 1 kg
A8	Melk/koffie	0,25 - 0,5 kg
A9	Rijst	0,1 - 0,5 kg
A10	Spaghetti**	0,1 - 0,5 kg
A11	Brood	0,1 - 0,5 kg
A12	Pizza	1 - 2 artikelen

* moet worden omgedraaid of geroerd wanneer het product piept

** moet kokend water toevoegen voor het koken

De vertragingstimer instellen

- i** De vertragingstimer kan niet worden gebruikt bij de express- en geprogrammeerde processen.
- Stel het gewenste programma in. Voordat u het proces start:
1. Houd de knop Preset 3 seconden ingedrukt. De cijfers voor het uur gaan knipperen.
 - i** (In de vertragingstimerfunctie stelt u het tijdstip in waarop het kookproces moet beginnen. De klok moet correct zijn ingesteld om de timer te laten werken (zie hoofdstuk De tijd instellen).
 2. Draai aan de knop om het uur in te stellen.
 3. Druk op de knop Preset. De cijfers voor de minuten beginnen te knipperen.
 4. Draai aan de knop om de minuten in te stellen.
 5. Druk op de knop Preset om de instelling van de vertragingstimer te voltooiën. Er klinkt een pieptoon en het display knippert.
 - i** Het proces begint wanneer de ingestelde tijd is bereikt.
 6. Om de ingestelde tijd te controleren, drukt u op de presetknop.
 7. Om de timer te annuleren, drukt u op de pauzeknop.

De kinderslot activeren

1. Houd de pauzeknop ingedrukt **A10** gedrukt. Er klinkt een pieptoon, op het display verschijnt **OFF** en een slotsymbool.
2. Om de kinderslot te deactiveren, houdt u de pauzeknop 3 seconden ingedrukt.

Garantie

Dit product is bedoeld voor huishoudelijk gebruik. Bij wijzigingen en/of aanpassingen aan het product vervalt de garantie. We kunnen geen aansprakelijkheid aanvaarden voor schade veroorzaakt door onjuist gebruik van het product. Normale slijtage is uitgesloten van garantie.

Disclaimer

Vanwege de constante ontwikkeling van onze producten op het gebied van functie en ontwerp, behouden wij ons het recht voor om zonder voorafgaande kennisgeving wijzigingen aan het product aan te brengen. Alle logo's, merken en productnamen zijn handelsmerken of gedeponeerde handelsmerken van hun respectieve houders en worden hierbij als zodanig erkend.

Afdanking



Dit product is bestemd voor gescheiden inzameling bij een geschikt inzamelpunt. Gooi het product niet weg met het huishoudelijk afval.

Neem voor meer informatie contact op met de winkelier of met de plaatselijke instantie die verantwoordelijk is voor afvalverwerking.

EU-conformiteitsverklaring

Wij verklaren dat dit product voldoet aan de relevante EU-wetgeving. De EU-conformiteitsverklaring is beschikbaar op onze website of kan op verzoek worden verkregen.

IT Guida rapida all'avvio

Forno a microonde combinato

16330128 16330130
16330129 16330131



Per ulteriori informazioni, scansionare il codice QR sulla prima pagina per visualizzare il manuale esteso.

Informazioni sul documento

Grazie per aver acquistato il Melissa Forno a microonde combinato.

Il presente documento è il manuale utente e contiene tutte le informazioni per l'utilizzo corretto, efficiente e sicuro del prodotto.

Assicurarsi di aver letto e compreso pienamente le istruzioni presenti nel documento prima di installare o utilizzare il prodotto. Conservare la confezione e il presente documento per farvi riferimento in futuro.

Simboli usati

⚠ AVVERTENZA	Parola di avvertimento usata per indicare una situazione potenzialmente pericolosa che, se non evitata, potrebbe provocare morte o lesioni gravi.
⚠ ATTENZIONE	Parola di avvertimento usata per indicare una situazione potenzialmente pericolosa che, se non evitata, potrebbe provocare lesioni di minore o moderata entità.
AVVISO	Parola di avvertimento usata per riferirsi a pratiche non collegate a lesioni fisiche.

Usò previsto

Questo prodotto è un forno a microonde indipendente.

Il prodotto è destinato al riscaldamento di alimenti e bevande. L'asciugatura di alimenti o indumenti e il riscaldamento di cuscini riscaldanti, pantofole, spugne, panni umidi e simili può comportare il rischio di lesioni, incendio o incendio.

Questo prodotto è inteso solo per utilizzo in interni.

Questo prodotto può essere utilizzato da bambini di età pari o superiore a 8 anni e da persone con ridotte capacità fisiche, sensoriali o mentali o con mancanza di esperienza e conoscenza, a condizione che abbiano ricevuto supervisione o istruzioni sull'uso del prodotto in modo sicuro e che comprendano i pericoli connessi. I bambini non devono giocare con il prodotto. La pulizia e la manutenzione da parte dell'utente non devono essere eseguite da bambini senza supervisione.

Non lasciare che persone con capacità fisiche, sensoriali o mentali ridotte o mancanza di esperienza e conoscenza utilizzino il prodotto.

Questo prodotto è inteso per l'utilizzo domestico o equivalente, ad esempio:

- aree cucina per il personale nei negozi, negli uffici e in altri ambienti di lavoro;
- case coloniche;
- da parte dei clienti in hotel, motel e altri ambienti di tipo residenziale;
- alloggi di tipo bed and breakfast.

Il prodotto non è inteso per utilizzi professionali.

Eventuali modifiche al prodotto possono comportare conseguenze per la sicurezza, la garanzia e il corretto funzionamento.

Parti principali (immagine A)

- 1 Porta
- 2 Griglia
- 3 Piatto girevole in vetro
- 4 Anello girevole
- 5 Mandrino
- 6 Cavo di alimentazione
- 7 Display
- 8 Selettore
- 9 Pulsante Micro/Power
- 10 Pulsante Pausa
- 11 Pulsante istantaneo
- 12 Pulsante Preset

Istruzioni di sicurezza

Assicurarsi di aver letto e compreso pienamente le istruzioni presenti nel documento prima di installare o utilizzare il prodotto. Conservare la confezione e il presente documento per farvi riferimento in futuro.

Utilizzare il prodotto solo come descritto in questo documento.

⚠ AVVERTENZA

Rischio di scossa elettrica. L'apertura del prodotto può esporre parti sotto tensione.

- Non smontare il prodotto; all'interno non sono presenti parti riparabili dall'utente.
- La manutenzione di questo prodotto deve essere effettuata esclusivamente da un tecnico qualificato.

- Scollegare il prodotto dalla sorgente di alimentazione prima di effettuare la manutenzione e durante la sostituzione delle parti.

Rischio di scossa elettrica. Il contatto con l'acqua può esporre l'utente a parti elettriche sotto tensione.

- Non immergere il prodotto in acqua o altri liquidi.
- Prima della pulizia scollegare il prodotto dalla sorgente di alimentazione.
- Non mettere il prodotto in lavastoviglie.

Rischio di scossa elettrica. Quando il cavo di alimentazione è danneggiato, il circuito elettrico può rimanere esposto.

- Utilizzare esclusivamente il cavo di alimentazione in dotazione.
- Assicurarsi che il cavo sia completamente esteso.
- Il cavo non deve essere attorcigliato o avvolto attorno al prodotto.
- Non scollegare il prodotto tirandolo per il cavo. Afferrare sempre la presa e tirare.
- Non lasciar penzolare il cavo di alimentazione dal bordo di un tavolo o di un piano da cucina, né lasciare che tocchi le superfici calde.
- Tenere sempre il cavo di alimentazione e il prodotto lontani dai luoghi in cui si è soliti camminare.

Rischio di scintille o incendio. Alcuni materiali possono incendiarsi se esposti alle radiazioni delle microonde.

- Non utilizzare la griglia nelle modalità di cottura a microonde o combinata. La griglia deve essere posizionata sul piatto girevole in vetro e utilizzata solo per la cottura alla griglia.
- Utilizzare solo utensili adatti all'uso nel forno a microonde.
- I contenitori metallici per alimenti e bevande non sono consentiti durante la cottura a microonde.
- Utilizzare esclusivamente la sonda di temperatura raccomandata per questo forno (per gli elettrodomestici dotati di un dispositivo che consente l'uso di una sonda di rilevamento della temperatura).
- Quando riscaldate alimenti in contenitori di plastica o carta, tenete d'occhio il forno poiché potrebbero incendiarsi.

Rischio di incendio dovuto a cortocircuito. I

componenti **danneggiati** possono surriscaldarsi e incendiarsi.

- Non utilizzare il prodotto se una qualsiasi delle sue parti è danneggiata o difettosa; sostituirlo immediatamente.
- Se il cavo di alimentazione è danneggiato, deve essere sostituito da un cavo o gruppo speciale disponibile presso il produttore o un agente di servizio.

Rischio di incendio dovuto al surriscaldamento. Se il prodotto non riesce a dissipare il calore, può surriscaldarsi e incendiarsi.

- Non ostruire le aperture di ventilazione.
- Non rimuovere i piedini dal prodotto.
- Assicurarsi sempre che vi sia spazio sufficiente intorno al prodotto.
- Quando il prodotto è collocato in un armadio, utilizzarlo

solo con lo sportello dell'armadio aperto.

Rischio di incendio dovuto al surriscaldamento. Quando il prodotto viene utilizzato senza alcun contenuto al suo interno, assorbe le radiazioni. Non avviare mai il prodotto quando è vuoto.

Rischio di lesioni. Il prodotto non è progettato per essere utilizzato da bambini di età inferiore agli 8 anni.

- Tenere l'apparecchio sotto costante supervisione durante l'uso.
- Tenere sotto controllo i bambini che si trovano nelle vicinanze dell'apparecchio quando è in funzione.
- Non consentire mai ai bambini o agli animali domestici di giocare con il prodotto.

Rischio di lesioni gravi e ustioni. Le superfici calde e il funzionamento senza supervisione possono causare ustioni o lesioni.

- Scollegare il prodotto dalla fonte di alimentazione quando non è in uso.
- Non lasciare mai il prodotto incustodito in presenza di bambini e persone vulnerabili.
- Non utilizzare questo prodotto con un timer esterno o un sistema di controllo remoto separato.

Rischio di soffocamento. Non lasciare che i bambini giochino con il materiale di imballaggio. Tenere sempre il materiale di imballaggio fuori dalla portata dei bambini.

Rischio di esposizione alle radiazioni a microonde. I danni al prodotto possono causare la fuoriuscita di radiazioni a microonde:

- È pericoloso per chiunque non sia una persona competente eseguire qualsiasi operazione di manutenzione o riparazione che comporti la rimozione di un coperchio che protegge dall'esposizione all'energia a microonde.
- Quando lo sportello è danneggiato, le radiazioni potrebbero fuoriuscire dal prodotto. Se lo sportello, le guarnizioni dello sportello o il sistema di chiusura sono danneggiati, smettere di utilizzare il prodotto e farlo riparare da una persona competente.

Rischio di fumi tossici o incendio. I residui dei prodotti per la pulizia possono rilasciare fumi nocivi o causare scintille. Rimuovere sempre tutti i prodotti per la pulizia dopo l'uso.

⚠ ATTENZIONE

Rischio di ustioni. Il prodotto, gli alimenti e gli oggetti utilizzati possono diventare caldi durante l'uso.

- Non toccare la superficie di questo prodotto durante l'uso.
- I liquidi e altri alimenti non devono essere riscaldati in contenitori sigillati poiché potrebbero esplodere.
- Mescolare o agitare sempre il contenuto dei biberon e dei vasetti di omogeneizzati e controllarne la temperatura prima del consumo, al fine di evitare scottature.
- Le uova con il guscio e le uova sode intere non devono essere riscaldate nel forno a microonde poiché potrebbero esplodere, anche dopo che il riscaldamento è terminato.

- Il riscaldamento di oli o grassi nel prodotto richiede molto tempo e il contenitore diventa estremamente caldo. Non utilizzare mai il prodotto per riscaldare oli e grassi.

AVVISO

Rischio di danni alla porta. La porta è dotata di un meccanismo di sicurezza che la mantiene chiusa quando il prodotto è in funzione. Non esercitare mai una forza eccessiva durante l'apertura della porta. Attendere sempre che la porta sia sbloccata.

Rischio di danni dovuti all'esposizione all'acqua.

L'umidità può danneggiare le parti elettriche interne.

- Non esporre il prodotto all'acqua, alla pioggia, all'umidità o all'umidità elevata.
- Non pulire il prodotto con un pulitore a vapore.

Rischio di danni. Il prodotto non è protetto contro gli urti violenti. Non far cadere il prodotto ed evitare gli urti.

Rischio di danni alla superficie. I **detergenti** possono danneggiare la finitura. Non utilizzare detergenti chimici aggressivi per pulire il prodotto.

Rischio di prodotto non igienico. L'uso del prodotto senza il piatto girevole in vetro e un contenitore adeguato può causare l'accumulo di sporco e persino la proliferazione batterica. Utilizzare sempre il prodotto con il piatto girevole installato. Riscaldare sempre gli alimenti su un piatto o un contenitore adatto al microonde.

Spiegazione dei simboli sul prodotto o sulla confezione



Descrizione

Indicazione di superficie bollente. Il contatto può causare ustioni. Non toccare.

Controllare i contenuti della confezione

Verificare che tutte le parti siano presenti e che non siano visibili danni sulle parti. Se alcune parti sono mancanti o danneggiate, contattare il servizio di assistenza tramite: support.melissa-online.com

Installazione del prodotto

1. Rimuovere tutti gli imballaggi dall'interno e dall'esterno del prodotto prima dell'uso.
2. Posizionare il prodotto in posizione verticale su una superficie piana e stabile, in grado di sostenere il peso del prodotto (circa 12,5 kg).

i È necessario lasciare uno spazio libero di almeno 10 cm sul retro, 5 cm sui lati e 20 cm nella parte superiore per garantire una ventilazione sufficiente ed evitare il surriscaldamento. Se installato in un armadio, tenere la porta dell'armadio aperta durante l'uso.

3. Controllare se il piatto girevole in vetro **A6** sia posizionata correttamente sull'anello del piatto girevole **A5** e il perno **A5**. La scanalatura sul fondo del piatto girevole in vetro deve essere allineata con le tre rotelle.
4. Collegare il cavo di alimentazione **A6** a una presa di corrente.

Il display **A7** lampeggia tre volte.

Impostazione dell'ora

1. Tenere premuto il pulsante Preset **A12** per 3 secondi. Le cifre delle ore lampeggiano.
2. Girare la manopola **A9** per impostare le ore.
3. Premere il pulsante Preset. Le cifre dei minuti lampeggiano.
4. Girare la manopola per impostare i minuti.
5. Premere il pulsante Preset per completare l'impostazione dell'ora.

Utilizzo del prodotto

Si consiglia di utilizzare vaschette contenitori e utensili in vetro, gres o plastica adatti al microonde. Non utilizzare mai i seguenti utensili nel prodotto:

- Barattoli e bottiglie di vetro sigillati
 - Bottiglie di vetro con aperture piccole
 - Barattoli e contenitori chiusi
 - Termometri per uso generico
 - Foglio d'argento
 - Carta riciclata
 - Piatti con decorazioni in oro o argento
 - Contenitori contenenti qualsiasi metallo
- i** Se desideri testare il microonde senza cibo, usa un bicchiere d'acqua.

Funzionamento rapido

- i** Durante il processo, premere il pulsante di pausa per mettere in pausa il processo. Premere due volte il pulsante di pausa per annullare il processo.
1. Posizionare il cibo al centro del piatto girevole.
 2. Chiudi la porta.
 3. Premi il pulsante istantaneo **A11**. Il processo inizia immediatamente alla massima potenza per 1 minuto.
 4. Facoltativamente, premere ripetutamente il pulsante istantaneo per regolare il timer.
 5. Al termine del processo, il prodotto emette 3 segnali acustici e sul display compare **la scritta END**.

Funzionamento manuale

1. Posizionare il cibo al centro del piatto girevole.
 2. Chiudi la porta.
 3. Premere il pulsante Micro/Power **A8** ripetutamente per selezionare la potenza desiderata. Il display mostra la potenza in percentuale. La tabella sottostante riporta i corrispondenti valori in watt.
- i** Oltre alla potenza del microonde, sono disponibili anche i programmi _G, C1 e C2. Per ulteriori informazioni, consultare i capitoli Utilizzo della funzione grill e Utilizzo dei programmi combinati.

100	800 W
80	640 W
60	480 W
40	320 W
20	160 W

- ❶ I livelli di potenza delle microonde sono indicati in percentuale rispetto alla potenza massima. I valori di potenza corrispondenti sono indicativi e non fissi.
- 4. Ruotare la manopola per selezionare il tempo di cottura desiderato.
- ❶ Se lo si desidera, ripetere i passaggi 3 e 4 per programmare più fasi. È possibile programmare fino a 4 fasi. Durante il processo, al termine del timer di una fase, il prodotto passa automaticamente alla fase successiva.
- 5. Premere il pulsante istantaneo per avviare il processo. Il display mostra il tempo rimanente.
- ❶ Per visualizzare la potenza del microonde durante il processo, premere il pulsante Micro/Power.
- 6. Al termine del processo, il prodotto emette 3 segnali acustici e sul display compare **la scritta END**.

Utilizzo della funzione grill

- ❶ Utilizza la funzione grill per grigliare la carne o preparare toast e gratin.
- 1. Posizionare la griglia sopra il piatto girevole in vetro.
- 2. Posizionare il cibo al centro della griglia.
- 3. Chiudi la porta.
- 4. Premere ripetutamente il pulsante Micro/Power fino a quando il display non visualizza **_G**.
- 5. Ruotare la manopola per selezionare il tempo di cottura desiderato.
- 6. Premere il pulsante istantaneo per avviare il processo. Il display mostra il tempo rimanente.

Utilizzo dei programmi combinati

- ❶ I programmi combinati utilizzano contemporaneamente la funzione microonde e la funzione grill.
- 1. Posizionare il cibo al centro del piatto girevole.
- 2. Chiudi la porta.
- 3. Premere ripetutamente il pulsante Micro/Power fino a quando il display non mostra **C1** o **C2**.

Display	Funzione	Piatti
C1	30% microonde, 70% grill	Pesce, patate o gratin
C2	55% microonde, 45% grill	Omelette, patate al forno o pollame

Sbrinamento

- ❶ Utilizza questa funzione per scongelare carne e pesce.
- 1. Pesare la quantità di cibo e ricordarne il peso.
- 2. Posizionare il cibo al centro del piatto girevole.
- 3. Chiudi la porta.
- 4. Premere il pulsante preimpostato per selezionare l'impostazione di sbrinamento corretta indicata nella tabella sottostante.

Codice	Tipo di cibo	Intervallo
D1	Carne	0,1 - 2 kg
D2	Pollame	0,2 - 3 kg
D3	Frutti di mare	0,1 - 0,9 kg

- 5. Ruotare la manopola per impostare il peso degli alimenti in kg. Ad esempio, per scongelare 600 grammi di alimenti, impostare la manopola su **"0,6"**.
- 6. Premere il pulsante istantaneo per avviare il processo. Quando il prodotto emette un segnale acustico durante il processo:
- 7. Apri la porta. Il processo si interrompe.
- 8. Capovolgilo il cibo oppure, se si tratta di pezzi più piccoli, scuotilo o mescolalo.
- 9. Chiudi la porta.
- 10. Premere il pulsante istantaneo per continuare il processo.
- 11. Al termine del processo, il prodotto emette 3 segnali acustici e sul display compare **la scritta END**.

Utilizzo delle preimpostazioni

- 1. Pesare la quantità di cibo e ricordarne il peso.
- 2. Posizionare il cibo al centro del piatto girevole.
- 3. Chiudi la porta.
- 4. Ruotare la manopola di un passo in senso antiorario per accedere alla modalità preimpostata.
- 5. Ruotare la manopola per selezionare il numero corrispondente alla preimpostazione desiderata. Vedere la tabella sottostante per tutte le preimpostazioni.
- 6. Premere la manopola per selezionare un preset.
- 7. Ruotare la manopola per impostare il peso degli alimenti in kg. Ad esempio, per scongelare 600 grammi di alimenti, impostare la manopola su **"0,6"**.
- 8. Premere il pulsante istantaneo per avviare il processo.
- 9. Al termine del processo, il prodotto emette 3 segnali acustici e sul display compare **la scritta END**.

Codice	Tipo di cibo	Impostazioni
A1	Popcorn	85 - 100 gr
A2	Patate	0,45 - 0,65 kg
A3	Verdure	0,1 - 0,5 kg
A4	Carne*	0,2 - 0,7 kg
A5	Pesce*	0,2 - 0,7 kg
A6	Pollame*	0,2 - 0,7 kg
A7	Lasagne	0,2 - 1 kg
A8	Latte/caffè	0,25 - 0,5 kg
A9	Riso	0,1 - 0,5 kg
A10	Spaghetti**	0,1 - 0,5 kg
A11	Pane	0,1 - 0,5 kg
A12	Pizza	1 - 2 articoli

* deve essere girato o mescolato quando il prodotto emette un segnale acustico

** È necessario aggiungere acqua bollente prima della cottura.

Impostazione del timer di ritardo

- ❶ Il timer di ritardo non può essere utilizzato con i processi espressi e programmati.
- Imposta il programma desiderato. Prima di avviare il processo:

Horno microondas combinado

16330128 16330130
16330129 16330131



Para más información, escanee el código QR de la portada para ver el manual ampliado.

Acerca de este documento

Gracias por comprar el Melissa Horno microondas combinado.

Este documento es el manual del usuario y contiene toda la información para un uso correcto, eficiente y seguro del producto.

Asegúrese de que ha leído y entendido completamente las instrucciones en este documento antes de instalar o utilizar el producto. Guarde el embalaje y este documento para futuras consultas.

Símbolos utilizados

ADVERTENCIA	Palabra de advertencia utilizada para indicar una situación potencialmente peligrosa que, si no se evita, podría provocar la muerte o lesiones graves.
ATENCIÓN	Palabra de advertencia utilizada para indicar una situación potencialmente peligrosa que, si no se evita, podría provocar lesiones leves o moderadas.
AVISO	Palabra de advertencia utilizada para abordar prácticas que no tienen que ver con lesiones físicas.

Uso previsto por el fabricante

Este producto es un horno microondas independiente.

El producto está diseñado para calentar alimentos y bebidas. El secado de alimentos o ropa y el calentamiento de almohadillas térmicas, zapatillas, esponjas, paños húmedos y similares puede provocar lesiones, ignición o incendio.

Este producto está diseñado únicamente para uso en interiores.

Este producto puede ser utilizado por niños a partir de 8 años y por personas con capacidades físicas, sensoriales o mentales reducidas o con falta de experiencia y conocimientos si han recibido supervisión o instrucciones sobre el uso del producto de forma segura y comprenden los peligros que conlleva. Los niños no deben jugar con el producto. La limpieza y el mantenimiento no deben ser realizados por niños sin supervisión.

No permita que usen el producto personas con capacidades físicas, sensoriales o mentales disminuidas o con falta de experiencia en cuanto al funcionamiento.

Este producto está diseñado para ser utilizado en aplicaciones domésticas y similares, como:

- Zonas de cocina para el personal en tiendas, oficinas y otros entornos laborales.
- casas rurales;
- por clientes en hoteles, moteles y otros entornos de tipo residencial;

1. Tenere premuto il pulsante Preset per 3 secondi. Le cifre delle ore lampeggiano.

(Nella funzione timer di ritardo, è possibile impostare l'ora in cui deve iniziare il processo di cottura. Affinché il timer funzioni correttamente, è necessario che l'orologio sia impostato correttamente (vedere il capitolo Impostazione dell'ora).

2. Girare la manopola per impostare l'ora.

3. Premere il pulsante Preset. Le cifre dei minuti iniziano a lampeggiare.

4. Girare la manopola per impostare i minuti.

5. Premere il pulsante Preset per completare l'impostazione del timer di ritardo. Si sente un segnale acustico e il display lampeggia.

Il processo inizia quando viene raggiunto il tempo impostato.

6. Per controllare l'ora impostata, premere il pulsante di preselezione.

7. Per annullare il timer, premere il pulsante di pausa.

Attivazione del blocco bambini

1. Tieni premuto il pulsante di pausa **A10** per 3 secondi. Si sente un segnale acustico, il display mostra **OFF** e un simbolo di lucchetto.

2. Per disattivare il blocco bambini, tenere premuto il pulsante di pausa per 3 secondi.

Garanzia

Questo prodotto è destinato all'uso domestico. Qualsiasi cambiamento e/o modifica al prodotto invalida la garanzia. Non possiamo accettare alcuna responsabilità per danni causati da un uso improprio del prodotto. La normale usura è esclusa dalla garanzia.

Esclusione di responsabilità

A causa del costante sviluppo dei nostri prodotti in termini di funzionalità e design, ci riserviamo il diritto di apportare modifiche al prodotto senza preavviso. Tutti i loghi, i marchi e i nomi dei prodotti sono marchi o marchi registrati dei rispettivi proprietari e sono riconosciuti come tali.

Smaltimento



Questo prodotto è destinato alla raccolta differenziata presso un punto di raccolta appropriato. Non smaltire il prodotto con i rifiuti domestici. Per ulteriori informazioni, contattare il rivenditore o l'autorità locale responsabile della gestione dei rifiuti.

Dichiarazione UE di conformità

Dichiariamo che questo prodotto è conforme alla normativa UE applicabile. La Dichiarazione UE di conformità è disponibile sul nostro sito web o può essere richiesta su richiesta.

- Entornos tipo alojamiento y desayuno.

El producto no está diseñado para un uso profesional. Cualquier modificación del producto puede tener consecuencias para la seguridad, la garantía y el funcionamiento adecuado.

Partes principales (imagen A)

- | | |
|------------------------------|----------------------|
| 1 Puerta | 7 Visualización |
| 2 Parrilla | 8 Dial |
| 3 Plato giratorio de cristal | 9 Botón Micro/Power |
| 4 Anillo giratorio | 10 Botón de pausa |
| 5 Eje | 11 Botón instantáneo |
| 6 Cable de alimentación | 12 Botón Preset |

Instrucciones de seguridad

Asegúrese de que ha leído y entendido completamente las instrucciones en este documento antes de instalar o utilizar el producto. Guarde el embalaje y este documento para futuras consultas.

Utilice el producto únicamente como se describe en este documento.

⚠ ADVERTENCIA

Riesgo de descarga eléctrica. Al abrir el producto pueden quedar al descubierto piezas que conducen la electricidad.

- No desmonte el producto; no hay piezas reparables por el usuario en su interior.
- Este producto sólo puede ser revisado por un técnico cualificado para su mantenimiento.
- Desconecte el producto de la fuente de alimentación antes de hacer una revisión y al sustituir piezas.

Riesgo de descarga eléctrica. El contacto con el agua puede exponer al usuario a piezas eléctricas bajo tensión.

- No sumerja el producto en agua ni en otros líquidos.
- Desenchufe el producto de la toma de corriente antes de limpiarlo.
- No coloque el producto en el lavavajillas.

Riesgo de descarga eléctrica. Cuando el cable de alimentación está dañado, el circuito eléctrico puede quedar expuesto.

- Utilice solamente el cable de alimentación suministrado.
- Asegúrese de que el cable esté completamente extendido.
- El cable no debe estar retorcido ni enrollado alrededor del producto.
- No desenchufe el producto tirando del cable. Sujete siempre el enchufe y tire de él.
- No permitir que el cable de alimentación cuelgue sobre el borde de una mesa o mostrador ni que toque superficies calientes.
- Mantenga siempre el cable de alimentación y el producto alejados de los sitios de paso habituales.

Riesgo de chispas o incendio. Algunos materiales pueden provocar incendios cuando se exponen a la radiación de microondas.

- No utilice la rejilla para asar en los modos de cocción por

microondas o combinados. La rejilla para asar debe colocarse sobre el plato giratorio de cristal y utilizarse únicamente para cocinar a la parrilla.

- Utilice únicamente utensilios aptos para su uso en hornos microondas.
- No se permite el uso de recipientes metálicos para alimentos y bebidas durante la cocción en el microondas.
- Utilice únicamente la sonda de temperatura recomendada para este horno (en el caso de los aparatos que dispongan de un dispositivo para utilizar una sonda de detección de temperatura).
- Cuando calientes alimentos en recipientes de plástico o papel, vigila el horno debido a la posibilidad de que se incendien.

Riesgo de incendio debido a un cortocircuito. Los componentes dañados pueden sobrecalentarse y prenderse fuego.

- No utilice el producto si alguna de sus piezas está dañada o defectuosa; sustitúyalo inmediatamente.
- Si el cable de alimentación está dañado, deberá ser sustituido por un cable o ensamblaje especial puesto a disposición por el fabricante o su agente de servicio.

Riesgo de incendio por sobrecalentamiento. Si el producto no puede disipar el calor, puede sobrecalentarse y prenderse fuego.

- No bloquee las aberturas de ventilación.
- No retire los pies del producto.
- Asegúrese siempre de que haya suficiente espacio alrededor del producto.
- Cuando se coloque en un armario, utilice el producto únicamente con la puerta del armario abierta.

Riesgo de incendio por sobrecalentamiento. Cuando el producto se utiliza sin nada en su interior, absorbe la radiación. Nunca ponga en marcha el producto cuando esté vacío.

Riesgo de lesiones. El producto no está diseñado para ser utilizado por niños menores de 8 años.

- Mantenga el aparato bajo supervisión constante mientras esté en uso.
- Vigile a los niños que se encuentren cerca del aparato cuando esté en funcionamiento.
- Nunca permita que los niños o las mascotas jueguen con el producto.

Riesgo de lesiones graves y quemaduras. Las superficies calientes y el funcionamiento sin supervisión pueden provocar quemaduras o lesiones.

- Desconecte el producto de la fuente de alimentación cuando no lo utilice.
- Nunca deje el producto sin vigilancia cuando haya niños y personas vulnerables presentes.
- No utilice este producto con un temporizador externo ni con un sistema de control remoto independiente.

Riesgo de asfixia. No permita que los niños jueguen con el material de embalaje. Mantenga siempre el material de embalaje fuera del alcance de los niños.

Riesgo de exposición a radiación de microondas. Los daños en el producto pueden provocar fugas de radiación de microondas:

- Es peligroso que cualquier persona que no sea competente realice cualquier operación de mantenimiento o reparación que implique la retirada de una cubierta que protege contra la exposición a la energía de microondas.
- Si la puerta está dañada, podría producirse una fuga de radiación del producto. Si la puerta, las juntas de la puerta o el sistema de cierre están dañados, deje de utilizar el producto y haga que lo repare una persona competente.

Riesgo de humos tóxicos o incendio. Los residuos de limpieza pueden liberar humos nocivos o provocar chispas. Limpie siempre todos los productos de limpieza después de limpiar.

⚠ ATENCIÓN

Riesgo de quemaduras. El producto, así como los alimentos y objetos utilizados, pueden calentarse durante su uso.

- No toque la superficie de este producto durante su uso.
- Los líquidos y otros alimentos no deben calentarse en recipientes herméticos, ya que pueden explotar.
- Agite o remueva siempre el contenido de los biberones y los tarros de comida para bebés y compruebe la temperatura antes de consumirlos, para evitar quemaduras.
- Los huevos con cáscara y los huevos duros enteros no deben calentarse en hornos microondas, ya que pueden explotar, incluso después de que haya finalizado el calentamiento.
- Calentar aceites o grasas en el producto lleva mucho tiempo y el recipiente se calentará mucho. Nunca uses el producto para calentar aceites y grasas.

AVISO

Riesgo de daños en la puerta. La puerta cuenta con un mecanismo de seguridad que la mantiene cerrada cuando el producto está en uso. No ejerza nunca una fuerza excesiva al abrir la puerta. Espere siempre a que la puerta se desbloquee.

Riesgo de daños por exposición al agua. La humedad puede dañar las piezas eléctricas internas.

- No exponga el producto al agua, a la lluvia o a humedad elevada.
- No limpie el producto con un limpiador a vapor.

Riesgo de daños. El producto no está protegido contra impactos fuertes. No deje caer el producto y evite los golpes.

Riesgo de daños en la superficie. Los productos de limpieza pueden dañar el acabado. No utilice productos de limpieza químicos agresivos para limpiar el producto.

Riesgo de un producto antihigiénico. El uso del producto sin el plato giratorio de cristal y un recipiente adecuado puede provocar la acumulación de suciedad e incluso el

crecimiento de bacterias. Utilice siempre el producto con el plato giratorio instalado. Caliente siempre los alimentos en un plato o recipiente apto para microondas.

Explicación de los símbolos del producto o del embalaje



Icono Descripción

Indicación de superficie caliente. El contacto puede causar quemaduras. No tocar.

Compruebe el contenido del paquete

Compruebe que todas las piezas estén presentes y que no presenten daños visibles. Si faltan piezas o están dañadas, póngase en contacto con el servicio de asistencia a través de: support.melissa-online.com

Cómo instalar el producto

1. Retire todo el embalaje del interior y el exterior del producto antes de utilizarlo.
2. Coloque el producto en posición vertical sobre una superficie plana y estable, capaz de soportar el peso del producto (aprox. 12,5 kg).
- ❗ Debe haber un espacio libre de al menos 10 cm en la parte posterior, 5 cm en los laterales y 20 cm en la parte superior para garantizar una ventilación suficiente y evitar el sobrecalentamiento. Cuando se instale en un armario, mantenga la puerta del armario abierta durante el uso.
3. Compruebe si el plato giratorio de cristal **A③** está correctamente colocado en el anillo del plato giratorio **A④** y el eje **A⑤**. La ranura de la parte inferior del plato giratorio de cristal debe estar alineada con las tres ruedas.
4. Enchufa el cable de alimentación. **A⑥** en una toma de corriente.

La pantalla **A⑦** parpadea tres veces.

Cómo ajustar la hora

1. Mantenga pulsado el botón Preset **A②** durante 3 segundos. Los dígitos de la hora parpadearán.
2. Gire el dial **A⑧** para ajustar las horas.
3. Pulse el botón Preset. Los dígitos de los minutos parpadearán.
4. Gire el dial para ajustar los minutos.
5. Pulse el botón Preset para finalizar el ajuste de la hora.

Uso del producto

Recomendamos utilizar recipientes y utensilios de vidrio, gres o plástico aptos para microondas. Nunca utilice los siguientes utensilios en el producto:

- Frascos y botellas de vidrio sellados
- Botellas de vidrio con aberturas pequeñas
- Latas y recipientes cerrados
- Termómetros de uso general
- Lámina de plata
- Papel reciclado
- Platos con decoraciones en oro o plata

- Contenedores que contengan cualquier metal
- i** Si desea probar el microondas sin alimentos, utilice un vaso de agua.

Operación rápida

- i** Durante el proceso, pulse el botón de pausa para detenerlo. Pulse dos veces el botón de pausa para cancelar el proceso.
- 1. Coloque los alimentos en el centro del plato giratorio.
- 2. Cierra la puerta.
- 3. Pulse el botón instantáneo **A** **1**. El proceso comienza inmediatamente a plena potencia durante 1 minuto.
- 4. Opcionalmente, pulse repetidamente el botón instantáneo para ajustar el temporizador.
- 5. Cuando finaliza el proceso, el producto emite 3 pitidos y la pantalla muestra **END**.

Funcionamiento manual

- 1. Coloque los alimentos en el centro del plato giratorio.
- 2. Cierra la puerta.
- 3. Pulse el botón Micro/Power **A** **6** varias veces para seleccionar la potencia de microondas deseada. La pantalla muestra la potencia de microondas en porcentajes. La tabla siguiente muestra las potencias correspondientes.
- i** Además de la potencia del microondas, también están disponibles los programas _G, C1 y C2. Consulte los capítulos Uso de la función grill y Uso de los programas combinados para obtener más información.

100	800 W
80	640 W
60	480 W
40	320 W
20	160 W

- i** Los niveles de potencia del microondas se muestran como porcentajes de la potencia máxima. Los valores de potencia correspondientes son indicativos y no fijos.
- 4. Gire el dial para seleccionar el tiempo de cocción deseado.
- i** Si lo desea, repita los pasos 3 y 4 para programar varias etapas. Se pueden programar hasta 4 etapas. Durante el proceso, cuando finaliza el temporizador de una etapa, el producto continúa automáticamente con la siguiente etapa.
- 5. Pulse el botón instantáneo para iniciar el proceso. La pantalla muestra el tiempo restante.
- i** Para mostrar la potencia del microondas durante el proceso, pulse el botón Micro/Power.
- 6. Cuando finaliza el proceso, el producto emite 3 pitidos y la pantalla muestra **END**.

Usando la función de parrilla

- i** Utilice la función grill para asar carnes o preparar sándwiches tostados y gratinados.
- 1. Coloque la rejilla de la parrilla sobre el plato giratorio de cristal.

- 2. Coloque los alimentos en el centro de la parrilla.
- 3. Cierra la puerta.
- 4. Pulse repetidamente el botón Micro/Power hasta que la pantalla muestre **_G**.
- 5. Gire el dial para seleccionar el tiempo de cocción deseado.
- 6. Pulse el botón instantáneo para iniciar el proceso. La pantalla muestra el tiempo restante.

Uso de los programas combinados

- i** Los programas combinados utilizan la función de microondas y la función de grill al mismo tiempo.
- 1. Coloque los alimentos en el centro del plato giratorio.
- 2. Cierra la puerta.
- 3. Pulse repetidamente el botón Micro/Power hasta que la pantalla muestre **C1** o **C2**.

Visualización	Función	Platos
C1	30 % microondas, 70 % grill	Pescado, patatas o gratinados
C2	55 % microondas, 45 % grill	Tortillas, patatas asadas o aves de corral.

Descongelación

- i** Utilice esta función para descongelar carne y marisco.
- 1. Pesa la cantidad de comida y recuerda el peso.
- 2. Coloque los alimentos en el centro del plato giratorio.
- 3. Cierra la puerta.
- 4. Pulse el botón preestablecido para seleccionar el ajuste de descongelación correcto que se muestra en la tabla siguiente.

Código	Tipo de comida	Intervalo
D1	Carne	0,1 - 2 kg
D2	Aves de corral	0,2 - 3 kg
D3	Mariscos	0,1 - 0,9 kg

- 5. Gire el dial para ajustar el peso de los alimentos en kg. Por ejemplo, para descongelar 600 gramos de alimentos, ajuste el dial a **«0,6»**.
- 6. Pulse el botón instantáneo para iniciar el proceso. Cuando el producto emite un pitido durante el proceso:
 7. Abra la puerta. El proceso se detiene.
 8. Da la vuelta a los alimentos o, en el caso de trozos más pequeños, agítalos o remuévelos.
 9. Cierra la puerta.
 10. Pulse el botón instantáneo para continuar con el proceso.
- 11. Cuando finaliza el proceso, el producto emite 3 pitidos y la pantalla muestra **END**.

Cómo utilizar las presintonías

- 1. Pesa la cantidad de comida y recuerda el peso.
- 2. Coloque los alimentos en el centro del plato giratorio.
- 3. Cierra la puerta.

- Gire el dial un paso en sentido antihorario para entrar en el modo preestablecido.
- Gire el dial para seleccionar el número correspondiente al preajuste deseado. Consulte la tabla siguiente para ver todos los preajustes.
- Presione el dial para seleccionar un preajuste.
- Gire el dial para ajustar el peso de los alimentos en kg. Por ejemplo, para descongelar 600 gramos de alimentos, ajuste el dial a «0,6».
- Pulse el botón instantáneo para iniciar el proceso.
- Cuando finaliza el proceso, el producto emite 3 pitidos y la pantalla muestra **END**.

Código	Tipo de comida	Ajustes
A1	Palomitas de maíz	85 - 100 gr
A2	Patatas	0,45 - 0,65 kg
A3	Verduras	0,1 - 0,5 kg
A4	Carne*	0,2 - 0,7 kg
A5	Pescado*	0,2 - 0,7 kg
A6	Aves de corral*	0,2 - 0,7 kg
A7	Lasaña	0,2 - 1 kg
A8	Leche/café	0,25 - 0,5 kg
A9	Arroz	0,1 - 0,5 kg
A10	Espagueti**	0,1 - 0,5 kg
A11	Pan	0,1 - 0,5 kg
A12	Pizza	1 - 2 artículos

* Debe darse la vuelta o removerse cuando el producto emita un pitido.

** Debe añadir agua hirviendo antes de cocinar.

Configuración del temporizador de retardo

- El temporizador de retardo no se puede utilizar con los procesos expresos y programados.

Seleccione el programa deseado. Antes de iniciar el proceso:

- Mantenga pulsado el botón Preset durante 3 segundos.

Los dígitos de la hora parpadearán.

- (En la función de temporizador de retraso, se establece la hora a la que debe comenzar el proceso de cocción. El reloj debe estar ajustado correctamente para que el temporizador funcione (véase el capítulo «Ajuste de la hora»).

- Gire el dial para ajustar la hora.
- Pulse el botón Preset. Los dígitos de los minutos comenzarán a parpadear.
- Gire el dial para ajustar los minutos.
- Pulse el botón Preset para finalizar la configuración del temporizador de retardo. Se oirá un pitido y la pantalla parpadeará.
- El proceso comienza cuando se alcanza el tiempo establecido.
- Para comprobar la hora programada, pulse el botón de preselección.
- Para cancelar el temporizador, pulse el botón de pausa.

Activación del bloqueo para niños

- Mantenga pulsado el botón de pausa **A10** durante 3 segundos. Se oirá un pitido, la pantalla mostrará **OFF** y un símbolo de candado.
- Para desactivar el bloqueo para niños, mantenga pulsado el botón de pausa durante 3 segundos.


Garantía

Este producto está destinado al uso doméstico. Cualquier cambio y/o modificación del producto invalidará la garantía. No podemos aceptar ninguna responsabilidad por daños causados por un uso inadecuado del producto. El desgaste normal queda excluido de la garantía.

Descargo de responsabilidad

Debido al constante desarrollo de nuestros productos en cuanto a función y diseño, nos reservamos el derecho a realizar cambios en el producto sin previo aviso. Todos los logotipos, marcas y nombres de productos son marcas comerciales o marcas registradas de sus respectivos propietarios y, por tanto, se reconocen como tales.

Eliminación

 Este producto está destinado a la recogida selectiva en un punto de recogida adecuado. No deseche el producto con los residuos domésticos. Para más información, póngase en contacto con el vendedor o con la autoridad local responsable de la gestión de residuos.

Declaración UE de conformidad

Declaramos que este producto cumple con la legislación de la UE aplicable. La Declaración UE de conformidad está disponible en nuestro sitio web o puede solicitarse bajo petición.

PT Guia de iniciação rápida

Forno micro-ondas combinado

16330128 16330130
16330129 16330131



Para mais informações, digitalize o código QR na página inicial para ver o manual alargado.

Acerca deste documento

Obrigado por adquirir o Melissa Forno micro-ondas combinado.

Este documento é o manual de utilização do produto e contém toda a informação necessária para a sua utilização correta, eficaz e segura.

Certifique-se de que leu e compreendeu as instruções deste documento na íntegra antes de instalar ou utilizar o produto. Guarde a embalagem e este documento para referência futura.

Símbolos utilizados

⚠ ATENÇÃO	Palavra de sinal utilizada para indicar uma situação potencialmente perigosa que, se não for evitada, poderá resultar em morte ou ferimentos graves.
⚠ CUIDADO	Palavra de sinal utilizada para indicar uma situação potencialmente perigosa que, se não for evitada, poderá resultar em ferimentos ligeiros ou moderados.
AVISO	Palavra de sinal utilizada para referir práticas não relacionadas com ferimentos.

Utilização prevista

Este produto é um micro-ondas independente.

O produto destina-se ao aquecimento de alimentos e bebidas. A secagem de alimentos ou roupas e o aquecimento de almofadas térmicas, chinelos, esponjas, panos húmidos e similares podem causar risco de ferimentos, ignição ou incêndio.

Este produto destina-se apenas a utilização interior.

Este produto pode ser utilizado por crianças a partir dos 8 anos de idade e por pessoas com capacidades físicas, sensoriais ou mentais reduzidas ou com falta de experiência e conhecimentos, desde que tenham recebido supervisão ou instruções relativas à utilização do produto de forma segura e compreendam os perigos envolvidos. As crianças não devem brincar com o produto. A limpeza e a manutenção pelo utilizador não devem ser efectuadas por crianças sem supervisão.

Não permita que pessoas com capacidades físicas, sensoriais ou mentais reduzidas ou com falta de experiência e conhecimento sobre o modo de funcionamento do produto o utilizem.

Este produto destina-se a ser utilizado em aplicações domésticas e similares, tais como:

- áreas de cozinha para funcionários em lojas, escritórios e outros ambientes de trabalho;
- casas rurais;
- por clientes em hotéis, motéis e outros ambientes residenciais;
- ambientes do tipo alojamento e pequeno-almoço.

O produto não se destina a utilização profissional.

Qualquer alteração do produto pode ter consequências em termos de segurança, garantia e funcionamento adequado.

Peças principais (imagem A)

- | | |
|---------------------------------|----------------------|
| 1 Porta | 7 Ecrã |
| 2 Grelha para churrasqueira | 8 Seletor |
| 3 Plataforma giratória de vidro | 9 Botão Micro/Power |
| 4 Anel giratório | 10 Botão de pausa |
| 5 Fuso | 11 Botão instantâneo |
| 6 Cabo de alimentação | 12 Botão Preset |

Instruções de segurança

Certifique-se de que leu e compreendeu as instruções deste documento na íntegra antes de instalar ou utilizar o produto. Guarde a embalagem e este documento para referência futura.

Utilizar o produto apenas como descrito neste documento.

⚠ ATENÇÃO

Risco de choque elétrico. Abrir o produto pode expor peças sob tensão.

- Não desmonte o produto; não há peças que possam ser reparadas pelo utilizador no interior.
- A manutenção deste produto só pode ser efectuada por um técnico qualificado.
- Desligue o produto da fonte de alimentação antes de efetuar a manutenção ou substituir peças.

Risco de choque elétrico. O contacto com água pode expor o utilizador a peças elétricas sob tensão.

- Não mergulhe o produto em água ou outros líquidos.
- Desligue o produto da fonte de alimentação antes de limpar.
- Não coloque o produto na máquina de lavar louça.

Risco de choque elétrico. Quando o cabo de alimentação está danificado, o circuito elétrico pode ficar exposto.

- Utilize apenas o cabo de alimentação fornecido.
- Certifique-se de que o cabo está totalmente estendido.
- O cabo não deve ser torcido ou enrolado no produto.
- Não desligue o produto da tomada puxando o cabo. Segure sempre pela ficha e puxe.
- Não deixe o cabo de alimentação pendurado no rebordo de uma mesa ou bancada, nem toque em superfícies quentes.
- Mantenha sempre o cabo de alimentação e o produto afastado de locais de passagem habitual.

Risco de faíscas ou incêndio. Alguns materiais podem provocar incêndios quando expostos à radiação de micro-ondas.

- Não utilize a grelha no micro-ondas ou nos modos de cozedura combinados. A grelha deve ser colocada no prato giratório de vidro e utilizada apenas para cozinhar na grelha.
- Utilize apenas utensílios adequados para uso em fornos micro-ondas.
- Recipientes metálicos para alimentos e bebidas não são permitidos durante o cozimento no micro-ondas.
- Utilize apenas a sonda de temperatura recomendada para este forno (para aparelhos com capacidade para utilizar uma sonda de deteção de temperatura).
- Ao aquecer alimentos em recipientes de plástico ou papel, fique atento ao forno devido à possibilidade de incêndio.

Risco de incêndio devido a curto-circuito.

Componentes danificados podem sobreaquecer e incendiar-se.

- Não utilize o produto se alguma peça estiver danificada ou com defeito; substitua-o imediatamente.
- Se o cabo de alimentação estiver danificado, deve ser

substituído por um cabo ou conjunto especial disponibilizado pelo fabricante ou pelo seu agente de assistência técnica.

Risco de incêndio devido ao sobreaquecimento. Se o produto não conseguir dissipar o calor, pode sobreaquecer e incendiar-se.

- Não bloqueie as aberturas de ventilação.
- Não remova os pés do produto.
- Certifique-se sempre de que existe espaço suficiente à volta do produto.
- Quando colocado num armário, utilize o produto apenas com a porta do armário aberta.

Risco de incêndio devido ao sobreaquecimento. Quando o produto é utilizado sem nada dentro, ele absorve a radiação. Nunca ligue o produto quando estiver vazio.

Risco de ferimentos. O produto não foi concebido para ser utilizado por crianças com menos de 8 anos.

- Mantenha o aparelho sob supervisão constante enquanto estiver em uso.
- Fique atento às crianças que estiverem nas proximidades do aparelho quando ele estiver em uso.
- Nunca permita que crianças ou animais de estimação brinquem com o produto.

Risco de ferimentos graves e queimaduras. Superfícies quentes e operação sem supervisão podem causar queimaduras ou ferimentos.

- Desligue o produto da fonte de alimentação quando não estiver em uso.
- Nunca deixe o produto sem vigilância quando crianças e pessoas vulneráveis estiverem presentes.
- Não utilize este produto com um temporizador externo ou um sistema de controlo remoto separado.

Risco de asfixia. Não deixe crianças brincarem com o material de embalagem. Mantenha sempre o material de embalagem fora do alcance das crianças.

Risco de exposição à radiação de micro-ondas. Danos no produto podem causar fuga de radiação de micro-ondas:

- É perigoso para qualquer pessoa que não seja competente realizar qualquer operação de manutenção ou reparação que envolva a remoção de uma tampa que protege contra a exposição à energia de micro-ondas.
- Quando a porta está danificada, a radiação pode escapar do produto. Se a porta, as vedações da porta ou o sistema de bloqueio estiverem danificados, pare de usar o produto e mande repará-lo por uma pessoa competente.

Risco de fumos tóxicos ou incêndio. Os resíduos de limpeza podem libertar fumos nocivos ou causar faíscas. Limpe sempre todos os produtos de limpeza após a limpeza.

⚠ CUIDADO

Risco de queimaduras. O produto, bem como os alimentos e objetos utilizados, podem aquecer durante a utilização.

- Não toque na superfície deste produto durante a utilização.
- Os líquidos e outros alimentos não devem ser aquecidos em recipientes fechados, pois podem explodir.

- Agite ou mexa sempre o conteúdo dos biberões e dos frascos de comida para bebés e verifique a temperatura antes do consumo, para evitar queimaduras.
- Os ovos com casca e os ovos cozidos inteiros não devem ser aquecidos no micro-ondas, pois podem explodir, mesmo após o término do aquecimento.
- O aquecimento de óleos ou gorduras no produto demora muito tempo e o recipiente ficará extremamente quente. Nunca utilize o produto para aquecer óleos e gorduras.

AVISO

Risco de danos na porta. A porta possui um mecanismo de segurança que a mantém fechada quando o produto está em uso. Nunca use força excessiva ao abrir a porta. Sempre espere que a porta seja destrancada.

Risco de danos devido à exposição à água. A humidade pode danificar as peças elétricas internas.

- Não exponha o produto a água, chuva, humidade ou humidade elevada.
- Não limpe o produto com um limpador a vapor.

Risco de danos. O produto não está protegido contra impactos fortes. Não deixe o produto cair e evite batidas.

Risco de danos na superfície. Os produtos de limpeza podem danificar o acabamento. Não utilize produtos de limpeza químicos agressivos para limpar o produto.

Risco de um produto anti-higiénico. Utilizar o produto sem o prato giratório de vidro e um recipiente adequado pode causar acúmulo de sujeira e até mesmo crescimento bacteriano. Utilize sempre o produto com o prato giratório instalado. Aqueça sempre os alimentos em um prato ou recipiente próprio para micro-ondas.

Explicação dos símbolos no produto ou na embalagem

Ícone

Descrição



Indicação para uma superfície quente. O contacto pode causar queimaduras. Não tocar.

Verifique o conteúdo da embalagem

Verifique se todas as peças estão presentes e se não há danos visíveis nas peças. Se alguma peça estiver faltando ou danificada, entre em contacto com o serviço de assistência através do site: support.melissa-online.com

Instalação do produto

1. Remova toda a embalagem do interior e exterior do produto antes de usar.
 2. Coloque o produto na posição vertical sobre uma superfície plana e estável, capaz de suportar o peso do produto (aprox. 12,5 kg).
- i** Deve haver uma distância mínima de 10 cm na parte traseira, 5 cm nas laterais e 20 cm na parte superior para garantir ventilação suficiente e evitar sobreaquecimento. Quando instalado num armário, mantenha a porta do armário aberta durante a utilização.

- Verifique se o prato giratório de vidro **A6** está corretamente encaixada no anel da plataforma giratória **A4** e eixo **A5**. A ranhura na parte inferior do prato giratório de vidro deve estar alinhada com as três rodas.
- Ligue o cabo de alimentação **A6** a uma tomada elétrica.

O visor **A7** pisca três vezes.

Definir a hora

- Mantenha premido o botão Preset **A12** durante 3 segundos. Os dígitos das horas piscam.
- Gire o botão **A8** para definir as horas.
- Pressione o botão Preset. Os dígitos dos minutos piscam.
- Gire o botão para definir os minutos.
- Pressione o botão Preset para concluir a configuração da hora.

Utilização do produto

Recomendamos o uso de recipientes e utensílios de vidro, cerâmica ou plástico próprios para micro-ondas. Nunca utilize os seguintes utensílios no produto:

- Frascos e garrafas de vidro selados
 - Garrafas de vidro com aberturas pequenas
 - Latas e recipientes fechados
 - Termômetros de uso geral
 - Folha de prata
 - Papel reciclado
 - Pratos com decorações em ouro ou prata
 - Recipientes que contenham qualquer metal
- i** Se quiser testar o micro-ondas sem alimentos, use um copo com água.

Operação rápida

- i** Durante o processo, pressione o botão de pausa para interromper o processo. Pressione duas vezes o botão de pausa para cancelar o processo.
- Coloque os alimentos no meio do prato giratório.
 - Feche a porta.
 - Pressione o botão instantâneo **A11**. O processo começa imediatamente na potência máxima durante 1 minuto.
 - Opcionalmente, pressione repetidamente o botão instantâneo para ajustar o temporizador.
 - Quando o processo estiver concluído, o produto emitirá 3 bipes e o visor exibirá **END**.

Operação manual

- Coloque os alimentos no meio do prato giratório.
 - Feche a porta.
 - Pressione o botão Micro/Power **A9** repetidamente para selecionar a potência de micro-ondas desejada. O visor mostra a potência de micro-ondas em porcentagem. A tabela abaixo mostra as potências correspondentes.
- i** Além da potência do micro-ondas, os programas **_G**, **C1** e **C2** também estão disponíveis. Consulte os capítulos Utilizar a função grelha e Utilizar os programas combinados para obter mais informações.

100	800 W
80	640 W
60	480 W
40	320 W
20	160 W

- i** Os níveis de potência do micro-ondas são apresentados em porcentagem da potência máxima. Os valores de potência correspondentes são indicativos e não fixos.
- Gire o botão para selecionar o tempo de cozimento desejado
 - Se desejar, repita os passos 3 e 4 para programar várias etapas. É possível programar até 4 etapas. Durante o processo, quando o temporizador de uma etapa terminar, o produto continuará automaticamente para a próxima etapa.
 - Pressione o botão instantâneo para iniciar o processo. O visor mostra o tempo restante.
 - Para exibir a potência do micro-ondas durante o processo, pressione o botão Micro/Power.
 - Quando o processo estiver concluído, o produto emitirá 3 bipes e o visor exibirá **END**.

Usando a função grelha

- i** Use a função grelha para grelhar carnes ou fazer sanduíches torradas e gratinados.
- Coloque a grelha em cima do prato giratório de vidro.
 - Coloque os alimentos no meio da grelha.
 - Feche a porta.
 - Pressione o botão Micro/Power repetidamente até que o visor mostre **_G**.
 - Gire o botão para selecionar o tempo de cozimento desejado
 - Pressione o botão instantâneo para iniciar o processo. O visor mostra o tempo restante.

Usando os programas combinados

- i** Os programas combinados utilizam simultaneamente a função micro-ondas e a função grelha.
- Coloque os alimentos no meio do prato giratório.
 - Feche a porta.
 - Pressione o botão Micro/Power repetidamente até que o visor mostre **C1** ou **C2**.

Ecrã	Função	Pratos
C1	30% micro-ondas, 70% grelha	Peixe, batatas ou gratinados
C2	55% micro-ondas, 45% grelha	Omeletes, batatas assadas ou aves

Descongelamento

- i** Use esta função para descongelar carne e frutos do mar.
- Pese a quantidade de comida e lembre-se do peso.
 - Coloque os alimentos no meio do prato giratório.
 - Feche a porta.

4. Pressione o botão predefinido para seleccionar a configuração correcta de descongelamento indicada na tabela abaixo.

Código	Tipo de alimento	Intervalo
D1	Carne	0,1 - 2 kg
D2	Aves	0,2 - 3 kg
D3	Frutos do mar	0,1 - 0,9 kg

5. Gire o botão para definir o peso dos alimentos em kg. Por exemplo, para descongelar 600 gramas de alimentos, defina o botão para **"0,6"**.
6. Pressione o botão instantâneo para iniciar o processo. Quando o produto emitir um sinal sonoro durante o processo:
7. Abra a porta. O processo é interrompido.
8. Vire os alimentos de cabeça para baixo ou, no caso de pedaços menores, agite-os ou mexa-os.
9. Feche a porta.
10. Pressione o botão instantâneo para continuar o processo.
11. Quando o processo estiver concluído, o produto emitirá 3 bipes e o visor exibirá **END**.

Utilização das predefinições

1. Pese a quantidade de comida e lembre-se do peso.
2. Coloque os alimentos no meio do prato giratório.
3. Feche a porta.
4. Gire o botão um passo no sentido anti-horário para entrar no modo predefinido.
5. Gire o seletor para seleccionar o número correspondente à predefinição desejada. Consulte a tabela abaixo para ver todas as predefinições.
6. Pressione o botão para seleccionar uma predefinição.
7. Gire o botão para definir o peso dos alimentos em kg. Por exemplo, para descongelar 600 gramas de alimentos, defina o botão para **"0,6"**.
8. Pressione o botão instantâneo para iniciar o processo.
9. Quando o processo estiver concluído, o produto emitirá 3 bipes e o visor exibirá **END**.

Código	Tipo de alimento	Definições
A1	Pipoca	85 - 100 gr
A2	Batatas	0,45 - 0,65 kg
A3	Legumes	0,1 - 0,5 kg
A4	Carne*	0,2 - 0,7 kg
A5	Peixe*	0,2 - 0,7 kg
A6	Aves*	0,2 - 0,7 kg
A7	Lasanha	0,2 - 1 kg
A8	Leite/café	0,25 - 0,5 kg
A9	Arroz	0,1 - 0,5 kg
A10	Esparguete**	0,1 - 0,5 kg
A11	Pão	0,1 - 0,5 kg
A12	Pizza	1 - 2 itens

* deve ser virado ou mexido quando o produto emitir um sinal sonoro

** é necessário adicionar água a ferver antes de cozinhar

Definir o temporizador de atraso

i O temporizador de atraso não pode ser utilizado com os processos expresso e programado.

Defina o programa desejado. Antes de iniciar o processo:

1. Mantenha premido o botão Preset durante 3 segundos. Os dígitos das horas piscam.
- i** (Na função temporizador, define-se a hora em que o processo de cozedura deve começar. O relógio deve estar corretamente ajustado para que o temporizador funcione (ver capítulo Ajustar a hora).
2. Gire o botão para ajustar a hora.
3. Pressione o botão Preset. Os dígitos dos minutos começam a piscar.
4. Gire o botão para definir os minutos.
5. Pressione o botão Preset para concluir a configuração do temporizador de atraso. Um sinal sonoro será emitido e o visor piscará.
- i** O processo começa quando o tempo definido é atingido.
6. Para verificar a hora definida, pressione o botão predefinido.
7. Para cancelar o temporizador, pressione o botão de pausa.

Ativar o bloqueio infantil

1. Mantenha premido o botão de pausa **A10** durante 3 segundos. É emitido um sinal sonoro, o visor apresenta **OFF** e um símbolo de bloqueio.
2. Para desativar o bloqueio infantil, mantenha premido o botão de pausa durante 3 segundos.

Garantia

Este produto destina-se a uma utilização doméstica. Quaisquer alterações e/ou modificações ao produto invalidam a garantia. Não podemos aceitar qualquer responsabilidade por danos causados por uma utilização incorrecta do produto. O desgaste normal está excluído da garantia.

Isenção de responsabilidade

Devido ao constante desenvolvimento dos nossos produtos em termos de função e design, reservamo-nos o direito de efetuar alterações ao produto sem aviso prévio. Todos os logótipos, marcas e nomes de produtos são marcas comerciais ou marcas registadas dos respectivos titulares e são reconhecidos como tal.

Eliminação



Este produto destina-se a ser recolhido separadamente num ponto de recolha adequado. Não eliminar o produto juntamente com o lixo doméstico. Para mais informações, contacte o retalhista ou a autoridade local responsável pela gestão de resíduos.

Declaração UE de conformidade

Declaramos que este produto está em conformidade com a legislação da UE aplicável. A Declaração UE de conformidade está disponível no nosso site ou pode ser obtida mediante pedido.

SV Snabbstartsguide

Kombinerad mikrovågsugn

16330128 16330130

16330129 16330131



Om du vill ha mer information kan du skanna QR-koden på framsidan för att se den utökade manualen.

Om detta dokument

Tack för att du köpt Melissa Kombinerad mikrovågsugn. Detta dokument är bruksanvisningen och innehåller all information för korrekt, effektiv och säker användning av produkten.

Säkerställ att du har läst och förstått alla instruktioner i detta dokument innan du installerar och använder produkten. Behåll förpackningen och detta dokument som framtida referens.

Symboler som används

⚠ VARNING	Signalord som beskriver en potentiellt farlig situation som, om den inte undviks, skulle kunna medföra dödsfall eller svåra personskador.
⚠ OBSERVERA	Signalord som beskriver en potentiellt farlig situation som, om den inte undviks, skulle kunna medföra personskador av mindre eller medelsvår karaktär.
OBS!	Signalord som beskriver metoder ej relaterade till fysiska skador.

Avsedd användning

Denna produkt är en fristående mikrovågsugn. Produkten är avsedd för uppvärmning av mat och dryck. Torkning av mat eller kläder och uppvärmning av värmedyner, tofflor, svampar, fuktiga trasor och liknande kan medföra risk för skador, antändning eller brand. Denna produkt är endast avsedd för användning inomhus. Denna produkt kan användas av barn från 8 år och uppåt och personer med nedsatt fysisk, sensorisk eller mental förmåga eller brist på erfarenhet och kunskap om de har fått tillsyn eller instruktioner om hur produkten ska användas på ett säkert sätt och förstår de faror som är förknippade med den. Barn får inte leka med produkten. Rengöring och användarunderhåll får inte utföras av barn utan uppsikt. Personer med fysisk, sensorisk eller kognitiv funktionsnedsättning eller avsaknad av erfarenhet och kunskap om hur man hanterar produkten får inte använda produkten. Denna produkt är avsedd för användning i hemmiljö och

liknande applikationer såsom:

- personalutrymmen i butiker, kontor och andra arbetsmiljöer;
- lantgårdar;
- av kunder på hotell, motell och andra boendemiljöer;
- bed and breakfast-liknande miljöer.

Produkten är inte avsedd för yrkesmässig användning. Modifiering av produkten kan medföra konsekvenser för säkerhet, garanti och korrekt funktion.

Huvuddelar (bild A)

- | | |
|----------------|---------------------|
| 1 Dörr | 7 Display |
| 2 Grillgaller | 8 Reglage |
| 3 Glasplatta | 9 Micro/Power knapp |
| 4 Vridbar ring | 10 Pausknapp |
| 5 Spindel | 11 Instant-knapp |
| 6 Strömkabel | 12 Knappen Preset |

Säkerhetsanvisningar

Säkerställ att du har läst och förstått alla instruktioner i detta dokument innan du installerar och använder produkten. Behåll förpackningen och detta dokument som framtida referens.

Använd endast produkten på det sätt som beskrivs i detta dokument.

⚠ VARNING

Risk för elstötar. Om produkten öppnas kan spänningsförande delar exponeras.

- Demontera inte produkten; det finns inga delar som kan repareras av användaren inuti.
- Denna produkt får endast underhållas av en kvalificerad tekniker.
- Koppla bort produkten från kraftkällan före service och utbyte av delar.

Risk för elstötar. Kontakt med vatten kan utsätta användaren för strömförande delar.

- Sänk inte ner produkten i vatten eller annan vätska.
- Koppla bort produkten från strömkällan före städning.
- Lägg inte produkten i diskmaskinen.

Risk för elstötar. Om strömkabeln är skadad kan den elektriska kretsen bli exponerad.

- Använd endast den medföljande nätsladden.
- Se till att kabeln är helt utdragen.
- Kabeln får inte vridas eller lindas runt produkten.
- Koppla inte ur produkten genom att dra i kabeln. Håll alltid i kontakten när du drar.
- Låt inte nätsladden hänga över bordets eller bänkens kant eller vidröra heta ytor.
- Håll alltid nätsladden och produkten borta från gångbanor som vanligtvis används.

Risk för gnistbildning eller brand. Vissa material kan antändas när de utsätts för mikrovågsstrålning.

- Använd inte grillgallret i mikrovågsugn eller kombinationslagningslägen. Grillgallret måste placeras på den roterande glastallriken och endast användas för grillning.

- Använd endast redskap som är lämpliga för användning i mikrovågsugnar.
- Metallbehållare för mat och dryck är inte tillåtna vid mikrovågsugnstillagning.
- Använd endast den temperaturgivare som rekommenderas för denna ugn (för apparater som har möjlighet att använda en temperaturgivare).
- När du värmer mat i plast- eller pappersbehållare, håll ett öga på ugnen eftersom det finns risk för antändning.

Brandrisk på grund av kortslutning. Skadade

komponenter kan överhettas och antändas.

- Använd inte produkten om någon del är skadad eller defekt; byt ut den omedelbart.
- Om kabeln är skadad måste den bytas ut mot en speciell kabel eller en från tillverkaren eller dennes serviceagent tillgänglig enhet.

Brandrisk på grund av överhettning. Om produkten inte kan avge värme kan den överhettas och antändas.

- Blockera inte ventilationsöppningarna.
- Ta inte bort fötterna från produkten.
- Se alltid till att det finns tillräckligt med utrymme runt produkten.
- När produkten placeras i ett skåp ska den endast användas med skåpdörren öppen.

Brandrisk på grund av överhettning. När produkten används utan något inuti absorberar den själv strålningen. Starta aldrig produkten när den är tom.

Risk för skada. Produkten är inte avsedd för barn under 8 år.

- Håll apparaten under ständig uppsikt under användning.
- Håll uppsikt över barn i närheten av apparaten när den är i bruk.
- Låt aldrig barn eller husdjur leka med produkten.

Risk för allvarliga skador och brännskador. Heta ytor och oövakad drift kan orsaka brännskador eller skador.

- Koppla bort produkten från strömkällan när den inte används.
- Lämnna aldrig produkten utan uppsikt när barn och utsatta personer är närvarande.
- Använd inte denna produkt med en extern timer eller separat fjärrkontrollsystem.

Kvavningsrisk. Låt inte barn leka med förpackningsmaterialet. Förvara alltid förpackningsmaterialet utom räckhåll för barn.

Risk för exponering för mikrovågsstrålning. Skador på produkten kan leda till att mikrovågsstrålning läcker ut:

- Det är farligt för andra än behörig personal att utföra service- eller reparationsarbeten som innebär att man tar bort ett skydd som skyddar mot exponering för mikrovågsenergi.
- Om luckan är skadad kan strålning läcka ut från produkten. Om luckan, luckans tätningar eller låssystemet är skadat, sluta använda produkten och låt en behörig person reparera den.

Risk för giftiga ångor eller brand. Rengöringsrester kan avge skadliga ångor eller orsaka gnistor. Torka alltid bort alla

rengöringsprodukter efter rengöring.

⚠ OBSERVERA

Risk för brännskador. Produkten, samt använda livsmedel och föremål, kan bli varma under användning.

- Rör inte produktens yta under användning.
- Vätskor och andra livsmedel får inte värmas upp i slutna behållare, eftersom de kan explodera.
- Rör alltid om eller skaka innehållet i napplaskor och barnmatbarur och kontrollera temperaturen före konsumtion för att undvika brännskador.
- Ägg i skal och hela hårdkokta ägg bör inte värmas i mikrovågsugnen, eftersom de kan explodera även efter att mikrovågsugnen stängts av.
- Det tar lång tid att värma upp oljor eller fetter i produkten, och behållaren blir extremt varm. Använd aldrig produkten för att värma upp oljor och fetter.

OBS!

Risk för skador på luckan. Luckan har en säkerhetsmekanism som håller luckan stängd när produkten är i bruk. Använd aldrig överdriven kraft när du öppnar luckan. Vänta alltid tills luckan har låsts upp.

Risk för skador på grund av exponering för vatten. Fukt kan skada interna elektriska delar.


- Exponera inte produkten till vatten, regn eller fukt eller hög fukthalt.
- Rengör inte produkten med ångrengörare.

Risk för skador. Produkten är inte skyddad mot kraftiga stötar. Tappa inte produkten och undvik stötar.

Risk för skador på ytan. Rengöringsmedel kan skada ytbehandlingen. Använd inte aggressiva kemiska rengöringsmedel när du rengör produkten.

Risk för ohygienisk produkt. Användning av produkten utan glastallriken och en lämplig behållare kan orsaka smutsansamling och till och med bakterietillväxt. Använd alltid produkten med tallriken på plats. Värm alltid maten på en mikrovågsugns säker tallrik eller behållare.

Förklaring av symbolerna på produkten eller emballaget

Symbol	Beskrivning
	Indikering för en het yta. Kontakt kan förorsaka brännskador. Vidrör ej.

Kontrollera innehållet i emballaget

Kontrollera att alla delar finns med och att inga skador syns på delarna. Om delar saknas eller är skadade, kontakta supporten via: support.melissa-online.com

Installera produkten

1. Ta bort all förpackningsmaterial från produktens insida och utsida före användning.
 2. Placera produkten upprätt på en plan och stabil yta som klarar produktens vikt (ca 12,5 kg).
- i** Det måste finnas ett utrymme på minst 10 cm på baksidan, 5 cm på sidorna och 20 cm på ovasidan

för att säkerställa tillräcklig ventilation och undvika överhettning. Vid installation i ett skåp ska skåpdörren hållas öppen under användning.

3. Kontrollera om glasskivan **A** 3 sitter korrekt på skivspelaren. **A** 4 och spindeln **A** 5. Spåret på undersidan av den glastallriken måste vara i linje med de tre hjulen.
 4. Anslut strömkabeln **A** 6 i ett eluttag.
- Displayen **A** 7 blinkar tre gånger.

Att ställa in tiden

1. Håll in knappen Preset **A** 2 i 3 sekunder. Timsiffrorna blinkar.
2. Vrid på ratten **A** 6 för att ställa in timmarna.
3. Tryck på knappen Preset. Minutställningen blinkar.
4. Vrid på ratten för att ställa in minuterna.
5. Tryck på knappen Preset för att avsluta inställningen av tiden.

Att använda produkten

Vi rekommenderar att du använder glas-, stengods- eller mikrovågsugnsäkra plastbehållare och redskap. Använd aldrig följande redskap i produkten:

- Förseglade glasburkar och flaskor
 - Glasflaskor med små öppningar
 - Stängda burkar och behållare
 - Allmänna termometrar
 - Silverfolie
 - Återvunnet papper
 - Tallriker med guld- eller silverdekorationer
 - Behållare som innehåller metall
- i** Om du vill testa mikrovågsugnen utan mat, använd ett glas vatten.

Snabb drift

- i** Tryck på pausknappen under processen för att pausa processen. Tryck två gånger på pausknappen för att avbryta processen.
1. Placera maten i mitten av vridplattan.
 2. Stäng dörren.
 3. Tryck på snabbknappen **A** 1. Processen startar omedelbart med full effekt i 1 minut.
 4. Alternativt kan du trycka upprepade gånger på snabbknappen för att justera timern.
 5. När processen är klar avger produkten tre pip och displayen visar **END**.

Manuell drift

1. Placera maten i mitten av vridplattan.
 2. Stäng dörren.
 3. Tryck på Micro/Power knapp **A** 5 upprepade gånger för att välja önskad mikrovågseffekt. Displayen visar mikrovågseffekten i procent. Tabellen nedan visar motsvarande wattal.
- i** Förutom mikrovågseffekt finns även programmen **_G**, **C1** och **C2** tillgängliga. Se kapitlet Använda

grillfunktionen och Använda kombinationsprogrammen för mer information.

100	800 W
80	640 W
60	480 W
40	320 W
20	160 W

- i** Mikrovågseffektnivåerna visas som procentandelar av maximal uteffekt. Motsvarande effektvärden är vägledande och inte fasta.
4. Vrid på ratten för att välja önskad tillagningstid.
 - i** Om så önskas, upprepa steg 3 och 4 för att programmera flera steg. Upp till 4 steg kan programmeras. Under processen, när timern för ett steg är slut, fortsätter produkten automatiskt till nästa steg.
 5. Tryck på snabbknappen för att starta processen. Displayen visar återstående tid.
 - i** För att visa mikrovågseffekten under processen, tryck på Micro/Power knappen.
 6. När processen är klar avger produkten tre pip och displayen visar **END**.

Använda grillfunktionen

- i** Använd grillfunktionen för att grilla kött eller göra rostade smörgåsar och gratänger.
1. Placera grillgallret ovanpå den roterande glastallriken.
 2. Placera maten mitt på grillgallret.
 3. Stäng dörren.
 4. Tryck upprepade gånger på Micro/Power knappen tills displayen visar **_G**.
 5. Vrid på ratten för att välja önskad tillagningstid.
 6. Tryck på snabbknappen för att starta processen. Displayen visar återstående tid.

Använda kombinationsprogrammen

- i** Kombinationsprogram använder mikrovågsfunktionen och grillfunktionen samtidigt.
1. Placera maten i mitten av vridplattan.
 2. Stäng dörren.
 3. Tryck upprepade gånger på Micro/Power knappen tills displayen visar **C1** eller **C2**.

Display	Funktion	Rätter
C1	30 % mikrovågsugn, 70 % grill	Fisk, potatis eller gratänger
C2	55 % mikrovågsugn, 45 % grill	Omeletter, bakade potatisar eller fågel

Upptining

- i** Använd denna funktion för att tina kött och skaldjur.
1. Väg mängden mat och kom ihåg vikten.
 2. Placera maten i mitten av vridplattan.
 3. Stäng dörren.
 4. Tryck på förinställningsknappen för att välja rätt avfrostningsinställning enligt tabellen nedan.

Kod	Typ av mat	Intervall
D1	Kött	0,1 - 2 kg
D2	Fjäderfä	0,2 - 3 kg
D3	Skaldjur	0,1 - 0,9 kg

- Vrid på ratten för att ställa in matens vikt i kg. Om du till exempel vill tina 600 gram mat ställer du in ratten på **"0,6"**.
- Tryck på snabbknappen för att starta processen. När produkten piper under processen:
- Öppna dörren. Processen pausas.
- Vänd maten upp och ner, eller skaka eller rör om om det är mindre bitar.
- Stäng dörren.
- Tryck på snabbknappen för att fortsätta processen.
- När processen är klar avger produkten tre pip och displayen visar **END**.

Att använda förinställningar

- Väg mängden mat och kom ihåg vikten.
- Placera maten i mitten av vridplattan.
- Stäng dörren.
- Vrid ratten ett steg moturs för att gå till förinställt läge.
- Vrid på ratten för att välja numret som motsvarar önskad förinställning. Se tabellen nedan för alla förinställningar.
- Tryck på ratten för att välja en förinställning.
- Vrid på ratten för att ställa in matens vikt i kg. Om du till exempel vill tina 600 gram mat ställer du in ratten på **"0,6"**.
- Tryck på snabbknappen för att starta processen.
- När processen är klar avger produkten tre pip och displayen visar **END**.

Kod	Typ av mat	Inställningar
A1	Popcorn	85 - 100 gr
A2	Potatis	0,45 - 0,65 kg
A3	Grönsaker	0,1 - 0,5 kg
A4	Kött*	0,2 - 0,7 kg
A5	Fisk*	0,2 - 0,7 kg
A6	Fjäderfä*	0,2 - 0,7 kg
A7	Lasagne	0,2 - 1 kg
A8	Mjölk/kaffe	0,25 - 0,5 kg
A9	Ris	0,1 - 0,5 kg
A10	Spaghetti**	0,1 - 0,5 kg
A11	Bröd	0,1 - 0,5 kg
A12	Pizza	1-2 artiklar

* måste vändas eller omröras när produkten piper

** måste tillsätta kokande vatten före tillagning

Ställa in fördröjningstiderna

- Fördröjningstiderna kan inte användas med express- och programmerade processer.

Ställ in önskat program. Innan du startar processen:

- Håll Preset-knappen intryckt i 3 sekunder. Timsiffrorna blinkar.

- (I fördröjningstimerfunktionen ställer du in den tid då tillagningen ska starta. Klockan måste vara korrekt inställd för att timern ska fungera (se kapitlet Ställa in tiden).
- Vrid på ratten för att ställa in timmen.
- Tryck på knappen Preset. Minutställningen börjar blinka.
- Vrid på ratten för att ställa in minuterna.
- Tryck på knappen Preset för att avsluta inställningen av fördröjningstiderna. Ett pip hörs och displayen blinkar.
- Processen startar när den inställda tiden har nåtts.
- För att kontrollera den inställda tiden, tryck på förinställningsknappen.
- För att avbryta timern, tryck på pausknappen.

Aktivera barnlåset

- Håll pausknappen intryckt **A** i 3 sekunder. Ett pip hörs, displayen visar **OFF** och ett låssymbol.
- För att inaktivera barnlåset, håll pausknappen intryckt i 3 sekunder.

Garanti

Denna produkt är avsedd för hushållsbruk. Alla ändringar och/eller modifieringar av produkten gör garantin ogiltig. Vi kan inte ta något ansvar för skador som orsakats av felaktig användning av produkten. Normalt slitage omfattas inte av garantin.

Friskrivningsklausul

På grund av den ständiga utvecklingen av våra produkter vad gäller funktion och design förbehåller vi oss rätten att göra ändringar i produkten utan föregående meddelande. Alla logotyper, varumärken och produktnamn är varumärken eller registrerade varumärken som tillhör respektive innehavare och erkänns härmed som sådana.

Bortskaffning



Denna produkt är avsedd för separat insamling vid en lämplig uppsamlingsplats. Produkten får inte kastas i hushållsavfallet. För mer information, kontakta återförsäljaren eller den lokala myndighet som ansvarar för avfallshanteringen.

EU-försäkringen om överensstämmelse

Vi intygar att denna produkt uppfyller tillämplig EU-lagstiftning. EU-försäkringen om överensstämmelse finns på vår webbplats eller kan erhållas på begäran.

FI Pika-aloitusopas

Yhdistelmäuni

16330128 16330130
16330129 16330131



Jos haluat lisätietoja, skannaa etusivulla oleva QR-koodi nähdäksesi laajennetun käyttöoppaan.

Tietoja tästä asiakirjasta

Kiitos, että ostit Melissa Yhdistelmäuni.

Tämä käyttöopas sisältää kaikki tuotteen oikeaan,

tehokkaaseen ja turvalliseen käyttöön liittyvät tiedot. Huolehdi siitä, että olet lukenut ja ymmärtänyt tämän asiakirjan sisältämät ohjeet kokonaan ennen kuin asennat tuotteen tai käytät sitä. Säilytä pakkaus ja tämä asiakirja tulevaa tarvetta varten.

Käytetyt symbolit

VAROITUS	Huomiosana ilmaisee mahdollisesti vaarallista tilannetta, joka voi johtaa kuolemaan tai vakavaan loukkaantumiseen, ellei sitä vältetä.
HUOMIO	Huomiosana ilmaisee mahdollisesti vaarallista tilannetta, joka voi johtaa lievään tai kohtalaiseen loukkaantumiseen, ellei sitä vältetä.
HUOMAUTUS	Huomiosana ilmaisee käytäntöjä, jotka eivät liity fyysiseen vammaan.

Käyttötarkoitus

Tämä tuote on vapaasti sijoitettava mikroaaltouuni. Tuote on tarkoitettu elintarvikkeiden ja juomien lämmittämiseen. Elintarvikkeiden tai vaatteiden kuivaus sekä lämpöyynnin, tossujen, sienien, kosteiden liinojen ja vastaavien lämmittäminen voi aiheuttaa loukkaantumis-, syttymis- tai palovaaran.

Tämä tuote on tarkoitettu vain sisäkäyttöön.

Tätä tuotetta voivat käyttää vähintään 8-vuotiaat lapset ja henkilöt, joilla on heikentyneet fyysiset, sensoriset tai henkiset kyvyt tai joilla ei ole kokemusta tai tietoa, jos heitä on valvottu tai opastettu tuotteen turvallisessa käytössä ja jos he ymmärtävät siihen liittyvät vaarat. Lapset eivät saa leikkiä tuotteella. Lapset eivät saa tehdä puhdistusta ja huolto- ja huoltotoimenpiteitä ilman valvontaa.

Älä anna henkilöiden, joiden fyysinen, aistinvarainen tai henkinen toimintakyky on heikentynyt tai joilla ei ole kokemusta tai tietoa laitteen käytöstä, käyttää tuotetta.

Tuote on tarkoitettu käytettäväksi kotitalouksissa ja muissa vastaavissa:

- myymälöiden, toimistojen ja muiden työympäristöjen henkilökunnan keittiötilat;
- maatilat;
- asiakkaiden toimesta hotelleissa, motelleissa ja muissa asuinympäristöissä;
- bed and breakfast -tyyppiset ympäristöt.

Tuotetta ei ole tarkoitettu ammattikäyttöön.

Tuotteen muutokset voivat vaikuttaa turvallisuuteen, takuuseen ja asianmukaiseen toimintaan.

Tärkeimmät osat (kuva A)

- | | |
|-----------------------|-----------------------|
| 1 Ovi | 7 Näyttö |
| 2 Grilliritilä | 8 Valitsin |
| 3 Lasinen kääntöpöytä | 9 Micro/Power painike |
| 4 Kääntöpöydän rengas | 10 Taukopainike |
| 5 Kara | 11 Pikapainike |
| 6 Virtajohto | 12 Esiasetuspainike |

Turvallisuusohjeet

Huolehdi siitä, että olet lukenut ja ymmärtänyt tämän asiakirjan sisältämät ohjeet kokonaan ennen kuin asennat tuotteen tai käytät sitä. Säilytä pakkaus ja tämä asiakirja tulevaa tarvetta varten.

Käytä tuotetta vain tässä asiakirjassa kuvatulla tavalla.

VAROITUS

Sähköiskun vaara. Tuotteen avaaminen voi paljastaa jännitteisiä osia.

- Älä pura tuotetta; sen sisällä ei ole käyttäjän huollettavissa olevia osia.
- Tätä tuotetta saa huoltaa vain pätevät teknikko.
- Irrota tuote virtalähteestä ennen huoltoa ja osien vaihtamista.

Sähköiskun vaara. Kosketus veteen voi altistaa käyttäjän jännitteisille sähköosille.

- Älä upota tuotetta veteen tai muuhun nesteeseen.
- Irrota tuote virtalähteestä ennen puhdistusta.
- Älä laita tuotetta astianpesukoneeseen.

Sähköiskun vaara. Kun virtajohto on vaurioitunut, sähköpiiri voi paljastua.

- Käytä vain mukana toimitettua virtajohtoa.
- Varmista, että kaapeli on täysin vedetty ulos.
- Kaapelia ei saa kiertää tai kietoa tuotteen ympärille.
- Älä irrota tuotetta pistorasiasta johdosta vetämällä. Tartu aina pistokkeeseen ja vedä.
- Älä anna virtajohdon roikkua pöydän tai työtason reunan yli äläkä kosketa kuumia pintoja.
- Pidä virtajohto ja tuote aina poissa paikoista, joissa kuljetaan paljon.

Kipinä- tai palovaara. Jotkut materiaalit voivat syttyä palamaan altistuessaan mikroaaltoasteilyle.

- Älä käytä grilliritilää mikroaaltouunissa tai yhdistelmäkeittotiloissa. Grilliritilä on asetettava lasiselle pyörivälle alustalle ja sitä saa käyttää vain grillaukseen.
- Käytä vain mikroaaltouunissa käytettäviksi soveltuvia astioita.
- Metallisia elintarvikkeiden ja juomien säilytysastioita ei saa käyttää mikroaaltouunissa.
- Käytä vain tätä uunia varten suositeltua lämpötila-anturia (laitteissa, joissa on lämpötila-anturin käyttöominaisuus).
- Kun lämmität ruokaa muovi- tai paperisäiliöissä, pidä uunia silmällä, koska se voi syttyä palamaan.

Oikosulun aiheuttama palovaara. Vaurioituneet

komponentit voivat ylikuumentua ja syttyä palamaan.

- Älä käytä tuotetta, jos jokin osa on vaurioitunut tai viallinen; vaihda se välittömästi.
- Jos virtajohto vaurioituu, se on vaihdettava erikoiskaapeliin tai kokoonpanoon, joita saa valmistajalta tai sen huoltoedustajalta.

Ylikuumentamisen aiheuttama palovaara. Jos tuote ei voi vapauttaa lämpöä, se voi ylikuumentua ja syttyä **palamaan**.

- Älä peitä tuuletusaukkoja.
- Älä irrota jalkoja tuotteesta.
- Varmista aina, että tuotteen ympärillä on riittävästi tilaa.

- Kun tuote on sijoitettu kaappiin, käytä sitä vain kaapin oven ollessa auki.

Ylikuumenemisen aiheuttama palovaara. Kun tuotetta käytetään ilman sisältöä, se absorboi säteilyn itse. Älä koskaan käynnistä tuotetta tyhjänä.

Loukkaantumisaara. Tuotetta ei ole tarkoitettu alle 8-vuotiaiden lasten käyttöön.

- Pidä laite jatkuvassa valvonnassa käytön aikana.
- Pidä silmällä laitteen lähellä olevia lapsia, kun laite on käytössä.
- Älä koskaan anna lasten tai lemmikkieläinten leikkiä tuotteella.

Vakavan loukkaantumisen ja palovammojen vaara.

Kuumat pinnat ja valvomattoman käytön seurauksena voi aiheutua palovammoja tai loukkaantumisia.

- Irrota tuote virtalähteestä, kun sitä ei käytetä.
- Älä koskaan jätä tuotetta ilman valvontaa, kun lapsia tai haavoittuvia henkilöitä on läsnä.
- Älä käytä tätä tuotetta ulkoisen ajastimen tai erillisen kauko-ohjausjärjestelmän avulla.

Tukehtumisvaara. Älä anna lasten leikkiä

pakkausmateriaalilla. Pidä pakkausmateriaali aina lasten ulottumattomissa.

Mikroaalto säteilyn altistumisen riski.

Tuotteen vaurioituminen voi aiheuttaa mikroaalto säteilyn vuotamisen:

- On vaarallista, että muu kuin pätevä henkilö suorittaa huolto- tai korjaustoimenpiteitä, joihin liittyy mikroaalto säteilyn suojaavan kannen irrottaminen.
- Kun ovi on vaurioitunut, säteily voi vuotaa tuotteesta. Jos ovi, oven tiivisteet tai lukitusjärjestelmä on vaurioitunut, lopeta tuotteen käyttö ja anna pätevän henkilön korjata se.

Myrkyllisten kaasujen tai tulipalon vaara.

Puhdistusjäämät voivat vapauttaa haitallisia kaasuja tai aiheuttaa kipinöitä. Pyyhi aina kaikki puhdistusaineet pois puhdistuksen jälkeen.

⚠️ HUOMIO

Palovammojen vaara. Tuote sekä käytetyt elintarvikkeet ja esineet voivat kuumentua käytön aikana.

- Älä kosketa tämän tuotteen pintaa käytön aikana.
- Nesteitä ja muita elintarvikkeita ei saa lämmittää suljetuissa astioissa, koska ne voivat räjähtää.
- Sekoita tai ravista aina tuttipullojen ja vauvanruokapurkkien sisältöä ja tarkista lämpötila ennen käyttöä, jotta vältät palovammat.
- Kuorellisia munia ja kokonaisia kovaksi keitettyjä munia ei saa lämmittää mikroaaltouunissa, koska ne voivat räjähtää jopa mikroaaltouunin lämmittämisen päätyttyä.
- Tuotteen öljyjen tai rasvojen lämmittäminen kestää kauan, ja astia kuumenee erittäin paljon. Älä koskaan käytä tuotetta öljyjen ja rasvojen lämmittämiseen.

HUOMAUTUS

Oven vaurioitumisvaara. Ovessa on turvalukitus, joka pitää oven kiinni, kun laite on käytössä. Älä koskaan käytä liikaa

voimaa oven avaamiseen. Odota aina, että ovi avautuu.

Veden altistumisen aiheuttama vaurioriski. Kosteus voi vahingoittaa sisäisiä sähköisiä.

- Älä altista tuotetta vedelle, sateelle, korkealle ilmakeudelle tai muulle kosteudelle.
- Älä puhdistu tuotetta höyrypuhdistimella.

Vaurioitumisvaara. Tuote ei ole suojattu voimakkailla iskuiltä. Älä pudota tuotetta ja vältä kolhuja.

Pinnan vaurioitumisvaara. Puhdistusaineet voivat vahingoittaa pintaa. Älä käytä tuotteen puhdistamiseen voimakkaita kemiallisia puhdistusaineita.

Epäpuhtaan tuotteen riski. Tuotteen käyttö ilman lasista kääntöpöytä ja sopivaa astiaa voi aiheuttaa lian kertymistä ja jopa bakteerien kasvua. Käytä tuotetta aina kääntöpöytä asennettuna. Lämmitä ruoka aina mikroaaltouunissa käytettävällä lautasella tai astialla.

Tuotteessa tai pakkauksessa olevien symbolien

selitykset

Symboli **Kuvaus**



Ilmaisee kuumaa pintaa. Kosketus voi aiheuttaa palovammoja. Älä koske.

Tarkista pakkauksen sisältö

Tarkista, että kaikki osat ovat paikallaan ja että niissä ei ole näkyviä vaurioita. Jos osia puuttuu tai ne ovat vaurioituneet, ota yhteyttä asiakaspalveluun osoitteessa: support.melissa-online.com

Tuotteen asentaminen

1. Poista kaikki pakkausmateriaalit tuotteen sisä- ja ulkopuolelta ennen käyttöä.
2. Aseta tuote pystyasentoon tasaiselle ja vakaalle alustalle, joka kestää tuotteen painon (noin 12,5 kg).
i Takana on oltava vähintään 10 cm, sivuilla 5 cm ja yläosassa 20 cm vapaata tilaa, jotta ilmanvaihto on riittävä ja ylikuumeneminen vältetään. Kun laite asennetaan kaappiin, pidä kaapin ovi auki käytön aikana.
3. Tarkista, onko lasinen kääntöpöytä **A6** on oikein paikallaan kääntöpöydän renkaassa **A4** ja akselien **A5**. Lasilevyn pohjassa olevan on oltava kohdakkain kolmen pyörän kanssa.
4. Kytke virtajohto **A6** pistorasiaan. Näyttö **A7** vilkkuu kolme kertaa.

Ajan asettaminen

1. Paina ja pidä painettuna Preset-painiketta **A12** 3 sekunnin ajan. Tuntiluvut vilkkuvat.
2. Käännä valitsinta **A6** tuntien asettamiseksi.
3. Paina Preset-painiketta. Minuuttien numerot vilkkuvat.
4. Käännä valitsinta minuuttien asettamiseksi.
5. Paina Preset-painiketta lopettaaksesi ajan asettamisen.

Tuotteen käyttäminen

Suosittellemme käyttämään lasi-, keraamisia tai

mikroaaltouuninkestäviä muovisia astioita ja välineitä. Älä koskaan käytä seuraavia välineitä tuotessa:

- Suljetut lasipurkit ja pullo
- Lasipullot, joissa on pieni suuaukko
- Suljetut tölkit ja astiat
- Yleiskäyttöiset lämpömittarit
- Hopeafolio
- Kierrätyspaperi
- Kulta- tai hopeakoristeiset lautaset
- Metalleja sisältävät säiliöt

i Jos haluat testata mikroaaltouunia ilman ruokaa, käytä lasillista vettä.

Nopea käyttö

- i** Paina prosessin aikana taukopainiketta keskeyttääksesi prosessin. Paina taukopainiketta kahdesti peruuttaaksesi prosessin.
1. Aseta ruoka kääntöpöydän keskelle.
 2. Sulje ovi.
 3. Paina pikapainiketta **A**. Prosessi käynnistyy välittömästi täydellä teholla 1 minuutin ajaksi.
 4. Voit myös säätää ajastinta painamalla toistuvasti pikapainiketta.
 5. Kun prosessi on valmis, laite antaa 3 äänimerkkiä ja näytössä näkyy **END**.

Manuaalinen käyttö

1. Aseta ruoka kääntöpöydän keskelle.
 2. Sulje ovi.
 3. Paina Micro/Power painiketta **A** toistuvasti valitaksesi haluamasi mikroaaltotehon. Näytössä näkyy mikroaaltoteho prosentteina. Alla olevassa taulukossa on vastaavat tehoarvot.
- i** Mikroaaltotehon lisäksi käytettävissä ovat myös ohjelmat **_G**, **C1** ja **C2**. Lisätietoja on luvuissa Grillitoiminnon käyttö ja Yhdistelmäohjelmien käyttö.

100	800 W
80	640 W
60	480 W
40	320 W
20	160 W

- i** Mikroaaltouunin tehotasot näytetään prosentteina maksimitehosta. Vastaavat tehoarvot ovat suuntaa-antavia eivätkä kiinteitä.
4. Käännä valitsinta halutun kypsennysajan valitsemiseksi.
 - i** Toista tarvittaessa vaiheet 3 ja 4, jos haluat ohjelmoida useita vaiheita. Voit ohjelmoida enintään 4 vaihetta. Kun vaiheen ajastin on päättynyt, tuote jatkaa automaattisesti seuraavaan vaiheeseen.
 5. Paina pikapainiketta käynnistääksesi prosessin. Näytössä näkyy jäljellä oleva aika.
 - i** Voit näyttää mikroaaltotehon prosessin aikana painamalla Micro/Power painiketta.
 6. Kun prosessi on valmis, laite antaa 3 äänimerkkiä ja näytössä näkyy **END**.

Grillitoiminnon käyttö

- i** Käytä grillitoimintoa lihan grillaukseen tai paahdoleipien ja gratiinien valmistukseen.
1. Aseta grilliritilä lasisen kääntöpöydän päälle.
 2. Aseta ruoka grilliritilän keskelle.
 3. Sulje ovi.
 4. Paina Micro/Power painiketta toistuvasti, kunnes näytössä näkyy **_G**.
 5. Käännä valitsinta halutun kypsennysajan valitsemiseksi.
 6. Paina pikapainiketta käynnistääksesi prosessin. Näytössä näkyy jäljellä oleva aika.

Yhdistelmäohjelmien käyttö

- i** Yhdistelmäohjelmat käyttävät mikroaaltotoimintoa ja grillitoimintoa samanaikaisesti.
1. Aseta ruoka kääntöpöydän keskelle.
 2. Sulje ovi.
 3. Paina Micro/Power painiketta toistuvasti, kunnes näytössä näkyy **C1** tai **C2**.

Näyttö	Toiminto	Astiat
C1	30 % mikroaaltouuni, 70 % grilli	Kala, perunat tai gratiinit
C2	55 % mikroaaltouuni, 45 % grilli	Omeletit, uuniperunat tai siipikarja

Sulatus

- i** Käytä tätä toimintoa lihan ja merenelävien sulattamiseen.
1. Punnitse ruoan määrä ja muista paino.
 2. Aseta ruoka kääntöpöydän keskelle.
 3. Sulje ovi.
 4. Paina esiasetuspainiketta valitaksesi oikean sulatusasetuksen alla olevasta taulukosta.
- | Koodi | Ruokatyyppi | Väli |
|-------|-------------|--------------|
| D1 | Liha | 0,1 - 2 kg |
| D2 | Siipikarja | 0,2 - 3 kg |
| D3 | Äyriäiset | 0,1 - 0,9 kg |
5. Käännä valitsinta asettaaksesi ruoan painon kilogrammoina. Esimerkiksi, jos haluat sulattaa 600 grammaa ruokaa, aseta valitsin asentoon **"0,6"**.
 6. Paina pikapainiketta käynnistääksesi prosessin. Kun tuote antaa äänimerkin prosessin aikana:
 7. Avaa ovi. Prosessi keskeytyy.
 8. Käännä ruoka ylösalaisin tai, jos kyseessä on pienempi ruoanpalasia, ravista tai sekoita niitä.
 9. Sulje ovi.
 10. Paina pikapainiketta jatkaaksesi prosessia.
 11. Kun prosessi on valmis, laite antaa 3 äänimerkkiä ja näytössä näkyy **END**.

Esiasetusten käyttäminen

1. Punnitse ruoan määrä ja muista paino.
2. Aseta ruoka kääntöpöydän keskelle.
3. Sulje ovi.
4. Käännä valitsinta yhden askeleen vastapäivään

siirtyäksesi esiasetustilaan.

- Käännä valitsinta valitaksesi haluamasi esiasetuksen numeron. Katso alla olevasta taulukosta kaikki esiasetukset.
- Paina valitsinta valitaksesi esiasetuksen.
- Käännä valitsinta asettaaksesi ruoan painon kilogrammoina. Esimerkiksi, jos haluat sulattaa 600 grammaa ruokaa, aseta valitsin asentoon "0,6".
- Paina pikapainiketta käynnistääksesi prosessin.
- Kun prosessi on valmis, laite antaa 3 äänimerkkiä ja näytössä näkyy **END**.

Koodi	Ruokatyyppe	Asetukset
A1	Popcorn	85 - 100 gr
A2	Perunat	0,45 - 0,65 kg
A3	Vihannekset	0,1 - 0,5 kg
A4	Liha*	0,2 - 0,7 kg
A5	Kala*	0,2 - 0,7 kg
A6	Siipikarja*	0,2 - 0,7 kg
A7	Lasagne	0,2 - 1 kg
A8	Maito/kahvi	0,25 - 0,5 kg
A9	Riisi	0,1 - 0,5 kg
A10	Spagetti**	0,1 - 0,5 kg
A11	Leipä	0,1 - 0,5 kg
A12	Pizza	1–2 tuotetta

* tuote on käännettävä tai sekoitettava, kun se antaa äänimerkin

** lisää kiehuvaa vettä ennen keittämistä

Viiveajastimen asettaminen

i Viiveajastinta ei voi käyttää pikaprosesseissa eikä ohjelmoiduissa prosesseissa.

Aseta haluttu ohjelma. Ennen prosessin aloittamista:

- Paina Preset-painiketta ja pidä sitä painettuna 3 sekunnin ajan. Tuntiluvut vilkkuvat.
- i** (Viiveajastintoinnossa asetet ajan, jolloin kypsennysprosessi alkaa. Kellon on oltava asetettu oikein, jotta ajastin toimii (katso luku Ajan asettaminen).
- Käännä valitsinta asettaaksesi tunnit.
- Paina Preset-painiketta. Minuuttien numerot alkavat vilkkua.
- Käännä valitsinta minuuttien asettamiseksi.
- Paina Preset-painiketta viiveajastimen asetuksen lopettamiseksi. Kuuluu äänimerkki ja näyttö vilkkuu.
- i** Prosessi alkaa, kun asetettu aika on saavutettu.
- Voit tarkistaa asetetun ajan painamalla esiasetuspainiketta.
- Voit peruuttaa ajastimen painamalla taukopainiketta.

Lapsilukon aktivointi

- Paina ja pidä painettuna taukopainiketta **A** 3 sekunnin ajan. Kuuluu äänimerkki, näytössä näkyy **OFF** ja lukkosymboli.
- Poista lapsilukko käytöstä painamalla taukopainiketta 3 sekunnin ajan.

Takuu

Tämä tuote on tarkoitettu kotikäyttöön. Kaikki tuotteeseen tehdyt muutokset ja/tai modifikaatiot mitätöivät takuun. Emme voi ottaa vastuuta tuotteen vääranlaisesta käytöstä aiheutuneista vahingoista. Normaali kuluminen ei kuulu takuun piiriin.

Vastuuvapauslauseke

Koska tuotteitamme kehitetään jatkuvasti toiminnallisesti ja muotoillisesti, pidätämme oikeuden tehdä tuotteeseen muutoksia ilman ennakoilmoitusta. Kaikki logot, tuotemerkit ja tuotenimet ovat haltijoidensa tavaramerkkejä tai rekisteröityjä tavaramerkkejä, ja ne tunnustetaan täten sellaisiksi.

Jätehuolto



Tämä tuote on tarkoitettu erilliskerättäväksi asianmukaisessa keräyspisteessä. Älä hävitä tuotetta kotitalousjätteen mukana. Lisätietoja saat jälleenmyyjältä tai jätehuollosta vastaavalta paikalliselta viranomaiselta.

EU-vaatimustenmukaisuusvakuutus

Vakuutamme, että tämä tuote on EU-lainsäädännön mukainen. EU-vaatimustenmukaisuusvakuutus on saatavilla verkkosivustoltamme tai pyynnöstä.

Hurtigguide

Kombi-mikrobølgeovn

16330128 16330130
16330129 16330131



Hvis du vil ha mer informasjon, kan du skanne QR-koden på forsiden for å se den utvidede bruksanvisningen.

Om dette dokumentet

Takk for at du kjøpte Melissa Kombi-mikrobølgeovn.

Dette dokumentet er brukermanualen og inneholder all nødvendig informasjon for korrekt, effektiv og trygg bruk av produktet.

Sørg for at du har lest og forstått instruksjonene i dette dokumentet før du installerer eller bruker produktet. Ta vare på emballasjen og dette dokumentet for fremtidig referanse.

Brukt symboler

▲ ADVARSEL	Signalord brukt for å indikere en potensielt farlig situasjon som, hvis den ikke unngås, kan føre til død eller alvorlig skade.
▲ FORSIKTIG	Signalord brukt for å indikere en potensielt farlig situasjon som, hvis den ikke unngås, kan føre til mindre eller moderat skade.
LES DETTE	Signalord brukt for å ta opp metoder som ikke er relaterte til fysisk skade.

Tiltenkt bruk

Dette produktet er en frittstående mikrobølgeovn.

Produktet er beregnet på oppvarming av mat og drikke. Tøking av mat eller klær og oppvarming av varmeputer, tøfler, svamper, fuktige kluter og lignende kan medføre fare for personskade, antennelse eller brann.

Dette produktet er kun tiltenkt innendørs bruk.

Dette produktet kan brukes av barn fra 8 år og oppover og personer med reduserte fysiske, sensoriske eller mentale evner eller manglende erfaring og kunnskap, hvis de har fått tilsyn eller instruksjoner om hvordan produktet skal brukes på en sikker måte og forstår farene som er forbundet med det. Barn skal ikke leke med produktet. Rengjøring og bruker vedlikehold skal ikke utføres av barn uten tilsyn. Ikke la personer med redusert fysiske, sensoriske eller mentale evner eller mangel på erfaring og kunnskap på hvordan produktet må betjenes ta i bruk produktet.

Dette produktet er tiltenkt å brukes i hjemmemiljøer og lignende bruksområder som:

- personalkjøkken i butikker, kontorer og andre arbeidsmiljøer;
- gårdsbruk;
- av kunder på hoteller, moteller og andre boliglignende miljøer;
- bed and breakfast-type miljøer.

Produktet er ikke tiltenkt profesjonell bruk.

Eventuelle modifikasjoner av produktet kan ha konsekvenser for sikkerhet, garanti og funksjon.

Hoveddeler (bilde A)

- | | |
|-------------------|-----------------------|
| 1 Dør | 7 Visning |
| 2 Grillrist | 8 Bryter |
| 3 Glassdreieskive | 9 Micro/Power knapp |
| 4 Plateringring | 10 Pause-knapp |
| 5 Spindel | 11 Øyeblikkelig knapp |
| 6 Strømkabel | 12 Preset-knapp |

Sikkerhetsinstruksjoner

Sørg for at du har lest og forstått instruksjonene i dette dokumentet før du installerer eller bruker produktet. Ta vare på emballasjen og dette dokumentet for fremtidig referanse. Bruk kun produktet slik det er beskrevet i dette dokumentet.

⚠ ADVARSEL

Fare for elektrisk støt. Åpning av produktet kan eksponere strømførende deler.

- Ikke demonter produktet; det er ingen deler som kan repareres av brukeren inne i produktet.
- Dette produktet må kun vedlikeholdes av en kvalifisert tekniker.
- Koble produktet fra strømkilden før vedlikehold utføres og når deler skal skiftes ut.

Fare for elektrisk støt. Kontakt med vann kan utsette brukeren for strømførende deler.

- Produktet må ikke nedsenkes i vann eller annen væske.
- Koble roboten fra strømkilden før den rengjøres.
- Ikke legg produktet i oppvaskmaskin.

Fare for elektrisk støt. Når strømkabelen er skadet, kan den elektriske kretsen bli eksponert.

- Bruk kun strømkabelen som fulgte med.
- Sørg for at kabelen er helt utstrakt.
- Kabelen må ikke vris eller vikles rundt produktet.
- Ikke koble fra produktet ved å trekke i kabelen. Hold alltid i støpselet når du trekker.
- Ikke la strømkabelen henge over kanten på bord eller benker eller berøre varme overflater.
- Hold alltid strømkabelen og produktet unna steder der personer vanligvis går.

Risiko for gnister eller brann. Noen materialer kan antennes når de utsettes for mikrobølgestråling.

- Ikke bruk grillristen i mikrobølgeovn eller kombinasjonsmodus. Grillristen må plasseres på glassplaten og kun brukes til grillmatlaging.
- Bruk kun kjøkkenutstyr som er egnet for bruk i mikrobølgeovn.
- Metallbeholdere til mat og drikke er ikke tillatt ved mikrobølgeovnsbruk.
- Bruk kun temperaturføleren som er anbefalt for denne ovnen (for apparater som har mulighet til å bruke en temperaturføler).
- Når du varmer opp mat i plast- eller papirbeholdere, må du holde øye med ovnen på grunn av fare for antennelse.

Brannfare på grunn av kortslutning. Skadede

komponenter kan overopphetes og antennes.

- Ikke bruk produktet hvis noen deler er skadet eller defekte; bytt det ut umiddelbart.
- Hvis strømkabelen er skadet, må den byttes ut med en spesiell kabel eller enhet som er tilgjengelig fra produsenten eller dens serviceleverandør.

Brannfare på grunn av overoppheting. Hvis produktet ikke kan avgi varmen, kan det overopphetes og antennes.

- Ikke blokker ventilasjonsåpningene.
- Ikke fjern føttene fra produktet.
- Sørg alltid for tilstrekkelig plass rundt produktet.
- Når produktet plasseres i et skap, må det kun brukes med skapdøren åpen.

Brannfare på grunn av overoppheting. Når produktet brukes uten noe inni, absorberer det strålingen selv. Start aldri produktet når det er tomt.

Skaderisiko. Produktet er ikke beregnet for bruk av barn under 8 år.

- Hold apparatet under konstant oppsyn mens det er i bruk.
- Hold øye med barn i nærheten av apparatet når det er i bruk.
- La aldri barn eller kjæledyr leke med produktet.

Fare for alvorlige skader og brannskader. Varme overflater og uovervåket drift kan forårsake brannskader eller skader.

- Koble produktet fra strømkilden når det ikke er i bruk.
- La aldri produktet stå uten tilsyn når barn og sårbare personer er til stede.

- Ikke bruk dette produktet med en ekstern timer eller et separat fjernkontrollsystem.

Kvelningsfare. Ikke la barn leke med emballasjematerialet. Oppbevar alltid emballasjematerialet utilgjengelig for barn.

Risiko for eksponering for mikrobølgestråling. Skader på produktet kan føre til at mikrobølgestråling slipper ut:

- Det er farlig for andre enn kompetente personer å utføre service- eller reparasjonsarbeid som innebærer fjerning av et deksel som beskytter mot eksponering for mikrobølgeenergi.
- Når døren er skadet, kan stråling lekke ut fra produktet. Hvis døren, dørpakningene eller låsesystemet er skadet, må du slutte å bruke produktet og få det reparert av en kompetent person.

Fare for giftige gasser eller brann. Rengjøringsrester kan avgis skadelige gasser eller forårsake gnister. Tørk alltid bort alle rengjøringsmidler etter rengjøring.

⚠ FORSIKTIG

Fare for brannskader. Produktet, samt matvarer og gjenstander som brukes, kan bli varme under bruk.

- Ikke berør overflaten på dette produktet under bruk.
- Væsker og andre matvarer må ikke varmes opp i lukkede beholdere, da de kan eksplodere.
- Rør eller rist alltid innholdet i flasker og babytmatglass og sjekk temperaturen før inntak for å unngå brannskader.
- Egg i skallet og hele hardkokte egg bør ikke varmes opp i mikrobølgeovn, da de kan eksplodere, selv etter at oppvarmingen er avsluttet.
- Det tar lang tid å varme opp oljer eller fett i produktet, og beholderen blir ekstremt varm. Bruk aldri produktet til å varme opp oljer og fett.

LES DETTE

Risiko for skade på døren. Døren har en sikkerhetsmekanisme som holder døren lukket når produktet er i bruk. Bruk aldri overdreven kraft når du åpner døren. Vent alltid til døren er låst opp.

Risiko for skade på grunn av eksponering for vann.

Fuktighet kan skade interne elektriske deler.

- Ikke utsett produktet for vann, regn, fuktighet eller høy luftfuktighet.
- Ikke rengjør produktet med en damprens.

Risiko for skade. Produktet er ikke beskyttet mot kraftige støt. Ikke la produktet falle, og unngå støt.

Risiko for skade på overflaten. Rengjøringsmidler kan skade overflatebehandlingen. Ikke bruk aggressive kjemiske rengjøringsmidler når du rengjør produktet.

Risiko for uhygienisk produkt. Bruk av produktet uten glassplaten og en egnet beholder kan føre til opphopning av smuss og til og med bakterievekst. Bruk alltid produktet med glassplaten på plass. Varm alltid maten på en mikrobølgeovnsikker tallerken eller beholder.

Forklaring av symbolene på produktet eller emballasjen



Beskrivelse

Indikasjon på at overflaten er varm. Kontakt kan forårsake brannskader. Ikke berør.

Sjekk innholdet i pakken

Kontroller at alle deler er til stede og at det ikke er synlige skader på delene. Hvis deler mangler eller er skadet, kontakt kundeservice via: support.melissa-online.com

Installasjon av produktet

- Fjern all emballasje fra innsiden og utsiden av produktet før bruk.
- Plasser produktet stående på en flat og stabil overflate som tåler produktets vekt (ca. 12,5 kg).
 - Det må være minst 10 cm klaring bak, 5 cm på sidene og 20 cm på toppen for å sikre tilstrekkelig ventilasjon og unngå overoppheting. Når enheten er installert i et skap, må skapdøren holdes åpen under bruk.
- Kontroller om glassplaten **A** er riktig plassert på dreieskiveringen **A** og spindel **A**. Sporet på bunnen av glassplaten må være på linje med de tre hjulene.
- Koble til strømkabelen **A** i en stikkontakt. Skjermer **A** blinker tre ganger.

Stille inn klokkeslettet

- Trykk og hold inne forhåndsinnstillingsknappen **A** i 3 sekunder. Timetallene blinker.
- Vri på knappen **A** for å stille inn timene.
- Trykk på Preset-knappen. Minuttallene blinker.
- Drei på skiven for å stille inn minuttene.
- Trykk på Preset-knappen for å fullføre innstillingen av tiden.

Bruk av produktet

Vi anbefaler å bruke glass, steingods eller mikrobølgeovnsikre plastbeholdere og kjøkkenredskaper. Bruk aldri følgende kjøkkenredskaper i produktet:

- Forseglede glasskrukker og flasker
- Glassflasker med små åpninger
- Lukkede bokser og beholdere
- Allmenne termometre
- Sølvfolie
- Resirkulert papir
- Tallerkener med gull- eller sølvdekorasjoner
- Beholdere som inneholder metall

i Hvis du vil teste mikrobølgeovnen uten mat, bruk et glass vann.

Rask betjening


i Trykk på pauseknappen under prosessen for å pause prosessen. Trykk to ganger på pauseknappen for å avbryte prosessen.

- Plasser maten midt på dreieskiven.
- Lukk døren.
- Trykk på hurtigknappen **A**. Prosessen starter

umiddelbart med full effekt i 1 minutt.

4. Du kan også trykke gjentatte ganger på hurtigknappen for å justere timeren.
5. Når prosessen er fullført, avgir produktet tre pipelyder, og displayet viser **END**.

Manuell drift

1. Plasser maten midt på dreieskiven.
 2. Lukk døren.
 3. Trykk på Micro/Power knapp **A**  gjentatte ganger for å velge ønsket mikrobølgeeffekt. Displayet viser mikrobølgeeffekten i prosent. Tabellen nedenfor viser tilsvarende wattstyrker.
- i** I tillegg til mikrobølgeeffekt er programmene _G, C1 og C2 også tilgjengelige. Se kapitlene Bruke grillfunksjonen og Bruke kombinasjonsprogrammene for mer informasjon.

100	800 W
80	640 W
60	480 W
40	320 W
20	160 W

- i** Mikrobølgeeffektnivåene vises som prosentandeler av maksimal effekt. De tilsvarende wattverdiene er veiledende og ikke faste.
4. Drei på knappen for å velge ønsket steketid.
 - i** Gjenta trinn 3 og 4 hvis ønskelig, for å programmere flere trinn. Det kan programmeres opptil 4 trinn. Under prosessen fortsetter produktet automatisk til neste trinn når timeren for et trinn er ferdig.
 5. Trykk på hurtigknappen for å starte prosessen. Displayet viser gjenværende tid.
 - i** For å vise mikrobølgeeffekten under prosessen, trykk på Micro/Power knappen.
 6. Når prosessen er fullført, avgir produktet tre pipelyder, og displayet viser **END**.

Bruk av grillfunksjonen

- i** Bruk grillfunksjonen til å grille kjøtt eller lage ristede smørbrød og gratenger.
1. Plasser grillristen på toppen av glassplaten.
 2. Legg maten midt på grillristen.
 3. Lukk døren.
 4. Trykk gjentatte ganger på Micro/Power knappen til displayet viser **_G**.
 5. Drei på knappen for å velge ønsket steketid.
 6. Trykk på hurtigknappen for å starte prosessen. Displayet viser gjenværende tid.

Bruk av kombinasjonsprogrammene

- i** Kombinasjonsprogrammer bruker mikrobølgeovnsfunksjonen og grillfunksjonen samtidig.
1. Plasser maten midt på dreieskiven.
 2. Lukk døren.
 3. Trykk gjentatte ganger på Micro/Power knappen til displayet viser **C1** eller **C2**.

Visning	Funksjon	Retter
C1	30 % mikrobølgeovn, 70 % grill	Fisk, poteter eller gratiner
C2	55 % mikrobølgeovn, 45 % grill	Omelett, bakte poteter eller fjærfe

Avriming

- i** Bruk denne funksjonen til å tine kjøtt og sjømat.
1. Veie mengden mat og husk vekten.
 2. Plasser maten midt på dreieskiven.
 3. Lukk døren.
 4. Trykk på forhåndsinnstillingsknappen for å velge riktig avrimingsinnstilling som vist i tabellen nedenfor.
- | Kode | Type mat | Intervall |
|------|----------|--------------|
| D1 | Kjøtt | 0,1 - 2 kg |
| D2 | Fjærfe | 0,2 - 3 kg |
| D3 | Sjømat | 0,1 - 0,9 kg |
5. Drei på knappen for å stille inn vekten på maten i kg. For eksempel, for å tine 600 gram mat, stiller du knappen på **«0,6»**.
 6. Trykk på hurtigknappen for å starte prosessen. Når produktet piper under prosessen:
 7. Åpne døren. Prosessen stopper.
 8. Vend maten opp ned, eller hvis det er mindre matbiter, rist eller rør dem.
 9. Lukk døren.
 10. Trykk på hurtigknappen for å fortsette prosessen.
 11. Når prosessen er fullført, avgir produktet tre pipelyder, og displayet viser **END**.

Bruk av forhåndsinnstillinger

1. Veie mengden mat og husk vekten.
2. Plasser maten midt på dreieskiven.
3. Lukk døren.
4. Drei hjulet ett hakk mot klokken for å gå inn i forhåndsinnstilt modus.
5. Drei på knappen for å velge nummeret som tilsvarer ønsket forhåndsinnstilling. Se tabellen nedenfor for alle forhåndsinnstillinger.
6. Trykk på dreieknappen for å velge en forhåndsinnstilling.
7. Drei på knappen for å stille inn vekten på maten i kg. For eksempel, for å tine 600 gram mat, stiller du knappen på **«0,6»**.
8. Trykk på hurtigknappen for å starte prosessen.
9. Når prosessen er fullført, avgir produktet tre pipelyder, og displayet viser **END**.

Kode	Type mat	Innstillinger
A1	Popcorn	85 - 100 gr
A2	Poteter	0,45 - 0,65 kg
A3	Grønnsaker	0,1 - 0,5 kg
A4	Kjøtt*	0,2 - 0,7 kg
A5	Fisk*	0,2 - 0,7 kg

A6	Fjærfe*	0,2 - 0,7 kg
A7	Lasagne	0,2 - 1 kg
A8	Melk/kaffe	0,25 - 0,5 kg
A9	Ris	0,1 - 0,5 kg
A10	Spaghetti**	0,1 - 0,5 kg
A11	Brød	0,1 - 0,5 kg
A12	Pizza	1 - 2 varer

* må snus eller røres når produktet piper

** må tilsette kokende vann før tilberedning

Innstilling av forsinkelsestimer

i Forsinkelsestimeren kan ikke brukes med ekspress- og programmerte prosesser.

Still inn ønsket program. Før du starter prosessen:

1. Trykk og hold inne Preset-knappen i 3 sekunder. Timetallene blinker.

i (I forsinkelsestimerfunksjonen angir du tidspunktet når tilberedningsprosessen skal starte. Klokken må være riktig innstilt for at timeren skal fungere (se kapitlet Innstilling av tid).

2. Drei på skiven for å stille inn klokkeslettet.

3. Trykk på Preset-knappen. Minuttallene begynner å blinke.

4. Drei på skiven for å stille inn minuttene.

5. Trykk på Preset-knappen for å fullføre innstillingen av forsinkelsestimeren. Det høres et pip, og displayet blinker.

i Prosessen starter når den innstilte tiden er nådd.

6. For å sjekke den innstilte tiden, trykk på forhåndsinnstillingsknappen.

7. For å avbryte timeren, trykk på pauseknappen.

Aktivering av barnesikring

1. Trykk og hold inne pauseknappen **A10** i 3 sekunder. Det høres et pip, displayet viser **OFF** og et låsesymbol.

2. For å deaktivere barnesikringen, trykk og hold inne pauseknappen i 3 sekunder.

Garanti

Dette produktet er beregnet for bruk i hjemmet. Eventuelle endringer og/eller modifikasjoner på produktet vil ugyldiggjøre garantien. Vi kan ikke påta oss noe ansvar for skader forårsaket av feilaktig bruk av produktet. Normal slitasje er ikke omfattet av garantien.

Ansvarsfraskrivelse

På grunn av den konstante utviklingen av produktene våre når det gjelder funksjon og design, forbeholder vi oss retten til å gjøre endringer i produktet uten varsel. Alle logoer, varemerker og produktnavn er varemerker eller registrerte varemerker som tilhører sine respektive innehavere og anerkjennes herved som sådan.

Kassering



Dette produktet er beregnet for separat innsamling på et egnet oppsamlingssted. Produktet må ikke kastes sammen med husholdningsavfall. For mer informasjon, kontakt forhandleren eller de lokale myndighetene som er ansvarlige for avfallshåndtering.

EU-samsvarserklæring

Vi erklærer at dette produktet oppfyller gjeldende EU-lovgivning. EU-samsvarserklæringen er tilgjengelig på vårt nettsted eller kan fås på forespørsel.

DA Veiledning til hurtig start

Kombineret mikrobølgeovn

16330128 16330130

16330129 16330131



Hvis du vil have flere opplysninger, kan du skanne QR-koden på forsiden for at se den udvidede manual.

Om dette dokument

Tak, fordi du har kjøpt Melissa Kombineret mikrobølgeovn. Dette dokument utgjør brukerveiledningen og inneholder alle opplysninger til korrekt, effektiv og sikker anvendelse av produktet.

Sørg for, at du har læst og forstået instruksjonene i dette dokument fullt ut, før du installerer eller bruker produktet. Gem emballagen og dette dokument, så det sidenhen kan leses.

Anvendte symboler

⚠ ADVARSEL	Signalord, der brukes til å angi en potensielt farlig situation, som, hvis den ikke undgås, kan resultere i død eller alvorlig personskade.
⚠ FORSITIG	Signalord, der brukes til å angi en potensielt farlig situation, som, hvis den ikke undgås, kan resultere i mindre eller moderat personskade.
BEMÆRK	Signalord, der brukes til å adressere praksis, der ikke er relatert til fysisk skade.

Tilsigtet bruk

Dette produkt er en fritstående mikrobølgeovn. Produktet er beregnet til opvarming af mad og drikkevarer. Tørring af mad eller tøj og opvarming af varmepuder, hjemmesko, svampe, fugtige klude og lignende kan medføre risiko for personskade, antændelse eller brand. Dette produkt er kun beregnet til indendørs brug. Dette produkt kan bruges af børn fra 8 år og opefter og personer med nedsatte fysiske, sensoriske eller mentale evner eller manglende erfaring og viden, hvis de er blevet overvåget eller instrueret i at bruge produktet på en sikker måde og forstår de farer, der er forbundet med det. Børn må

ikke lege med produktet. Rengøring og brugerveltilholdelse må ikke udføres af børn uden opsyn. Lad ikke personer med reducerede fysiske, sansemæssige eller mentale evner eller mangel på erfaring og viden om betjening, anvende produktet.

Dette produkt er beregnet til husholdningsbrug og lignende anvendelser, såsom:

- personalekøkkener i butikker, kontorer og andre arbejdsmiljøer;
- gårde;
- af kunder på hoteller, moteller og andre boliglignende miljøer;
- bed and breakfast-lignende omgivelser.

Dette produkt er ikke beregnet til professionel brug.

Enhver modificering af produktet kan have konsekvenser for sikkerhed, garanti og korrekt funktion.

Hoveddele (billede A)

- | | |
|--------------------|--------------------|
| 1 Dør | 7 Skærm |
| 2 Grillrist | 8 Knap |
| 3 Glaspladespiller | 9 Micro/Power knap |
| 4 Drejeplade ring | 10 Pause-knap |
| 5 Spindel | 11 Instant-knap |
| 6 Strømkabel | 12 Knappen Preset |

Sikkerhedsinstruktioner

Sørg for, at du har læst og forstået instruktionerne i dette dokument fuldt ud, før du installerer eller bruger produktet. Gem emballagen og dette dokument, så det sidenhen kan læses.

Brug kun produktet som beskrevet i dette dokument.

⚠ ADVARSEL

Risiko for elektrisk stød. Åbning af produktet kan afsløre strømførende dele.

- Produktet må ikke skilles ad, da der ikke er nogen dele indeni, som kan repareres af brugeren.
- Dette produkt må kun vedligeholdes af en kvalificeret tekniker.
- Afbryd produktet fra strømkilden inden service, og når du udskifter dele.

Risiko for elektrisk stød. Kontakt med vand kan udsætte brugeren for strømførende dele.

- Produktet må ikke nedsænkes i vand eller andre væsker.
- Afbryd produktet fra strømforsyningen før rengøring.
- Produktet må ikke vaskes i opvaskemaskine.

Risiko for elektrisk stød. Hvis strømkablet er beskadiget, kan det elektriske kredsløb blive blottet.

- Brug kun det medfølgende strømkabel.
- Sørg for, at kablet er fuldt udstrakt.
- Kablet må ikke vrides eller vikles rundt om produktet.
- Tag ikke produktet ud af kontakten ved at trække i kablet. Tag altid fat i stikket, og træk det.
- Lad ikke strømkablet hænge over kanten af bordet eller køkkenbordet, eller røre ved varme overflader.
- Hold altid strømkablet og produktet væk fra de sædvanlige stier.

Risiko for gnister eller brand. Nogle materialer kan antændes, når de udsættes for mikrobølgestråling.

- Brug ikke grillristen i mikrobølgeovn eller kombinationsfunktioner. Grillristen skal placeres på glaspladen og må kun bruges til grillmadlavning.
- Brug kun redskaber, der er egnet til brug i mikrobølgeovne.
- Metalliske beholdere til mad og drikkevarer må ikke bruges i mikrobølgeovnen.
- Brug kun den temperaturføler, der anbefales til denne ovn (til apparater, der har mulighed for at bruge en temperaturføler).
- Når du opvarmer mad i plast- eller papirbeholdere, skal du holde øje med ovnen, da der er risiko for antændelse.

Brandfare på grund af kortslutning. Beskadigede komponenter kan blive overophedede og antændes.

- Brug ikke produktet, hvis nogen del er beskadiget eller defekt; udskift det straks.
- Hvis strømkablet er beskadiget, skal det udskiftes med et specielt kabel eller en samling, der er tilgængelig fra producenten eller dennes serviceagent.

Brandfare på grund af overophedning. Hvis produktet ikke kan afgive varme, kan det blive overophedet og antændes.

- Blokér ikke ventilationsåbningerne.
- Fjern ikke fødderne fra produktet.
- Sørg altid for tilstrækkelig plads omkring produktet.
- Når produktet placeres i et skab, må det kun bruges med skabsdøren åben.

Brandfare på grund af overophedning. Når produktet bruges uden noget indeni, absorberer det selv strålingen. Start aldrig produktet, når det er tomt.

Risiko for personskade. Produktet er ikke beregnet til brug af børn under 8 år.

- Hold apparatet under konstant opsyn, mens det er i brug.
- Hold øje med børn i nærheden af apparatet, når det er i brug.
- Lad aldrig børn eller kæledyr lege med produktet.

Risiko for alvorlige skader og forbrændinger. Varme overflader og uovervåget drift kan forårsage forbrændinger eller skader.

- Frakobl produktet fra strømkilden, når det ikke er i brug.
- Lad aldrig produktet stå uden opsyn, når der er børn og sårbare personer til stede.
- Brug ikke dette produkt med en ekstern timer eller et separat fjernbetjeningsystem.

Risiko for kvælning. Lad ikke børn lege med emballagematerialet. Opbevar altid emballagematerialet utilgængeligt for børn.

Risiko for eksponering for mikrobølgestråling. Skader på produktet kan medføre, at mikrobølgestråling slipper ud:

- Det er farligt for andre end kompetente personer at udføre service- eller reparationsarbejde, der indebærer fjernelse af et dæksel, der beskytter mod udsættelse for mikrobølgeenergi.
- Når døren er beskadiget, kan der slippe stråling ud af

produktet. Hvis døren, dørpakningerne eller låsesystemet er beskadiget, skal du stoppe med at bruge produktet og få det repareret af en kompetent person.

Risiko for giftige dampe eller brand. Rengøringsrester kan frigive skadelige dampe eller forårsage gnister. Tør altid alle rengøringsmidler af efter rengøring.

⚠ FORSIGTIG

Risiko for forbrændinger. Produktet og de anvendte fødevarer og genstande kan blive varme under brug.

- Berør ikke overfladen af dette produkt under brug.
- Væsker og andre fødevarer må ikke opvarmes i lukkede beholdere, da de kan eksplodere.
- Omrør eller ryst altid indholdet af sutteflasker og babymadsglas og kontroller temperaturen inden indtagelse for at undgå forbrændinger.
- Æg i skallen og hele hårdkogte æg bør ikke opvarmes i mikrobølgeovne, da de kan eksplodere, selv efter at opvarmningen er afsluttet.
- Opvarmning af olier eller fedtstoffer i produktet tager lang tid, og beholderen bliver meget varm. Brug aldrig produktet til opvarmning af olier og fedtstoffer.

BEMÆRK

Risiko for beskadigelse af døren. Døren har en sikkerhedsmekanisme, der holder døren lukket, når produktet er i brug. Brug aldrig overdreven kraft, når du åbner døren. Vent altid, til døren er låst op.

Risiko for skader som følge af udsættelse for vand. Fugt kan beskadige interne elektriske dele.

- Udsæt ikke produktet for vand, regn, fugt eller høj luftfugtighed.
- Rengør ikke produktet med en damprenser.

Risiko for skader. Produktet er ikke beskyttet mod kraftige stød. Undgå at tabe produktet og undgå stød.

Risiko for beskadigelse af overfladen. Rengøringsmidler kan beskadige overfladebehandlingen. Brug ikke aggressive kemiske rengøringsmidler til rengøring af produktet.

Risiko for et uhygiejnisk produkt. Brug af produktet uden glaspladen og en passende beholder kan medføre ophobning af snavs og endda bakterievækst. Brug altid produktet med glaspladen monteret. Opvarm altid mad på en mikrobølgeovnsegnet tallerken eller beholder.

Forklaring af symbolerne på produktet eller emballagen



Beskrivelse

Indikation for en varm overflade. Kontakt kan forårsage forbrændinger. Rør ikke.

Tjek indholdet i pakken

Kontroller, at alle dele er til stede, og at der ikke er synlige skader på delene. Hvis der mangler eller er beskadigede dele, skal du kontakte helpdesken via: support.melissa-online.com

Installation af produktet

1. Fjern al emballage fra produktets inderside og yderside inden brug.
2. Placer produktet lodret på en plan og stabil overflade, der kan bære produktets vægt (ca. 12,5 kg).
- ❗ Der skal være mindst 10 cm fri plads bagved, 5 cm i siderne og 20 cm ovenpå for at sikre tilstrækkelig ventilation og undgå overophedning. Når enheden er installeret i et skab, skal skabslågen holdes åben under brug.
3. Kontroller, om glaspladen **A②** sidder korrekt på drejeskive-ringen **A④** og spindel **A⑤**. Rillen i bunden af glaspladen skal være på linje med de tre hjul.
4. Sæt strømkablet i **A⑥** i en stikkontakt. Displayet **A⑦** blinker tre gange.

Indstilling af tiden

1. Tryk og hold knappen Preset nede **A⑩** i 3 sekunder. Timetalene blinker.
2. Drej drejeknappen **A⑧** for at indstille timerne.
3. Tryk på knappen Preset. Minutcifrene blinker.
4. Drej skiven for at indstille minutterne.
5. Tryk på knappen Preset for at afslutte indstillingen af tiden.

Brug af produktet

Vi anbefaler at bruge glas-, stentøjs- eller mikrobølgesikre plastbeholdere og redskaber. Brug aldrig følgende redskaber i produktet:

- Forseglede glasbeholdere og flasker
- Glasflasker med små åbninger
- Lukkede dåser og beholdere
- Termometre til generelle formål
- Sølvfolie
- Genbrugspapir
- Tallerkener med guld- eller sølvdekorationer
- Beholdere, der indeholder metal

❗ Hvis du vil teste mikrobølgeovnen uden mad, skal du bruge et glas vand.

Hurtig betjening

- ❗ Tryk på pause-knappen under processen for at sætte processen på pause. Tryk to gange på pause-knappen for at afbryde processen.
1. Placer maden midt på drejeskiven.
2. Luk døren.
3. Tryk på instant-knappen **A⑪**. Processen starter straks med fuld effekt i 1 minut.
4. Du kan eventuelt trykke gentagne gange på instant-knappen for at justere timeren.
5. Når processen er afsluttet, afgiver produktet 3 bip, og displayet viser **END**.

Manuel betjening

1. Placer maden midt på drejeskiven.
2. Luk døren.
3. Tryk på Micro/Power knap **A⑨** gentagne gange for at

vælg den ønskede mikrobølgeeffekt. Displayet viser mikrobølgeeffekten i procent. Tabellen nedenfor viser de tilsvarende wattværdier.

- ❶ Ud over mikrobølgeeffekt er programmerne _G, C1 og C2 også tilgængelige. Se kapitlerne Brug af grillfunktionen og Brug af kombinationsprogrammerne for mere information.

100	800 W
80	640 W
60	480 W
40	320 W
20	160 W

- ❶ Mikrobølgeeffektniveauer vises som procentdele af den maksimale effekt. De tilsvarende effektværdier er vejledende og ikke faste.
- 4. Drej drejeknappen for at vælge den ønskede tilberedningstid.
- ❶ Gentag trin 3 og 4, hvis du ønsker at programmere flere trin. Der kan programmeres op til 4 trin. Under processen fortsætter produktet automatisk til næste trin, når timeren for et trin er færdig.
- 5. Tryk på knappen "Instant" for at starte processen. Displayet viser den resterende tid.
- ❶ For at vise mikrobølgeeffekten under processen skal du trykke på Micro/Power knappen.
- 6. Når processen er afsluttet, afgiver produktet 3 bip, og displayet viser **END**.

Brug af grillfunktionen

- ❶ Brug grillfunktionen til at grille kød eller tilberede ristede sandwich og gratiner.
- 1. Placer grillristen oven på den drejelige glasplade.
- 2. Placer maden midt på grillristen.
- 3. Luk døren.
- 4. Tryk gentagne gange på Micro/Power knappen, indtil displayet viser **G**.
- 5. Drej drejeknappen for at vælge den ønskede tilberedningstid.
- 6. Tryk på knappen "Instant" for at starte processen. Displayet viser den resterende tid.

Brug af kombinationsprogrammerne

- ❶ Kombinationsprogrammer bruger mikrobølge- og grillfunktionen samtidig.
- 1. Placer maden midt på drejeskiven.
- 2. Luk døren.
- 3. Tryk gentagne gange på Micro/Power knappen, indtil displayet viser **C1** eller **C2**.

Skærm	Funktion	Retter
C1	30 % mikrobølgeovn, 70 % grill	Fisk, kartofler eller gratiner
C2	55 % mikrobølgeovn, 45 % grill	Omeletter, bagte kartofler eller fjerkræ

Afrimning

- ❶ Brug denne funktion til at optø kød og fisk og skaldyr.
- 1. Vej mængden af mad og husk vægten.
- 2. Placer maden midt på drejeskiven.
- 3. Luk døren.
- 4. Tryk på forudindstillingsknappen for at vælge den korrekte afrimningsindstilling, som vist i tabellen nedenfor.

Kode	Type mad	Interval
D1	Kød	0,1 - 2 kg
D2	Fjerkræ	0,2 - 3 kg
D3	Fisk og skaldyr	0,1 - 0,9 kg

- 5. Drej drejeknappen for at indstille madens vægt i kg. For eksempel skal du indstille drejeknappen til **"0,6"** for at optø 600 gram mad.
- 6. Tryk på knappen "Instant" for at starte processen. Når produktet bipper under processen:
- 7. Åbn døren. Processen pauses.
- 8. Vend maden på hovedet, eller hvis det drejer sig om mindre stykker mad, ryst eller omrør dem.
- 9. Luk døren.
- 10. Tryk på knappen "Instant" for at fortsætte processen.
- 11. Når processen er afsluttet, afgiver produktet 3 bip, og displayet viser **END**.

Brug af forudindstillinger

- 1. Vej mængden af mad og husk vægten.
- 2. Placer maden midt på drejeskiven.
- 3. Luk døren.
- 4. Drej drejeknappen et trin mod uret for at gå til forudindstillingsfunktionen.
- 5. Drej drejeknappen for at vælge det nummer, der svarer til den ønskede forudindstilling. Se tabellen nedenfor for alle forudindstillinger.
- 6. Tryk på drejeknappen for at vælge en forudindstilling.
- 7. Drej drejeknappen for at indstille madens vægt i kg. For eksempel skal du indstille drejeknappen til **"0,6"** for at optø 600 gram mad.
- 8. Tryk på knappen "Instant" for at starte processen.
- 9. Når processen er afsluttet, afgiver produktet 3 bip, og displayet viser **END**.

Kode	Type mad	Indstillinger
A1	Popcorn	85 - 100 gr
A2	Kartofler	0,45 - 0,65 kg
A3	Grøntsager	0,1 - 0,5 kg
A4	Kød*	0,2 - 0,7 kg
A5	Fisk*	0,2 - 0,7 kg
A6	Fjerkræ*	0,2 - 0,7 kg
A7	Lasagne	0,2 - 1 kg
A8	Mælk/kaffe	0,25 - 0,5 kg
A9	Ris	0,1 - 0,5 kg
A10	Spaghetti**	0,1 - 0,5 kg
A11	Brød	0,1 - 0,5 kg

A12	Pizza	1 - 2 varer
-----	-------	-------------

* skal vendes eller omrøres, når produktet bipper

** skal tilsættes kogende vand inden tilberedning

Indstilling af forsinkelsestimeren

i Forsinkelsestimeren kan ikke bruges sammen med ekspres- og programmerede processer.

Indstil det ønskede program. Før du starter processen:

1. Tryk på Preset-knappen og hold den nede i 3 sekunder. Timetallene blinker.

i (I forsinkelsestimerfunktionen indstiller du det tidspunkt, hvor tilberedningen skal starte. Uret skal være indstillet korrekt, for at timeren kan fungere (se afsnittet Indstilling af klokkeslæt).

2. Drej skiven for at indstille timen.

3. Tryk på knappen Preset. Minutcifrene begynder at blinke.

4. Drej skiven for at indstille minutterne.

5. Tryk på knappen Preset for at afslutte indstillingen af forsinkelsestimeren. Der lyder et bip, og displayet blinker.

i Processen starter, når den indstillede tid er nået.

6. For at kontrollere den indstillede tid skal du trykke på knappen for forudindstilling.

7. For at annullere timeren skal du trykke på pause-knappen.

Aktivisering af børnesikringen

1. Tryk og hold pause-knappen nede **A** i 3 sekunder. Der lyder et bip, displayet viser **OFF** og et låsesymbol.

2. For at deaktivere børnesikringen skal du holde pause-knappen nede i 3 sekunder.


Garanti


Dette produkt er beregnet til husholdningsbrug. Enhver ændring og/eller modifikation af produktet vil gøre garantien ugyldig. Vi kan ikke påtage os noget ansvar for skader forårsaget af forkert brug af produktet. Normal slitage er udelukket fra garantien.

Ansvarsfraskrivelse

På grund af den konstante udvikling af vores produkter med hensyn til funktion og design forbeholder vi os ret til at foretage ændringer i produktet uden varsel. Alle logoer, mærker og produktnavne er varemærker eller registrerede varemærker tilhørende deres respektive indehavere og anerkendes hermed som sådanne.

Bortskaffelse

 Dette produkt er beregnet til separat indsamling på et passende indsamlingssted. Produktet må ikke bortskaffes sammen med husholdningsaffald.

 Kontakt forhandleren eller den lokale myndighed, der er ansvarlig for affaldshåndtering, for at få flere oplysninger.

EU-overensstemmelseserklæring

Vi erklærer, at dette produkt opfylder gældende EU-lovgivning. EU-overensstemmelseserklæringen er tilgængelig på vores hjemmeside eller kan fås efter anmodning.

HU Gyors beüzemelési útmutató

Kombinált mikrohullámú sütő 16330128 16330130
16330129 16330131



További információért a címlapon található

QR-kódot beolvasva megtekintheti a bővített kézikönyvet.

A dokumentummal kapcsolatos tudnivalók

Köszönjük, hogy megvásárolta a Melissa Kombinált mikrohullámú sütő.

Ez a felhasználói kézikönyv tartalmazza az összes információt a termék helyes, hatékony és biztonságos használatához.

Ügyeljen arra, hogy a termék telepítése vagy használata előtt figyelmesen elolvasta és megértette az ebben a dokumentumban található információkat. Tartsa meg a csomagolást és ezt a dokumentumot későbbi használatra.

Felhasznált szimbólumok

▲ FIGYELMEZ-TETÉS!	A jelzőszó olyan, potenciálisan veszélyes helyzetet jelez, amely – amennyiben nem kerülik el – halálhoz vagy súlyos sérüléshez vezethet.
▲ VIGYÁZAT!	A jelzőszó olyan, potenciálisan veszélyes helyzetet jelez, amely – amennyiben nem kerülik el – kisebb vagy mérsékelt súlyos sérüléshez vezethet.
ÉRTESÍTÉS	A jelzőszó olyan fizikai sérüléssel nem járó gyakorlatra hívja fel a figyelmet.

Tervezett felhasználás

Ez a termék egy szabadon álló mikrohullámú sütő.

A termék élelmiszerek és italok melegítésére szolgál.

Élelmiszerek vagy ruhák szárítása, valamint melegítő párnák, papucskok, szivacsok, nedves ruhák és hasonló tárgyak melegítése sérülés, gyulladás vagy tűzveszélyt okozhat.

A termék beltéri használatra készült.

Ezt a terméket 8 éves és idősebb gyermekek, valamint csökkent fizikai, érzékszervi vagy szellemi képességekkel rendelkező, illetve tapasztalat és ismeretek hiányában nem rendelkező személyek is használhatják, ha felügyeletet kaptak, vagy a termék biztonságos használatára vonatkozó utasításokat kaptak, és megértették a termékkel járó veszélyeket. A gyermekek nem játszhatnak a termékkel. A tisztítást és a felhasználói karbantartást gyermekek felügyelet nélkül nem végezhetik.

Ne engedje, hogy csökkent fizikai, szenzoros vagy szellemi

képességű vagy kellő jártassággal vagy kezelési ismeretekkel nem rendelkező személyek használják a terméket.

A termék rendeltetészerűen háztartási célra és hasonló helyeken használható, mint például:

- üzletek, irodák és egyéb munkakörnyezetek személyzeti konyháinak;
- parasztházak;
- szállodákban, motelekben és egyéb lakóépületekben tartózkodó vendégek által;
- panzió típusú szállások.

A termék nem professzionális használatra készült.

A termék bármilyen módosítása befolyásolhatja a biztonságot, a jóállást és a megfelelő működést.

Fő alkatrészek (kép A)

- | | |
|---------------------|--------------------|
| 1 Ajtó | 7 Megjelenítés |
| 2 Grillrács | 8 Tekerőgomb |
| 3 Üveg forgótányér | 9 Micro/Power gomb |
| 4 Forgóasztal gyűrű | 10 Szünet gomb |
| 5 Orsó | 11 Azonnali gomb |
| 6 Tápkábel | 12 Preset gomb |

Biztonsági utasítások

Ügyeljen arra, hogy a termék telepítése vagy használata előtt figyelmesen elolvasta és megértette az ebben a dokumentumban található információkat. Tartsa meg a csomagolást és ezt a dokumentumot későbbi használatra. Kizárólag a jelen dokumentumban leírtak szerint használja a terméket.

▲ FIGYELMEZTETÉS!

Áramütés veszélye. A termék kinyitása esetén feszültség alatt álló alkatrészek lehetnek láthatóak.

- Ne szerelje szét a terméket; a belsejében nincsenek felhasználó által javítható alkatrészek.
- Ezt a terméket karbantartás céljából csak szakképzett szakember szervizelheti.
- Szerviz előtt és alkatrészek cseréjekor szakítsa meg a termék áramellátását.

Áramütés veszélye. A vízzel való érintkezés a felhasználót áram alatt álló alkatrészeknek teheti ki.

- Ne merítse vízbe vagy más folyadékba a terméket.
- Tisztítás előtt húzza ki a robotot az áramellátásból.
- Ne tegye a terméket mosogatógépbe.

Áramütés veszélye. Ha a tápkábel megsérül, az elektromos áramkör szabadon hozzáférhetővé válhat.

- Csak a gyártó által biztosított tápkábelt használja.
- Győződjön meg arról, hogy a kábel teljesen kinyújtva van.
- A kábelt nem szabad csavarni vagy a termék köré tekerni.
- Ne a kábelnél fogva húzza ki a terméket a csatlakozóaljából. Mindig fogja meg a dugót, és húzza ki.
- Ügyeljen arra, hogy a tápkábel ne lógjon le az asztalról vagy a munkalapról, és ne érjen forró felületekhez.
- Mindig tartsa távol a tápkábelt és a terméket a gyakran

használt útvonalaktól.

Szíkra vagy tűzveszély. Egyes anyagok mikrohullámú sugárzás hatására tüzet okozhatnak.

- Ne használja a grillrácsot mikrohullámú sütőben vagy kombinált főzési módokban. A grillrácsot az üveg forgótányérra kell helyezni, és csak grillfőzéshez szabad használni.
- Csak mikrohullámú sütőben használható edényeket használjon.
- Fémtartályok ételek és italok tárolására mikrohullámú sütőben történő főzés során nem megengedettek.
- Csak az ehhez a sütőhöz ajánlott hőmérséklet-érzékelőt használja (azoknál a készülékeknél, amelyek hőmérséklet-érzékelővel rendelkeznek).
- Műanyag vagy papír edényben melegített ételek esetén figyeljen a sütőre, mert azok meggyulladhatnak.

Rövidzárlat okozta tűzveszély. Aszerűlt alkatrészek túlmelegedhetnek és meggyulladhatnak.

- Ne használja a terméket, ha bármely része sérült vagy hibás; azonnal cserélje ki.
- Ha a tápkábel sérült, akkor a gyártótól vagy a hivatalos szervizben beszerezhető speciális kábellel vagy szerelvényekkel kell helyettesíteni.

Túlmelegedés miatti tűzveszély. Ha a termék nem tud hőt leadni, túlmelegedhet és meggyulladhat.

- Ne takarja el a szellőzőnyílásokat.
- Ne távolítsa el a termék lábait.
- Mindig gondoskodjon a termék körül megfelelő helyről.
- Szekrényben történő elhelyezés esetén a terméket csak nyitott szekrényajtóval használja.

Túlmelegedés miatti tűzveszély. Ha a terméket üresen használja, az maga is elnyeli a sugárzást. Soha ne indítsa el a terméket üresen.

Sérülésveszély. A termék nem alkalmas 8 év alatti gyermekek számára.

- A készüléket használat közben folyamatosan figyelje.
- A készülék használata közben figyeljen a közelében tartózkodó gyermekekre.
- Soha ne engedje, hogy gyermekek vagy háziállatok a termékkel játszanak.

Súlyos sérülések és égési sérülések veszélye. A forró felületek és a felügyelet nélküli működés égési sérüléseket vagy sérüléseket okozhat.

- Ha nem használja a terméket, válassza le az áramellátásról.
- Soha ne hagyja felügyelet nélkül a terméket, ha gyermekek és veszélyeztetett személyek vannak a közelben.
- Ne használja a terméket külső időzítővel vagy külső távirányítóval.

Fulladásveszély. Ne hagyja, hogy gyermekek a csomagolóanyaggal játszanak. A csomagolóanyagot mindig tartsa gyermekektől elzárva.

Mikrohullámú sugárzásnak való kitettség kockázata. A termék **megrongálódása** mikrohullámú sugárzás szivárgását okozhatja:

- A mikrohullámú sugárzás elleni védelmet biztosító

burkolat eltávolításával járó szervizelési vagy javítási munkálatokat csak hozzáértő személy végezheti.

- Ha az ajtó megsérül, sugárzás szivároghat ki a termékből. Ha az ajtó, az ajtó tömitései vagy a zárrendszer megsérül, ne használja tovább a terméket, és javíttassa meg egy szakemberrel.

Mérgező füst vagy tüzveszély. A tisztítószer maradványok káros füstöt bocsáthatnak ki vagy szikrákat okozhatnak. A tisztítás után mindig törölje le az összes tisztítószerrel.

⚠ VIGYÁZAT!

Égési sérülések veszélye. A termék, valamint a használt élelmiszerek és tárgyak használat közben felmelegedhetnek.

- Használat közben ne érintse meg a termék felületét.
- A folyadékokat és egyéb élelmiszereket nem szabad lezárt edényben melegíteni, mivel azok felrobbanhatnak.
- Az etetőpalackok és bébiételek tartalmát mindig keverje vagy rázza fel, és fogyasztás előtt ellenőrizze a hőmérsékletét, hogy elkerülje az égési sérüléseket.
- A héjában lévő tojásokat és a keményre főtt tojásokat nem szabad mikrohullámú sütőben melegíteni, mert azok még a mikrohullámú melegítés befejezése után is felrobbanhatnak.
- A termékben lévő olajok vagy zsírok melegítése hosszú időt vesz igénybe, és a tartály rendkívül felmelegszik. Soha ne használja a terméket olajok és zsírok melegítésére.

ÉRTESÍTÉS

Az ajtó megsérülésének veszélye. Az ajtó biztonsági mechanizmussal rendelkezik, amely a termék használatában közben zárva tartja az ajtót. Soha ne alkalmazzon túlzott erőt az ajtó kinyitásakor. Mindig várja meg, amíg az ajtó kinyílik.

Vízhatás okozta károsodás veszélye. A nedvesség

károsíthatja a belső elektromos alkatrészeket.

- Óvja a terméket víztől, esőtől, nedvességtől vagy magas páratartalomtól.
- Ne tisztítsa a terméket gőzborotvával.

Károsodás veszélye. A termék nem védett erős ütések ellen. Ne ejtse le a terméket, és kerülje az ütközéseket.

A felület károsodásának veszélye. A tisztítószer

károsíthatják a felületet. A termék tisztításához ne használjon agresszív vegyi tisztítószereket.

A termék higiéniai kockázata. A termék üveglap és megfelelő edény nélkül történő használata szennyeződések felhalmozódásához, sőt baktériumok szaporodásához is vezethet. A terméket mindig a forgótállal együtt használja. Az ételeket mindig mikrohullámú sütőben használható tányéron vagy edényben melegítse.

A terméken vagy a csomagoláson található szimbólumok magyarázata

Ikron Leírás



Forró felületet jelző figyelmeztetés. Az érintkezés égési sérüléseket okozhat. Ne érjen hozzá.

Ellenőrizze a csomag tartalmát

Ellenőrizze, hogy minden alkatrész megvan-e, és hogy az alkatrészekben nincs-e látható sérülés. Ha alkatrészek hiányoznak vagy sérültek, vegye fel a kapcsolatot az ügyfélszolgálatlal a következő címen: support.melissa-online.com

A termék beüzemelése

1. Használat előtt távolítsa el az összes csomagolást a termék belsejéből és külsőjéről.
2. Helyezze a terméket függőlegesen egy sík és stabil felületre, amely képes elviselni a termék súlyát (kb. 12,5 kg).
- 1 **i** A megfelelő szellőzés és a túlmelegedés elkerülése érdekében hátul legalább 10 cm, oldalt 5 cm, felül pedig 20 cm szabad helyet kell hagyni. Szekrénybe szerelt esetben használat közben tartsa nyitva a szekrény ajtaját.
3. Ellenőrizze, hogy az üveg forgótányér **A3** helyesen van-e elhelyezve a forgótányér gyűrűjén **A4** és az orsó **A5**. Az üveg forgótányér alján található horonynak egy vonalra kell állnia a három kerékkel.
4. Csatlakoztassa a tápkábelt **A6** a konnektorba. A kijelző **A7** háromszor villog.

Az idő beállítás

1. Tartsa lenyomva a Preset gombot **A12** gombot 3 másodpercig. Az óra számjegyei villognak.
2. Forgassa el a tárcsát **A9** forgatásával állítsa be az órákat.
3. Nyomja meg az Előre beállított gombot. A percek számjegyei villognak.
4. Forgassa el a tárcsát a percek beállításához.
5. Nyomja meg a Preset gombot az idő beállításának befejezéséhez.

A termék használata

Üveg, kőanyag vagy mikrohullámú sütőben használható műanyag edények és eszközök használatát javasoljuk. Soha ne használja a következő eszközöket a termékben:


- Zárt üvegedények és palackok
- Kis nyílású üvegpalackok
- Zárt konzervdobozok és tartályok
- Általános célú hőmérők
- Ezüstfólia
- Újrahasznosított papír
- Arany- vagy ezüstdíszítésű tányérok
- Fém tartalmazó konténerek

- 1 **i** Ha étel nélkül szeretné tesztelni a mikrohullámú sütőt, használjon egy pohár vizet.

Gyors működés

- i** A folyamat során nyomja meg a szünet gombot a folyamat szüneteltetéséhez. A szünet gombot kétszer nyomja meg a folyamat törléséhez.
1. Helyezze az ételt a forgótányér közepére.
 2. Csukd be az ajtót.
 3. Nyomja meg az azonnali gombot **A11**. A folyamat azonnali teljes teljesítményen indul és 1 percig tart.
 4. Opcionálisan, az azonnali gombot többször megnyomva állíthatja be az időzítőt.
 5. A folyamat befejezése után a készülék 3 sípólást ad, és a kijelzőn **az END felirat** jelenik meg.

Kézi működtetés

1. Helyezze az ételt a forgótányér közepére.
 2. Csukd be az ajtót.
 3. Nyomja meg a Micro/Power gombot **A**  többször, hogy kiválassza a kívánt mikrohullámú teljesítményt. A kijelzőn a mikrohullámú teljesítmény százalékban jelenik meg. Az alábbi táblázat a megfelelő teljesítményeket mutatja.
- i** A mikrohullámú teljesítmény mellett a _G, C1 és C2 programok is rendelkezésre állnak. További információért lásd a Grillezés funkció használatát és a Kombinált programok használatát fejezeteket.

100	800 W
80	640 W
60	480 W
40	320 W
20	160 W

- i** A mikrohullámú teljesítmény szintjei a maximális kimeneti teljesítmény százalékában vannak feltüntetve. A megfelelő wattértékek tájékoztató jellegűek és nem rögzítettek.
4. Forgassa el a gombot a kívánt főzési idő kiválasztásához.
- i** Ha szükséges, ismétlje meg a 3. és 4. lépést, hogy több szakaszt programozzon. Legfeljebb 4 szakasz programozható. A folyamat során, amikor egy szakasz időzítője lejár, a termék automatikusan folytatja a következő szakaszt.
5. Nyomja meg az azonnali gombot a folyamat elindításához. A kijelzőn megjelenik a hátralévő idő.
- i** A folyamat során a mikrohullámú teljesítmény megjelenítéséhez nyomja meg a Micro/Power gombot.
6. A folyamat befejezése után a készülék 3 sípólást ad, és a kijelzőn **az END felirat** jelenik meg.

A grill funkció használatát

- i** A grill funkcióval húsokat grillezhet, pirított szendvicseket és gratinokat készíthet.
1. Helyezze a grillrácsot az üveg forgótányér tetejére.
 2. Helyezze az ételt a grillrács közepére.
 3. Csukd be az ajtót.
 4. Nyomja meg többször a Micro/Power gombot, amíg a kijelzőn meg nem jelenik a **_G** jelzés.

5. Forgassa el a gombot a kívánt főzési idő kiválasztásához.
6. Nyomja meg az azonnali gombot a folyamat elindításához. A kijelzőn megjelenik a hátralévő idő.

A kombinált programok használata

- i** A kombinált programok egyszerre használják a mikrohullámú és a grill funkciót.
1. Helyezze az ételt a forgótányér közepére.
 2. Csukd be az ajtót.
 3. Nyomja meg többször a Micro/Power gombot, amíg a kijelzőn meg nem jelenik a **C1** vagy **C2**.

Megjelentés	Funkció	Ételek
C1	30% mikrohullámú sütő, 70% grill	Hal, burgonya vagy gratin
C2	55% mikrohullámú sütő, 45% grill	Omlett, sült krumpli vagy baromfi

Leolvasztás

- i** Ezzel a funkcióval húst és tengeri ételeket lehet kiolvasztani.
1. Mérje meg az élelmiszer mennyiségét, és jegyezze meg a súlyt.
 2. Helyezze az ételt a forgótányér közepére.
 3. Csukd be az ajtót.
 4. Nyomja meg az előre beállított gombot, hogy kiválassza a megfelelő leolvasztási beállítást az alábbi táblázatból.

Kód	Élelmiszer típusa	Időköz
D1	Hús	0,1 - 2 kg
D2	Baromfi	0,2 - 3 kg
D3	Tengeri ételek	0,1 - 0,9 kg

5. Forgassa el a gombot, hogy beállítsa az élelmiszer súlyát kg-ban. Például 600 gramm élelmiszer kiolvasztásához állítsa a gombot **„0,6”-ra**.
 6. Nyomja meg az azonnali gombot a folyamat elindításához.
- Ha a termék a folyamat során sípól:
7. Nyissa ki az ajtót. A folyamat szünetel.
 8. Fordítsa meg az ételt, vagy kisebb darabok esetén rázza meg vagy keverje meg.
 9. Csukd be az ajtót.
 10. Nyomja meg az azonnali gombot a folyamat folytatásához.
 11. A folyamat befejezése után a készülék 3 sípólást ad, és a kijelzőn **az END felirat** jelenik meg.

Előzetes beállítások használata

1. Mérje meg az élelmiszer mennyiségét, és jegyezze meg a súlyt.
2. Helyezze az ételt a forgótányér közepére.
3. Csukd be az ajtót.
4. Forgassa el a tárcsát egy lépéssel az óramutató járásával ellentétes irányba, hogy belépjen az előre beállított módba.
5. Forgassa el a tárcsát a kívánt előre beállított értéknek

- megfelelő szám kiválasztásához. Az összes előre beállított értéket az alábbi táblázat tartalmazza.
- Nyomja meg a tárcsát az előre beállított érték kiválasztásához.
 - Forgassa el a gombot, hogy beállítsa az élelmiszer súlyát kg-ban. Például 600 gramm élelmiszer kiolvasztásához állítsa a gombot „**0,6**”-ra.
 - Nyomja meg az azonnali gombot a folyamat elindításához.
 - A folyamat befejezése után a készülék 3 sípólást ad, és a kijelzőn **az END felirat** jelenik meg.

Kód	Élelmiszer típusa	Beállítások
A1	Pattogatott kukorica	85 - 100 gr
A2	Burgonya	0,45 - 0,65 kg
A3	Zöldségek	0,1 - 0,5 kg
A4	Hús*	0,2 - 0,7 kg
A5	Hal*	0,2 - 0,7 kg
A6	Baromfi*	0,2 - 0,7 kg
A7	Lasagne	0,2 - 1 kg
A8	Tej/kávéd	0,25 - 0,5 kg
A9	Rizs	0,1 - 0,5 kg
A10	Spagetti**	0,1 - 0,5 kg
A11	Kenyér	0,1 - 0,5 kg
A12	Pizza	1–2 tétel

* a termék sípólásakor meg kell fordítani vagy meg kell keverni

** főzés előtt forró vizet kell hozzáadni

A késleltetési időzítő beállítása

- A késleltető időzítő nem használható az expressz és a programozott folyamatoknál.
- Állítsa be a kívánt programot. A folyamat megkezdése előtt:
- Tartsa lenyomva a Preset gombot 3 másodpercig. Az óra számjegyei villognak.
 - (A késleltetett időzítő funkcióval beállíthatja, hogy a főzési folyamat mikor kezdődjön. Az időzítő működéséhez az órát helyesen kell beállítani (lásd az Idő beállítása című fejezetet).
 - Forgassa el a tárcsát az óra beállításához.
 - Nyomja meg a Preset gombot. A percek számjegyei villogni kezdenek.
 - Forgassa el a tárcsát a percek beállításához.
 - Nyomja meg a Preset gombot a késleltetési időzítő beállításának befejezéséhez. Egy hangjelzés hallatszik, és a kijelző villog.
 - A folyamat a beállított idő elérése után indul el.
 - A beállított idő ellenőrzéséhez nyomja meg az előre beállított gombot.
 - Az időzítő törléséhez nyomja meg a szünet gombot.

A gyermekzár aktiválása

- Tartsa lenyomva a szünet gombot **A10** gombot 3 másodpercig. Egy hangjelzés hallatszik, a kijelzőn **az OFF felirat** és egy zár szimbólum jelenik meg.

- A gyermekzár deaktiválásához tartsa lenyomva a szünet gombot 3 másodpercig.

Szavatosság

Ez a termék háztartási használatra készült. A terméken végzett bármilyen változtatás és/vagy módosítás a garancia érvényét veszti. A termék nem rendeltetésszerű használatából eredő károkért nem tudunk felelősséget vállalni. A normál elhasználódás nem tartozik a garancia hatálya alá.

Felelősség kizárása

Mivel termékeinket folyamatosan fejlesztjük a funkció és a design tekintetében, fenntartjuk a jogot, hogy a terméken előzetes értesítés nélkül változtatásokat hajtsunk végre. Minden logó, márka és terméknév a megfelelő tulajdonosok védjegye vagy bejegyzett védjegye, és ezúton elismerjük őket.

Ártalmatlanítás



Ezt a terméket a megfelelő gyűjtőhelyen történő elkülönített gyűjtésre szánják. Ne dobja ki a terméket a háztartási hulladékkal együtt. További információért forduljon a kiskereskedőhöz vagy a hulladékgazdálkodásért felelős helyi hatósághoz.

EU-megfelelőségi nyilatkozat

Kijelentjük, hogy ez a termék megfelel a vonatkozó uniós jogszabályoknak. Az EU-megfelelőségi nyilatkozat elérhető a weboldalunkon vagy kérésre rendelkezésre áll.

PL Przewodnik Szybki start

Kombinowana kuchenka mikrofalowa

16330128 16330130
16330129 16330131



Aby uzyskać więcej informacji, zeskanuj kod QR na pierwszej stronie, aby zobaczyć rozszerzoną instrukcję.

Informacje o niniejszym dokumencie

Dziękujemy za zakup produktu Melissa Kombinowana kuchenka mikrofalowa. Niniejszy dokument jest instrukcją użytkownika i zawiera wszystkie informacje dotyczące prawidłowego, skutecznego i bezpiecznego użytkowania produktu. Przed zainstalowaniem lub użyciem produktu należy upewnić się, że instrukcje zawarte w niniejszym dokumencie zostały w pełni przeczytane i zrozumiane. Opakowanie oraz niniejszy dokument należy zachować na przyszłość.

Zastosowane symbole

⚠ OSTRZEŻENIE	Słowo sygnalizujące używane do wskazania potencjalnie niebezpiecznej sytuacji, która, jeśli się jej nie uniknie, może spowodować śmierć lub poważne obrażenia.
----------------------	--

⚠ PRZESTROGA	Słowo sygnalizujące używane do wskazania potencjalnie niebezpiecznej sytuacji, która, jeśli się jej nie uniknie, może spowodować niewielkie lub umiarkowane obrażenia.
UWAGA	Słowo sygnalizujące używane w odniesieniu do praktyk nie związanych z obrażeniami ciała.

Przeznaczenie

Ten produkt jest wolnostojącą kuchenką mikrofalową. Produkt jest przeznaczony do podgrzewania żywności i napojów. Suszenie żywności lub odzieży oraz podgrzewanie poduszek rozgrzewających, kaptci, gąbek, wilgotnych ściereczek i podobnych przedmiotów może prowadzić do ryzyka obrażeń, zapalenia się lub pożaru.

Produkt jest przeznaczony wyłącznie do użytku wewnątrz pomieszczeń.

Niniejszy produkt może być używany przez dzieci w wieku od 8 lat i starsze oraz osoby o ograniczonych zdolnościach fizycznych, sensorycznych lub umysłowych lub osoby nieposiadające doświadczenia i wiedzy, jeśli będą one nadzorowane lub zostaną poinstruowane w zakresie bezpiecznego korzystania z produktu i rozumieją związaną z tym zagrożenia. Dzieci nie powinny bawić się produktem. Czyszczenie i konserwacja nie mogą być wykonywane przez dzieci bez nadzoru.

Nie pozwalaj używać produktu osobom o ograniczonych zdolnościach fizycznych, sensorycznych lub umysłowych lub nie posiadających doświadczenia i wiedzy na temat obsługi produktu.

Ten produkt jest przeznaczony do użytku w gospodarstwie domowym i miejscach o podobnym charakterze, takich jak:

- kuchnie dla personelu w sklepach, biurach i innych miejscach pracy;
- domy wiejskie;
- przez klientów w hotelach, motelach i innych obiektach mieszkalnych;
- środowiska typu bed and breakfast.

Produkt nie jest przeznaczony do użytku zawodowego.

Wszelkie modyfikacje produktu mogą mieć wpływ na bezpieczeństwo, gwarancję i działanie.

Główne części (obraz A)

- | | |
|---------------------------|----------------------------|
| 1 Drzwi | 7 Wyświetlacz |
| 2 Ruszty do grilla | 8 Pokrętko |
| 3 Szklany talerz obrotowy | 9 Przycisk Micro/Power |
| 4 Pierścienie obrotowy | 10 Przycisk pauzy |
| 5 Wrzeczciono | 11 Przycisk natychmiastowy |
| 6 Przewód zasilający | 12 Przycisk Preset |

Instrukcje bezpieczeństwa

Przed zainstalowaniem lub użyciem produktu należy upewnić się, że instrukcje zawarte w niniejszym dokumencie zostały w pełni przeczytane i zrozumiane. Opakowanie oraz niniejszy dokument należy zachować na przyszłość.

Z produktu należy korzystać wyłącznie w sposób opisany w

niniejszym dokumencie.

⚠ OSTRZEŻENIE

Ryzyko porażenia prądem elektrycznym. Otwarcie produktu może spowodować odsłonięcie części pod napięciem.

- Nie należy rozmontowywać produktu; wewnątrz nie ma części, które mogą być naprawiane przez użytkownika.
- Niniejszy produkt może być serwisowany wyłącznie przez wykwalifikowanego technika.
- Przed przystąpieniem do serwisowania i wymiany części odłączyć produkt od źródła zasilania.

Ryzyko porażenia prądem elektrycznym. Kontakt z wodą może narazić użytkownika na kontakt z częściami pod napięciem.

- Nie zanurzaj produktu w wodzie ani innych płynach.
- Przed rozpoczęciem sprzątania odłącz produkt od źródła zasilania.
- Nie należy myć produktu w zmywarce.

Ryzyko porażenia prądem elektrycznym. Uszkodzenie przewodu zasilającego może spowodować odsłonięcie obwodu elektrycznego.

- Używaj wyłącznie zasilacza znajdującego się w zestawie.
- Upewnij się, że kabel jest całkowicie rozciągnięty.
- Kabel nie może być skręcony ani owinięty wokół produktu.
- Nie odłączaj produktu, ciągnąc za kabel. Zawsze należy chwycić wtyczkę i pociągnąć ją.
- Przewód zasilania nie powinien zwiisać przez brzeg stołu lub blatu ani dotykać gorącej powierzchni.
- Zawsze trzymaj kabel zasilający i produkt z dala od standardowych dróg przemieszczania.

Ryzyko iskrzenia lub pożaru. Niektóre materiały mogą zapalić się pod wpływem promieniowania mikrofalowego.

- Nie używaj rusztu do grillowania w trybie mikrofalowym ani w trybie gotowania kombinowanego. Ruszt do grillowania należy umieścić na szklanym talerzu obrotowym i używać wyłącznie do grillowania.
- Należy używać wyłącznie naczyń przeznaczonych do użycia w kuchenkach mikrofalowych.
- Podczas gotowania w kuchenke mikrofalowej nie wolno używać metalowych pojemników na żywność i napoje.
- Należy używać wyłącznie sondy temperatury zalecanej dla tego piekarnika (w przypadku urządzeń wyposażonych w funkcję korzystania z sondy temperatury).
- Podczas podgrzewania żywności w plastikowych lub papierowych pojemnikach należy pilnować piekarnika ze względu na możliwość zapalenia się.

Ryzyko pożaru spowodowane zwarcieniem. Uszkodzone elementy mogą się przegrzać i zapalić.

- Nie używaj produktu, jeśli jakakolwiek jego część jest uszkodzona lub wadliwa; należy ją natychmiast wymienić.
- W przypadku uszkodzenia przewodu zasilającego należy wymienić go z użyciem specjalnego zestawu do kabli, dostępnego u producenta lub u agenta serwisowego.

Ryzyko pożaru spowodowane przegrzaniem. Jeśli produkt nie może odprowadzić ciepła, może się przegrzać i zapalić.

- Nie zasłaniaj otworów wentylacyjnych.
- Nie należy zdejmować nóżek z produktu.
- Zawsze zapewnij wystarczającą ilość miejsca wokół produktu.
- Po umieszczeniu w szafce należy używać produktu wyłącznie przy otwartych drzwiczkach szafki.

Ryzyko pożaru spowodowane przegrzaniem. Gdy produkt jest używany bez zawartości, sam pochłania promieniowanie. Nigdy nie uruchamiaj produktu, gdy jest pusty.

Ryzyko obrażeń. Produkt nie jest przeznaczony do użytku przez dzieci poniżej 8 roku życia.

- Podczas użytkowania urządzenia należy je stale nadzorować.
- Podczas użytkowania urządzenia należy pilnować dzieci znajdujące się w jego pobliżu.
- Nigdy nie pozwalaj dzieciom ani zwierzętom bawić się tym produktem.

Ryzyko poważnych obrażeń i oparzeń. Gorące powierzchnie i praca bez nadzoru mogą spowodować oparzenia lub obrażenia.

- Odluż produkt od źródła zasilania, gdy nie jest używany.
- Nigdy nie pozostawiaj produktu bez nadzoru w obecności dzieci i osób wymagających szczególnej opieki.
- Nie należy obsługiwać tego produktu za pomocą zewnętrznego timera lub oddzielnego systemu zdalnego sterowania.

Ryzyko uduszenia. Nie pozwalaj dzieciom bawić się opakowaniem. Zawsze przechowuj opakowanie w miejscu niedostępnym dla dzieci.

Ryzyko narażenia na promieniowanie mikrofalowe.

Uszkodzenie produktu może spowodować wyciek promieniowania mikrofalowego:

- Wykonanie jakichkolwiek czynności serwisowych lub naprawczych wymagających zdjęcia osłony chroniącej przed ekspozycją na energię mikrofalową przez osoby nieposiadające odpowiednich kompetencji jest niebezpieczne.
- W przypadku uszkodzenia drzwi z urządzenia może wydostawać się promieniowanie. Jeśli drzwi, uszczelki drzwi lub system zamykania są uszkodzone, należy zaprzestać użytkowania urządzenia i zlecić jego naprawę kompetentnej osobie.

Ryzyko wystąpienia toksycznych oparów lub pożaru.

Pozostałości środków czyszczących mogą wydzielać szkodliwe opary lub powodować iskrzenie. Po zakończeniu czyszczenia należy zawsze wytrzeć wszystkie środki czyszczące.

⚠ PRZESTROGA

Ryzyko poparzeń. Produkt oraz używane produkty spożywcze i przedmioty mogą się nagrzewać podczas użytkowania.

- Nie dotykaj powierzchni tego produktu podczas użytkowania.
- Płynów i innych produktów spożywczych nie wolno podgrzewać w zamkniętych pojemnikach, ponieważ mogą one wybuchnąć.
- Zawsze mieszaj lub wstrząśnij zawartością butelek do karmienia i stoiczków z jedzeniem dla niemowląt oraz sprawdź temperaturę przed spożyciem, aby uniknąć poparzeń.
- Jajka w skorupkach i całe jajka na twardo nie powinny być podgrzewane w kuchenkach mikrofalowych, ponieważ mogą eksplodować, nawet po zakończeniu podgrzewania.
- Podgrzewanie olejów lub tłuszczów w produkcie zajmuje dużo czasu, a pojemnik bardzo się nagrzewa. Nigdy nie używaj produktu do podgrzewania olejów i tłuszczów.

UWAGA

Ryzyko uszkodzenia drzwi. Drzwi są wyposażone w mechanizm zabezpieczający, który utrzymuje je w pozycji zamkniętej podczas użytkowania produktu. Nigdy nie należy używać nadmiernej siły podczas otwierania drzwi. Należy zawsze poczekać, aż drzwi zostaną odblokowane.

Ryzyko uszkodzenia w wyniku kontaktu z wodą. Wilgoć może uszkodzić wewnętrzne elementy elektryczne.

- Nie wystawiaj produktu na działanie wody, deszczu, wilgoci lub wysokiej wilgotności.
- Nie czyść produktu za pomocą odkurzacza parowego.

Ryzyko uszkodzenia. Produkt nie jest zabezpieczony przed silnymi uderzeniami. Nie upuszczaj produktu i unikaj uderzeń.

Ryzyko uszkodzenia powierzchni. Środkiczyszczące mogą uszkodzić wykończenie. Nie należy używać agresywnych środków chemicznych do czyszczenia produktu.

Ryzyko niehigienicznego produktu. Używanie produktu bez szklanego talerza obrotowego i odpowiedniego pojemnika może powodować gromadzenie się brudu, a nawet rozwój bakterii. Zawsze używaj produktu z zamontowanym talerzem obrotowym. Zawsze podgrzewaj żywność na talerzu lub w pojemniku nadającym się do użycia w kuchenke mikrofalowej.

Objaśnienie symboli umieszczonych na produkcie lub opakowaniu

Ikona Opis



Wskazanie gorącej powierzchni. Kontakt może powodować oparzenia. Nie dotykać.

Sprawdź zawartość opakowania

Sprawdź, czy wszystkie części są obecne i czy nie ma na nich widocznych uszkodzeń. Jeśli brakuje części lub są one uszkodzone, skontaktuj się z działem obsługi klienta pod adresem: support.melissa-online.com

Instalowanie produktu

1. Przed użyciem usunąć wszystkie opakowania z wnętrza i zewnętrznej części produktu.
2. Umieść produkt w pozycji pionowej na płaskiej i stabilnej powierzchni, która jest w stanie utrzymać ciężar produktu (ok. 12,5 kg).
- i** Aby zapewnić odpowiednią wentylację i uniknąć przegrzania, należy zachować odstęp co najmniej 10 cm z tyłu, 5 cm po bokach i 20 cm u góry. W przypadku instalacji w szafce należy podczas użytkowania pozostawić otwarte drzwi szafki.
3. Sprawdź, czy szklany talerz obrotowy **A3** jest prawidłowo osadzony na pierścieniu talerza obrotowego **A4** i wrzecionie **A5**. Rowek na spodzie szklanego talerza obrotowego musi być wyrównany z trzema kółkami.
4. Podłącz kabel zasilający **A6** do gniazdka elektrycznego. Wyświetlacz **A7** miga trzy razy.

Ustawienie godziny

1. Naciśnij i przytrzymaj przycisk Preset **A2** przez 3 sekundy. Cyfry godziny zaczną migać.
2. Przekręć pokrętkę **A3**, aby ustawić godziny.
3. Naciśnij przycisk Preset. Cyfry minut migają.
4. Obróć pokrętkę, aby ustawić minuty.
5. Naciśnij przycisk Preset, aby zakończyć ustawianie czasu.

Użytkowanie produktu

Zalecamy stosowanie naczyń i przyborów kuchennych wykonanych ze szkła, kamionki lub tworzyw sztucznych nadających się do użycia w kuchence mikrofalowej. Nigdy nie należy używać w produkcie następujących przyborów kuchennych:

- Szczelnie zamknięte szklane słoiki i butelki
 - Szklane butelki z małymi otworami
 - Zamknięte puszki i pojemniki
 - Termometry ogólnego zastosowania
 - Srebrna folia
 - Papier z recyklingu
 - Talerze ze złotymi lub srebrnymi zdobieniami
 - Pojemniki zawierające jakikolwiek metal
- i** Jeśli chcesz przetestować kuchenkę mikrofalową bez jedzenia, użyj szklanki wody.

Szybka obsługa

- i** W trakcie procesu naciśnij przycisk pauzy, aby go wstrzymać. Naciśnij dwukrotnie przycisk pauzy, aby anulować proces.
1. Umieść potrawę na środku obrotnicy.
 2. Zamknij drzwi.
 3. Naciśnij przycisk natychmiastowy **A11**. Proces rozpocznie się natychmiast z pełną mocą i potrwa 1 minutę.
 4. Opcjonalnie, naciskaj wielokrotnie przycisk natychmiastowy, aby wyregulować timer.

5. Po zakończeniu procesu urządzenie wyemituje 3 sygnały dźwiękowe, a na wyświetlaczu pojawi się **komunikat END**.

Obsługa ręczna

1. Umieść potrawę na środku obrotnicy.
 2. Zamknij drzwi.
 3. Naciśnij przycisk Micro/Power **A9** w celu wybrania żądanej mocy mikrofalowej. Wyświetlacz pokazuje moc mikrofalową w procentach. Poniższa tabela przedstawia odpowiadające jej wartości mocy w watach.
- i** Oprócz mocy mikrofalowej dostępne są również programy _G, C1 i C2. Więcej informacji można znaleźć w rozdziałach Korzystanie z funkcji grilla i Korzystanie z programów kombinowanych.

100	800 W
80	640 W
60	480 W
40	320 W
20	160 W

- i** Poziomy mocy mikrofalowej są wyświetlane jako procent maksymalnej mocy wyjściowej. Odpowiednie wartości mocy są orientacyjne i nie są stałe.
4. Obróć pokrętkę, aby wybrać żądany czas gotowania.
 - i** W razie potrzeby powtórz kroki 3 i 4, aby zaprogramować wiele etapów. Można zaprogramować maksymalnie 4 etapy. Podczas procesu, po zakończeniu timera danego etapu, produkt automatycznie przechodzi do następnego etapu.
 5. Naciśnij przycisk „instant”, aby rozpocząć proces. Wyświetlacz pokazuje pozostały czas.
 - i** Aby wyświetlić moc mikrofalową podczas procesu, naciśnij przycisk Micro/Power.
 6. Po zakończeniu procesu urządzenie wyemituje 3 sygnały dźwiękowe, a na wyświetlaczu pojawi się **komunikat END**.

Korzystanie z funkcji grillowania

- i** Funkcja grillowania służy do grillowania mięsa lub przygotowywania tostów i zapiekank.
1. Umieść ruszt grillowy na szklanym obrotowym talerzu.
 2. Umieść potrawę na środku rusztu.
 3. Zamknij drzwi.
 4. Naciskaj wielokrotnie przycisk Micro/Power, aż na wyświetlaczu pojawi się **_G**.
 5. Obróć pokrętkę, aby wybrać żądany czas gotowania.
 6. Naciśnij przycisk „instant”, aby rozpocząć proces. Wyświetlacz pokazuje pozostały czas.

Korzystanie z programów łączonych

- i** Programy kombinowane wykorzystują jednocześnie funkcję mikrofalową i funkcję grilla.
1. Umieść potrawę na środku obrotnicy.
 2. Zamknij drzwi.
 3. Naciskaj wielokrotnie przycisk Micro/Power, aż na wyświetlaczu pojawi się **C1** lub **C2**.

Wyświetlacz	Funkcja	Naczynia
C1	30% mikrofalówka, 70% grill	Ryby, ziemniaki lub zapiekanki
C2	55% mikrofalówka, 45% grill	Omlety, pieczone ziemniaki lub drób

Rozmrażanie

- i** Użyj tej funkcji do rozmrażania mięsa i owoców morza.
- Zważ ilość jedzenia i zapamiętaj wagę.
 - Umieść potrawę na środku obrotnicy.
 - Zamknij drzwi.
 - Naciśnij przycisk ustawień wstępnych, aby wybrać odpowiednie ustawienie rozmrażania przedstawione w poniższej tabeli.

Kod	Rodzaj żywności	Odstęp czasowy
D1	Mięso	0,1 - 2 kg
D2	Drób	0,2 - 3 kg
D3	Owoce morza	0,1 - 0,9 kg

- Obróć pokrętko, aby ustawić wagę potrawy w kilogramach. Na przykład, aby rozmrozić 600 gramów potrawy, ustaw pokrętko na „**0,6**”.
- Naciśnij przycisk „natychmiast”, aby rozpocząć proces. Gdy produkt wydaje sygnał dźwiękowy podczas procesu:
- Otwórz drzwi. Proces zostanie wstrzymany.
- Odwróć jedzenie do góry nogami lub, w przypadku mniejszych kawałków, potrząśnij nim lub wymieszaj.
- Zamknij drzwi.
- Naciśnij przycisk „natychmiast”, aby kontynuować proces.
- Po zakończeniu procesu urządzenie wyemituje 3 sygnały dźwiękowe, a na wyświetlaczu pojawi się **komunikat END**.

Korzystanie z zapisanych ustawień

- Zważ ilość jedzenia i zapamiętaj wagę.
- Umieść potrawę na środku obrotnicy.
- Zamknij drzwi.
- Obróć pokrętko o jeden skok w lewo, aby przejść do trybu ustawień wstępnych.
- Obróć pokrętko, aby wybrać numer odpowiadający żądanemu ustawieniu. Wszystkie ustawienia znajdziesz w tabeli poniżej.
- Naciśnij pokrętko, aby wybrać ustawienie wstępne.
- Obróć pokrętko, aby ustawić wagę potrawy w kilogramach. Na przykład, aby rozmrozić 600 gramów potrawy, ustaw pokrętko na „**0,6**”.
- Naciśnij przycisk „natychmiast”, aby rozpocząć proces.
- Po zakończeniu procesu urządzenie wyemituje 3 sygnały dźwiękowe, a na wyświetlaczu pojawi się **komunikat END**.

Kod	Rodzaj żywności	Ustawienia
A1	Popcorn	85 - 100 gr
A2	Ziemniaki	0,45 - 0,65 kg

A3	Warzywa	0,1 - 0,5 kg
A4	Mięso*	0,2 - 0,7 kg
A5	Ryba*	0,2 - 0,7 kg
A6	Drób*	0,2 - 0,7 kg
A7	Lasagne	0,2 - 1 kg
A8	Mleko/kawa	0,25 - 0,5 kg
A9	Ryż	0,1 - 0,5 kg
A10	Spaghetti**	0,1 - 0,5 kg
A11	Chleb	0,1 - 0,5 kg
A12	Pizza	1-2 pozycje

* należy odwrócić lub wymieszać, gdy produkt wyda sygnał dźwiękowy

** przed gotowaniem należy dodać wrzącą wodę

Ustawianie timera opóźnienia

i Timer opóźnienia nie może być używany w procesach ekspresowych i zaprogramowanych.

Ustaw żądany program. Przed rozpoczęciem procesu:

- Naciśnij i przytrzymaj przycisk Preset przez 3 sekundy. Cyfry godziny zaczną migać.
- i** (W funkcji opóźnienia startu można ustawić czas, w którym ma rozpocząć się proces gotowania. Aby funkcja działała, zegar musi być prawidłowo ustawiony (patrz rozdział Ustawianie czasu).
- Obróć pokrętko, aby ustawić godzinę.
- Naciśnij przycisk Preset. Cyfry minutowe zaczną migać.
- Obróć pokrętko, aby ustawić minutę.
- Naciśnij przycisk Preset, aby zakończyć ustawianie timera opóźnienia. Rozlegnie się sygnał dźwiękowy, a wyświetlacz zacznie migać.
- i** Proces rozpoczyna się po upływie ustawionego czasu.
- Aby sprawdzić ustawiony czas, naciśnij przycisk preset.
- Aby wyłączyć minutnik, naciśnij przycisk pauzy.

Włączanie blokady przed dziećmi

- Naciśnij i przytrzymaj przycisk pauzy **A10** przez 3 sekundy. Rozlegnie się sygnał dźwiękowy, a na wyświetlaczu pojawi się **napis OFF** i symbol kłódki.
- Aby wyłączyć blokadę przed dziećmi, naciśnij i przytrzymaj przycisk pauzy przez 3 sekundy.

Gwarancja

Ten produkt jest przeznaczony do użytku domowego. Wszelkie zmiany i/lub modyfikacje produktu spowodują unieważnienie gwarancji. Nie ponosimy odpowiedzialności za szkody spowodowane niewłaściwym użytkowaniem produktu. Normalne zużycie nie jest objęte gwarancją.

Wyłączenie odpowiedzialności

Ze względu na ciągły rozwój naszych produktów pod względem funkcji i wzornictwa, zastrzegamy sobie prawo do wprowadzania zmian w produkcie bez powiadomienia. Wszystkie logotypy, marki i nazwy produktów są znakami towarowymi lub zastrzeżonymi znakami towarowymi ich odpowiednich właścicieli i są niniejszym uznawane za takie.

Utylizacja



Ten produkt jest przeznaczony do selektywnej zbiórki w odpowiednim punkcie zbiórki. Nie wyrzucać produktu razem z odpadami domowymi. Aby uzyskać więcej informacji, należy skontaktować się ze sprzedawcą lub lokalnymi władzami odpowiedzialnymi za gospodarke odpadami.

Deklaracja zgodności UE

Oświadczamy, że ten produkt jest zgodny z odpowiednimi przepisami UE. Deklaracja zgodności UE jest dostępna na naszej stronie internetowej lub można ją uzyskać na żądanie.

EL Οδηγός γρήγορης εκκίνησης

Φούρνος μικροκυμάτων Combi

16330128 16330130
16330129 16330131



Για περισσότερες πληροφορίες, σαρώστε τον κωδικό QR στην πρώτη σελίδα για να δείτε το εκτεταμένο εγχειρίδιο.

Σχετικά με αυτό το έγγραφο

Σας ευχαριστούμε που αγοράσατε το Melissa Φούρνος μικροκυμάτων Combi.

Αυτό το έγγραφο αποτελεί το εγχειρίδιο χρήσης και περιλαμβάνει όλες τις πληροφορίες για τη σωστή, την αποτελεσματική και ασφαλή χρήση του προϊόντος. Βεβαιωθείτε ότι έχετε διαβάσει και κατανοήσει αυτές τις οδηγίες πριν εγκαταστήσετε ή χρησιμοποιήσετε το προϊόν. Κρατήστε τη συσκευασία και το κείμενο για μελλοντική αναφορά.

Σύμβολα που χρησιμοποιούνται

⚠ ΠΡΟΕΙΔΟΠΟΙΗΣΗ	Προειδοποιητική λέξη που χρησιμοποιείται για να υποδείξει μια δυνητική επικίνδυνη κατάσταση που αν δεν αποφευχθεί, μπορεί να προκαλέσει θάνατο ή σοβαρό τραυματισμό.
⚠ ΠΡΟΣΟΧΗ	Προειδοποιητική λέξη που χρησιμοποιείται για να υποδείξει μια δυνητική επικίνδυνη κατάσταση που αν δεν αποφευχθεί, μπορεί να προκαλέσει ελαφρύ ή μέτριο τραυματισμό.
ΕΙΔΟΠΟΙΗΣΗ	Προειδοποιητική λέξη που χρησιμοποιείται για να προσδιορίσει πρακτικές που δεν σχετίζονται με σωματικό τραυματισμό.

Προοριζόμενη χρήση

Αυτό το προϊόν είναι ένας αυτόνομος φούρνος μικροκυμάτων.

Το προϊόν προορίζεται για τη θέρμανση τροφίμων και

ποτών. Η ξήρανση τροφίμων ή ρούχων και η θέρμανση θερμαντικών μαξιλαριών, παντοφλών, σφουγγαριών, υγρών πανιών και παρόμοιων αντικειμένων μπορεί να οδηγήσει σε κίνδυνο τραυματισμού, ανάφλεξης ή πυρκαγιάς.

Το προϊόν αυτό προορίζεται αποκλειστικά για χρήση σε εσωτερικό χώρο.

Αυτό το προϊόν μπορεί να χρησιμοποιηθεί από παιδιά ηλικίας από 8 ετών και άνω και από άτομα με μειωμένες σωματικές, αισθητηριακές ή διανοητικές ικανότητες ή έλλειψη εμπειρίας και γνώσεων, εφόσον έχουν λάβει επίβλεψη ή οδηγίες σχετικά με τη χρήση του προϊόντος με ασφαλή τρόπο και κατανοούν τους κινδύνους που ενέχει. Τα παιδιά δεν πρέπει να παίζουν με το προϊόν. Ο καθαρισμός και η συντήρηση από τον χρήστη δεν πρέπει να γίνεται από παιδιά χωρίς επίβλεψη.

Μην αφήνετε άτομα με μειωμένες σωματικές, αισθητηριακές ή διανοητικές ικανότητες ή χωρίς εμπειρία και γνώσεις σχετικά με τον τρόπο λειτουργίας, να χρησιμοποιούν το προϊόν.

Το προϊόν προορίζεται αποκλειστικά για το σπίτι και παρόμοιους χώρους όπως:

- χώροι κουζίνας για το προσωπικό σε καταστήματα, γραφεία και άλλους χώρους εργασίας
- αγροικίες;
- από πελάτες σε ξενοδοχεία, μοτέλ και άλλα περιβάλλοντα τύπου κατοικίας.
- περιβάλλοντα τύπου bed and breakfast.

Το προϊόν δεν πρέπει χρησιμοποιείται για επαγγελματική χρήση.

Οποιαδήποτε τροποποίηση του προϊόντος μπορεί να έχει επιπτώσεις στην ασφάλεια, την εγγύηση και τη σωστή λειτουργία.

Κύρια μέρη (εικόνα Α)

- 1 Πόρτα
- 2 Σχάρα ψησίματος
- 3 Γυάλινη περιστρεφόμενη βάση
- 4 Δίσκος περιστροφής
- 5 Αξονας
- 6 Καλώδιο ρεύματος
- 7 Εμφάνιση
- 8 Περιστροφικός διακόπτης
- 9 Κουμπί Micro/Power
- 10 Κουμπί παύσης
- 11 Κουμπί άμεσης πρόσβασης
- 12 Κουμπί Preset

Οδηγίες ασφάλειας

Βεβαιωθείτε ότι έχετε διαβάσει και κατανοήσει αυτές τις οδηγίες πριν εγκαταστήσετε ή χρησιμοποιήσετε το προϊόν. Κρατήστε τη συσκευασία και το κείμενο για μελλοντική αναφορά.

Χρησιμοποιείτε το προϊόν μόνο όπως περιγράφεται στο παρόν έγγραφο.

⚠ ΠΡΟΕΙΔΟΠΟΙΗΣΗ

Κίνδυνος ηλεκτροπληξίας. Το άνοιγμα του προϊόντος μπορεί να εκθέσει μέρη που βρίσκονται υπό τάση.

- Μην αποσυναρμολογείτε το προϊόν. Δεν υπάρχουν εξαρτήματα που μπορούν να επισκευαστούν από τον χρήστη στο εσωτερικό του.

- Αυτό το προϊόν μπορεί να συντηρηθεί μόνο από εξειδικευμένο τεχνικό για συντήρηση.
- Αποσυνδέστε το προϊόν από το ρεύμα πριν από το σέρβις και κατά την αντικατάσταση εξαρτημάτων.

Κίνδυνος ηλεκτροπληξίας. Η επαφή με νερό μπορεί να εκθέσει τον χρήστη σε μέρη που βρίσκονται υπό τάση.

- Μην βυθίζετε το προϊόν στο νερό ή σε οποιοδήποτε άλλο υγρό.
- Αποσυνδέστε το προϊόν από την πρίζα πριν από την καθαριότητα.
- Μην τοποθετείτε το προϊόν στο πλυντήριο πιάτων.

Κίνδυνος ηλεκτροπληξίας. Όταν το καλώδιο τροφοδοσίας είναι κατεστραμμένο, το ηλεκτρικό κύκλωμα μπορεί να εκτεθεί.

- Χρησιμοποιείτε μόνο το παρεχόμενο καλώδιο ρεύματος.
- Βεβαιωθείτε ότι το καλώδιο είναι πλήρως τεντωμένο.
- Το καλώδιο δεν πρέπει να είναι στριμμένο ή τυλιγμένο γύρω από το προϊόν.
- Μην αποσυνδέετε το προϊόν τραβώντας από το καλώδιο. Να κρατάτε πάντα γερά την πρίζα και να τραβάτε.
- Το καλώδιο δεν πρέπει να κρέμεται από την άκρη του τραπεζιού ή του πάγκου ή να έρχεται σε επαφή με τις θέρμες επιφάνειες.
- Πάντα να διατηρείτε το καλώδιο ρεύματος και το προϊόν μακριά από διαδρόμους που συνήθως χρησιμοποιείτε.

Κίνδυνος σχηματισμού σπινθήρων ή πυρκαγιάς.

Ορισμένα υλικά μπορούν να προκαλέσουν πυρκαγιά όταν εκτίθενται σε ακτινοβολία μικροκυμάτων.

- Μην χρησιμοποιείτε τη σχάρα ψησίματος σε φούρνο μικροκυμάτων ή σε συνδυαστικές λειτουργίες μαγειρέματος. Η σχάρα ψησίματος πρέπει να τοποθετείται πάνω στον γυάλινο περιστρεφόμενο δίσκο και να χρησιμοποιείται μόνο για ψήσιμο στη σχάρα.
- Χρησιμοποιείτε μόνο σκεύη που είναι κατάλληλα για χρήση σε φούρνους μικροκυμάτων.
- Τα μεταλλικά δοχεία για τρόφιμα και ποτά δεν επιτρέπονται κατά το μαγείρεμα στο φούρνο μικροκυμάτων.
- Χρησιμοποιείτε μόνο τον αισθητήρα θερμοκρασίας που συνιστάται για αυτόν τον φούρνο (για συσκευές που διαθέτουν δυνατότητα χρήσης αισθητήρα θερμοκρασίας).
- Όταν θερμαίνετε φαγητό σε πλαστικά ή χάρτινα δοχεία, παρακολουθήστε τον φούρνο λόγω του κινδύνου ανάφλεξης.

Κίνδυνος πυρκαγιάς λόγω βραχυκυκλώματος.

Τα κατεστραμμένα εξαρτήματα μπορεί να υπερθερμανθούν και να αναφλεγούν.

- Μην χρησιμοποιείτε το προϊόν εάν κάποιο μέρος του είναι κατεστραμμένο ή ελαττωματικό. Αντικαταστήστε το αμέσως.
- Αν το καλώδιο ισχύος έχει βλάβη, πρέπει να αντικατασταθεί από ένα ειδικό καλώδιο ή εξοπλισμό του κατασκευαστή ή του σέρβις.

Κίνδυνος πυρκαγιάς λόγω υπερθέρμανσης. Εάν το προϊόν δεν μπορεί να αποβάλλει τη θερμότητα, μπορεί να

υπερθερμανθεί και να αναφλεγεί.

- Μην φράζετε τα ανοίγματα εξαερισμού.
- Μην αφαιρείτε τα πόδια από το προϊόν.
- Φροντίστε πάντα να υπάρχει επαρκής χώρος γύρω από το προϊόν.
- Όταν τοποθετείται σε ντουλάπι, χρησιμοποιήστε το προϊόν μόνο με την πόρτα του ντουλαπιού ανοιχτή.

Κίνδυνος πυρκαγιάς λόγω υπερθέρμανσης. Όταν το προϊόν χρησιμοποιείται χωρίς να περιέχει τίποτα, απορροφά την ακτινοβολία. Μην ενεργοποιείτε ποτέ το προϊόν όταν είναι άδειο.

Κίνδυνος τραυματισμού. Το προϊόν δεν είναι σχεδιασμένο για χρήση από παιδιά κάτω των 8 ετών.

- Κατά τη χρήση της συσκευής, να την παρακολουθείτε συνεχώς.
- Προσέχετε τα παιδιά που βρίσκονται κοντά στη συσκευή όταν αυτή είναι σε λειτουργία.
- Μην επιτρέπετε ποτέ σε παιδιά ή κατοικίδια ζώα να παίζουν με το προϊόν.

Κίνδυνος σοβαρών τραυματισμών και εγκαυμάτων. Οι

καυτές επιφάνειες και η λειτουργία χωρίς επίβλεψη ενδέχεται να προκαλέσουν εγκαυματα ή τραυματισμούς.

- Αποσυνδέστε το προϊόν από την πηγή τροφοδοσίας όταν δεν το χρησιμοποιείτε.
- Ποτέ μην αφήνετε το προϊόν χωρίς επίβλεψη όταν υπάρχουν παιδιά και ευάλωτα άτομα.
- Μην χρησιμοποιείτε αυτό το προϊόν με εξωτερικό χρονοδιακόπτη ή ξεχωριστό σύστημα τηλεχειρισμού.

Κίνδυνος ασφυξίας. Μην αφήνετε τα παιδιά να παίζουν με το υλικό συσκευασίας. Φυλάξτε πάντα το υλικό συσκευασίας μακριά από τα παιδιά.

Κίνδυνος έκθεσης σε ακτινοβολία μικροκυμάτων. Η

ζημιά στο προϊόν μπορεί να προκαλέσει διαρροή ακτινοβολίας μικροκυμάτων:

- Είναι επικίνδυνο για οποιονδήποτε εκτός από αρμόδιο πρόσωπο να πραγματοποιεί οποιαδήποτε εργασία συντήρησης ή επισκευής που περιλαμβάνει την αφαίρεση καλύμματος που παρέχει προστασία από την έκθεση σε ενέργεια μικροκυμάτων.
- Όταν η πόρτα είναι κατεστραμμένη, ενδέχεται να διαφύγει ακτινοβολία από το προϊόν. Εάν η πόρτα, τα στεγανοποιητικά της πόρτας ή το σύστημα κλειδώματος είναι κατεστραμμένα, σταματήστε να χρησιμοποιείτε το προϊόν και ζητήστε την επισκευή του από αρμόδιο τεχνικό.

Κίνδυνος τοξικών αναθυμιάσεων ή πυρκαγιάς. Τα υπολείμματα καθαρισμού μπορούν να απελευθερώσουν επιβλαβείς αναθυμιάσεις ή να προκαλέσουν σπινθήρες. Σκουπίστε πάντα όλα τα προϊόντα καθαρισμού μετά τον καθαρισμό.

⚠ ΠΡΟΣΟΧΗ

Κίνδυνος εγκαυμάτων. Το προϊόν, καθώς και τα τρόφιμα και τα αντικείμενα που χρησιμοποιούνται, ενδέχεται να ζεσταθούν κατά τη χρήση.

- Μην αγγίζετε την επιφάνεια αυτού του προϊόντος κατά τη χρήση.

- Τα υγρά και άλλα τρόφιμα δεν πρέπει να θερμαίνονται σε σφραγιασμένα δοχεία, καθώς ενδέχεται να εκραγούν.
- Πάντα ανακατεύετε ή ανακινείτε το περιεχόμενο των μπιμπερό και των βαζών με παιδικές τροφές και ελέγχετε τη θερμοκρασία πριν από την κατανάλωση, προκειμένου να αποφύγετε εγκαύματα.
- Τα αυγά με το κέλυφος τους και τα ολόκληρα σφιχτά βρασμένα αυγά δεν πρέπει να θερμαίνονται σε φούρνους μικροκυμάτων, καθώς ενδέχεται να εκραγούν, ακόμη και μετά το τέλος της θέρμανσης.
- Η θέρμανση ελαίων ή λιπών στο προϊόν διαρκεί πολύ χρόνο και το δοχείο θα ζεσταθεί υπερβολικά. Μην χρησιμοποιείτε ποτέ το προϊόν για τη θέρμανση ελαίων και λιπών.

ΕΙΔΟΠΟΙΗΣΗ

Κίνδυνος ζημιάς στην πόρτα. Η πόρτα διαθέτει μηχανισμό ασφαλείας που την κρατά κλειστή όταν το προϊόν είναι σε λειτουργία. Μην ασκείτε ποτέ υπερβολική δύναμη κατά το άνοιγμα της πόρτας. Περιμένετε πάντα να ξεκλειδωθεί η πόρτα.

Κίνδυνος ζημιάς λόγω έκθεσης σε νερό. Η υγρασία μπορεί να προκαλέσει ζημιά στα εσωτερικά ηλεκτρικά μέρη.

- Μην εκθέτετε το προϊόν σε νερό, βροχή, υγρασία ή υψηλή υγρασία.
- Μην καθαρίζετε το προϊόν με ατμοκαθαριστή.

Κίνδυνος ζημιάς. Το προϊόν δεν προστατεύεται από ισχυρές κρούσεις. Μην αφήνετε το προϊόν να πέσει και αποφύγετε τις προσκρούσεις.

Κίνδυνος φθοράς της επιφάνειας. Τακαθαριστικά μέσα μπορούν να φθείρουν το φινιρίσμα. Μην χρησιμοποιείτε ισχυρά χημικά καθαριστικά μέσα για τον καθαρισμό του προϊόντος.

Κίνδυνος ανθυγιεινού προϊόντος. Η χρήση του προϊόντος χωρίς τον γυάλινο δίσκο και ένα κατάλληλο δοχείο μπορεί να προκαλέσει συσσώρευση ακαθαρσιών και ακόμη και ανάπτυξη βακτηρίων. Χρησιμοποιείτε πάντα το προϊόν με τον δίσκο εγκατεστημένο. Ζεσταίνετε πάντα τα τρόφιμα σε πιάτο ή δοχείο κατάλληλο για φούρνο μικροκυμάτων.

Επεξήγηση των συμβόλων στο προϊόν ή τη συσκευασία



Ενδειξη για ζεστή επιφάνεια. Η επαφή μπορεί να προκαλέσει εγκαύματα. Μην αγγίζετε.

Ελέγξτε το περιεχόμενο της συσκευασίας

Ελέγξτε ότι όλα τα εξαρτήματα είναι παρόντα και ότι δεν υπάρχουν ορατές ζημιές στα εξαρτήματα. Εάν λείπουν ή έχουν υποστεί ζημιά εξαρτήματα, επικοινωνήστε με το τμήμα εξυπηρέτησης πελατών μέσω: support.melissa-online.com

Εγκατάσταση του προϊόντος

1. Αφαιρέστε όλες τις συσκευασίες από το εσωτερικό και το εξωτερικό του προϊόντος πριν από τη χρήση.
2. Τοποθετήστε το προϊόν σε όρθια θέση πάνω σε μια

επίπεδη και σταθερή επιφάνεια, ικανή να αντέξει το βάρος του προϊόντος (περίπου 12,5 kg).

1. Πρέπει να υπάρχει ελεύθερος χώρος τουλάχιστον 10 cm στο πίσω μέρος, 5 cm στα πλάγια και 20 cm στο πάνω μέρος, ώστε να εξασφαλίζεται επαρκής αερισμός και να αποφεύγεται η υπερθέρμανση. Όταν εγκαθίσταται σε ντουλάπι, κρατήστε την πόρτα του ντουλαπιού ανοιχτή κατά τη χρήση.
3. Ελέγξτε αν ο γυάλινος δίσκος περιστροφής **A3** είναι σωστά τοποθετημένος στον δακτύλιο του δίσκου **A4** και στον άξονα **A5**. Η αυλάκωση στο κάτω μέρος του γυάλινου δίσκου πρέπει να ευθυγραμμιστεί με τους τρεις τροχούς.
4. Συνδέστε το καλώδιο τροφοδοσίας **A6** σε μια πρίζα. Η οθόνη **A7** αναβοσβήνει τρεις φορές.

Ρύθμιση ώρας

1. Πατήστε και κρατήστε πατημένο το κουμπί Preset **A12** για 3 δευτερόλεπτα. Οι ψηφίοι της ώρας αναβοσβήνουν.
2. Γυρίστε τον επιλογέα **A8** για να ρυθμίσετε τις ώρες.
3. Πατήστε το κουμπί Preset. Τα ψηφία των λεπτών αναβοσβήνουν.
4. Γυρίστε τον επιλογέα για να ρυθμίσετε τα λεπτά.
5. Πατήστε το κουμπί Preset για να ολοκληρώσετε τη ρύθμιση της ώρας.

Χρήση το προϊόντος

Συνιστούμε να χρησιμοποιείτε γυάλινα, κεραμικά ή πλαστικά δοχεία και σκεύη κατάλληλα για φούρνο μικροκυμάτων.

Μην χρησιμοποιείτε ποτέ τα ακόλουθα σκεύη στο προϊόν:

- Σφραγισμένα γυάλινα βάζα και μπουκάλια
- Γυάλινα μπουκάλια με μικρά ανοίγματα
- Κλειστά δοχεία και περιέκτες
- Θερμόμετρα γενικής χρήσης
- Ασημένιο φύλλο
- Ανακυκλωμένο χαρτί
- Πιάτα με χρυσές ή ασημένιες διακοσμήσεις
- Δοχεία που περιέχουν οποιοδήποτε μέταλλο

1. Αν θέλετε να δοκιμάσετε το φούρνο μικροκυμάτων χωρίς φαγητό, χρησιμοποιήστε ένα ποτήρι νερό.

Γρήγορη λειτουργία

1. Κατά τη διάρκεια της διαδικασίας, πατήστε το κουμπί παύσης για να διακόψετε προσωρινά τη διαδικασία. Πατήστε δύο φορές το κουμπί παύσης για να ακυρώσετε τη διαδικασία.

1. Τοποθετήστε το φαγητό στο κέντρο του περιστρεφόμενου δίσκου.
2. Κλείσε την πόρτα.
3. Πατήστε το κουμπί άμεσης εκκίνησης **A11**. Η διαδικασία ξεκινά αμέσως με πλήρη ισχύ για 1 λεπτό.
4. Προαιρετικά, πατήστε επανειλημμένα το κουμπί άμεσης λειτουργίας για να ρυθμίσετε το χρονόμετρο.
5. Όταν η διαδικασία ολοκληρωθεί, το προϊόν εκπέμπει 3 ηχητικά σήματα και στην οθόνη εμφανίζεται η **ένδειξη END**.

Χειροκίνητη λειτουργία

1. Τοποθετήστε το φαγητό στο κέντρο του περιστρεφόμενου δίσκου.
2. Κλείστε την πόρτα.
3. Πατήστε το κουμπί Micro/Power **A** επανειλημμένα για να επιλέξετε την επιθυμητή ισχύ μικροκυμάτων. Η οθόνη εμφανίζει την ισχύ μικροκυμάτων σε ποσοστά. Ο παρακάτω πίνακας δείχνει τις αντίστοιχες ισχύεις σε Watt.

i Εκτός από τη λειτουργία μικροκυμάτων, διατίθενται επίσης τα προγράμματα _G, C1 και C2. Για περισσότερες πληροφορίες, ανατρέξτε στα κεφάλαια Χρήση της λειτουργίας γκριλ και Χρήση των συνδυαστικών προγραμμάτων.

100	800 W
80	640 W
60	480 W
40	320 W
20	160 W

- i** Τα επίπεδα ισχύους του φούρνου μικροκυμάτων εμφανίζονται ως ποσοστά της μέγιστης ισχύος εξόδου. Οι αντίστοιχες τιμές ισχύος σε Watt είναι ενδεικτικές και δεν είναι σταθερές.
4. Γυρίστε τον επιλογέα για να επιλέξετε τον επιθυμητό χρόνο μαγειρέματος.
- i** Εάν επιθυμείτε, επαναλάβετε τα βήματα 3 και 4 για να προγραμματίσετε πολλαπλά στάδια. Μπορούν να προγραμματιστούν έως και 4 στάδια. Κατά τη διάρκεια της διαδικασίας, όταν ο χρονοδιακόπτης ενός σταδίου τελειώσει, το προϊόν συνεχίζει αυτόματα στο επόμενο στάδιο.
5. Πατήστε το κουμπί «άμεση εκκίνηση» για να ξεκινήσει η διαδικασία. Η οθόνη εμφανίζει τον υπολειπόμενο χρόνο.
- i** Για να εμφανίσετε την ισχύ του φούρνου μικροκυμάτων κατά τη διάρκεια της διαδικασίας, πατήστε το κουμπί Micro/Power.
6. Όταν η διαδικασία ολοκληρωθεί, το προϊόν εκπέμπει 3 ηχητικά σήματα και στην οθόνη εμφανίζεται η **ένδειξη END**.

Χρήση της λειτουργίας ψησίματος

- i** Χρησιμοποιήστε τη λειτουργία ψησίματος για να ψησετε κρέατα ή να φτιάξετε τoστ και γκρατέν.
1. Τοποθετήστε τη σχάρα ψησίματος πάνω από τον γυάλινο περιστρεφόμενο δίσκο.
2. Τοποθετήστε τα τρόφιμα στο κέντρο της σχάρας.
3. Κλείστε την πόρτα.
4. Πατήστε επανειλημμένα το κουμπί Micro/Power μέχρι να εμφανιστεί στην οθόνη το **_G**.
5. Γυρίστε τον επιλογέα για να επιλέξετε τον επιθυμητό χρόνο μαγειρέματος.
6. Πατήστε το κουμπί «άμεση εκκίνηση» για να ξεκινήσει η διαδικασία. Η οθόνη εμφανίζει τον υπολειπόμενο χρόνο.

Χρήση των συνδυαστικών προγραμμάτων

- i** Τα συνδυαστικά προγράμματα χρησιμοποιούν ταυτόχρονα τη λειτουργία μικροκυμάτων και τη λειτουργία γκριλ.
1. Τοποθετήστε το φαγητό στο κέντρο του περιστρεφόμενου δίσκου.
2. Κλείστε την πόρτα.
3. Πατήστε επανειλημμένα το κουμπί Micro/Power μέχρι να εμφανιστεί στην οθόνη το **C1** ή **C2**.

Εμφάνιση	Λειτουργία	Πιάτα
C1	30% φούρνος μικροκυμάτων, 70% γκριλ	Ψάρια, πατάτες ή γκρατέν
C2	55% φούρνος μικροκυμάτων, 45% γκριλ	Ομελέτες, ψητές πατάτες ή πουλερικά

Απόψυξη

- i** Χρησιμοποιήστε αυτή τη λειτουργία για να ξεπαγώσετε κρέας και θαλασσινά.
1. Ζυγίστε την ποσότητα του φαγητού και σημειώστε το βάρος.
2. Τοποθετήστε το φαγητό στο κέντρο του περιστρεφόμενου δίσκου.
3. Κλείστε την πόρτα.
4. Πατήστε το κουμπί προεπιλογής για να επιλέξετε τη σωστή ρύθμιση απόψυξης που εμφανίζεται στον παρακάτω πίνακα.

Κωδικός	Τύπος τροφίμων	Παύση
D1	Κρέας	0,1 - 2 kg
D2	Πουλερικά	0,2 - 3 kg
D3	Θαλασσινά	0,1 - 0,9 kg

5. Γυρίστε τον επιλογέα για να ρυθμίσετε το βάρος των τροφίμων σε κιλά. Για παράδειγμα, για να ξεπαγώσετε 600 γραμμάρια τροφίμων, ρυθμίστε τον επιλογέα στο **«0,6»**.
6. Πατήστε το κουμπί "άμεση εκκίνηση" για να ξεκινήσει η διαδικασία.
- Όταν το προϊόν εκπέμπει ηχητικό σήμα κατά τη διάρκεια της διαδικασίας:
7. Ανοίξτε την πόρτα. Η διαδικασία διακόπτεται.
8. Αναποδογυρίστε το φαγητό ή, σε περίπτωση που πρόκειται για μικρά κομμάτια, ανακινήστε ή ανακατέψτε τα.
9. Κλείστε την πόρτα.
10. Πατήστε το κουμπί "Άμεση" για να συνεχίσετε τη διαδικασία.
11. Όταν η διαδικασία ολοκληρωθεί, το προϊόν εκπέμπει 3 ηχητικά σήματα και στην οθόνη εμφανίζεται η **ένδειξη END**.

Χρήση προεπιλογών

1. Ζυγίστε την ποσότητα του φαγητού και σημειώστε το βάρος.
2. Τοποθετήστε το φαγητό στο κέντρο του περιστρεφόμενου δίσκου.
3. Κλείσε την πόρτα.
4. Γυρίστε τον επιλογέα ένα βήμα αριστερόστροφα για να μπει στη λειτουργία προεπιλογής.
5. Γυρίστε τον επιλογέα για να επιλέξετε τον αριθμό που αντιστοιχεί στην επιθυμητή προεπιλογή. Δείτε τον παρακάτω πίνακα για όλες τις προεπιλογές.
6. Πατήστε τον επιλογέα για να επιλέξετε μια προεπιλογή.
7. Γυρίστε τον επιλογέα για να ρυθμίσετε το βάρος των τροφίμων σε κιλά. Για παράδειγμα, για να ξεπαγώσετε 600 γραμμάρια τροφίμων, ρυθμίστε τον επιλογέα στο «0,6».
8. Πατήστε το κουμπί "άμεση εκκίνηση" για να ξεκινήσει η διαδικασία.
9. Όταν η διαδικασία ολοκληρωθεί, το προϊόν εκπέμπει 3 ηχητικά σήματα και στην οθόνη εμφανίζεται η ένδειξη **END**.

Κωδικός	Τύπος τροφίμων	Ρυθμίσεις
A1	Ποπ κορν	85 - 100 gr
A2	Πατάτες	0,45 - 0,65 kg
A3	Λαχανικά	0,1 - 0,5 kg
A4	Κρέας*	0,2 - 0,7 kg
A5	Ψάρι*	0,2 - 0,7 kg
A6	Πουλερικά*	0,2 - 0,7 kg
A7	Λαζάνια	0,2 - 1 kg
A8	Γάλα/καφές	0,25 - 0,5 kg
A9	Ρύζι	0,1 - 0,5 kg
A10	Σπαγγέτι**	0,1 - 0,5 kg
A11	Ψωμί	0,1 - 0,5 kg
A12	Πίτσα	1 - 2 είδη

* πρέπει να αναποδογυρίζεται ή να ανακατεύεται όταν το προϊόν εκπέμπει ηχητικό σήμα

** πρέπει να προσθέσετε βραστό νερό πριν το μαγείρεμα

Ρύθμιση του χρονοδιακόπτη καθυστέρησης


i Ο χρονοδιακόπτης καθυστέρησης δεν μπορεί να χρησιμοποιηθεί με τις διαδικασίες express και programmed.

Ρυθμίστε το επιθυμητό πρόγραμμα. Πριν ξεκινήσετε τη διαδικασία:

1. Πατήστε και κρατήστε πατημένο το κουμπί Preset για 3 δευτερόλεπτα. Οι ψηφίοι της ώρας αναβοσβήνουν.
- i** (Στη λειτουργία χρονοδιακόπτη καθυστέρησης, ρυθμίζετε την ώρα κατά την οποία θα ξεκινήσει η διαδικασία μαγειρέματος. Το ρολόι πρέπει να είναι ρυθμισμένο σωστά για να λειτουργήσει ο χρονοδιακόπτης (βλ. κεφάλαιο Ρύθμιση της ώρας).
2. Γυρίστε τον επιλογέα για να ρυθμίσετε την ώρα.
3. Πατήστε το κουμπί Preset. Τα ψηφία των λεπτών αρχίζουν να αναβοσβήνουν.

4. Γυρίστε τον επιλογέα για να ρυθμίσετε τα λεπτά.
5. Πατήστε το κουμπί Preset για να ολοκληρώσετε τη ρύθμιση του χρονοδιακόπτη καθυστέρησης. Ακούγεται ένας ήχος και η οθόνη αναβοσβήνει.
- i** Η διαδικασία ξεκινά όταν φτάσει η καθορισμένη ώρα.
6. Για να ελέγξετε την ώρα που έχετε ρυθμίσει, πατήστε το κουμπί προρύθμισης.
7. Για να ακυρώσετε το χρονόμετρο, πατήστε το κουμπί παύσης.

Ενεργοποίηση του κλειδώματος για παιδιά

1. Πατήστε και κρατήστε πατημένο το κουμπί παύσης **A**  για 3 δευτερόλεπτα. Ακούγεται ένας ήχος, στην οθόνη εμφανίζεται η ένδειξη **OFF** και ένα σύμβολο κλειδώματος.
2. Για να απενεργοποιήσετε το κλειδίωμα για παιδιά, πατήστε και κρατήστε πατημένο το κουμπί παύσης για 3 δευτερόλεπτα.

Εγγύηση

Το προϊόν αυτό προορίζεται για οικιακή χρήση.

Οποιαδήποτε αλλαγή ή/και τροποποίηση του προϊόντος θα καταστήσει άκυρη την εγγύηση. Δεν μπορούμε να αναλάβουμε καμία ευθύνη για ζημιές που προκαλούνται από ακατάλληλη χρήση του προϊόντος. Η κανονική φθορά εξαιρείται από την εγγύηση.

Αποποίηση ευθύνης

Λόγω της συνεχούς εξέλιξης των προϊόντων μας όσον αφορά τη λειτουργία και το σχεδιασμό, διατηρούμε το δικαίωμα να κάνουμε αλλαγές στο προϊόν χωρίς προειδοποίηση. Όλα τα λογότυπα, τα εμπορικά σήματα και οι ονομασίες των προϊόντων είναι εμπορικά σήματα ή σήματα κατατεθέντα των αντίστοιχων κατόχων τους και αναγνωρίζονται ως τέτοια.

Απορριψη



Το προϊόν αυτό προορίζεται για χωριστή συλλογή σε κατάλληλο σημείο συλλογής. Μην απορρίπτετε το προϊόν μαζί με τα οικιακά απορρίμματα. Για περισσότερες πληροφορίες, επικοινωνήστε με το κατάστημα λιανικής πώλησής ή με την τοπική αρχή που είναι υπεύθυνη για τη διαχείριση των αποβλήτων.

Δήλωση συμμόρφωσης ΕΕ

Δηλώνουμε ότι το προϊόν αυτό συμμορφώνεται με την ισχύουσα νομοθεσία της ΕΕ. Η Δήλωση συμμόρφωσης ΕΕ είναι διαθέσιμη στην ιστοσελίδα μας ή μπορεί να ληφθεί κατόπιν αιτήματος.

Kombinovaná mikrovlnná rúra

16330128 16330130
16330129 16330131



Ak chcete získať viac informácií, naskenujte QR kód na titulnej strane a pozrite si rozšírenú príručku.

Informácie o tomto dokumente

Ďakujeme za zakúpenie produktu Melissa Kombinovaná mikrovlnná rúra.

Tento dokument je návod na obsluhu a obsahuje všetky informácie na správne, efektívne a bezpečné používanie výrobku.

Pred inštaláciou alebo použitím výrobku si nezabudnite prečítať a pochopiť všetky pokyny v tomto dokumente. Uchovajte obal a tento dokument pre potreby v budúcnosti.

Použité symboly

⚠ VAROVANIE	Signálne slovo používané na uvedenie potenciálne nebezpečnej situácie, ktorá, ak sa jej nevyhnete, by mohla viesť k usmrteniu alebo vážnemu zraneniu.
⚠ UPOZORNENIE	Signálne slovo používané na uvedenie potenciálne nebezpečnej situácie, ktorá, ak sa jej nevyhnete, by mohla viesť k menej závažnému alebo miernemu zraneniu.
📌 OZNÁMENIE	Signálne slovo používané na určenie postupov, ktoré nesúvisia s fyzickým zranením.

Určené použitie

Tento produkt je voľne stojaca mikrovlnná rúra.

Produkt je určený na ohrev potravín a nápojov. Sušenie potravín alebo odevov a ohrev vyhrievacích podložiek, papúč, špongií, vlhkých utierok a podobných predmetov môže viesť k riziku poranenia, vznietenia alebo požiaru.

Tento výrobok je určený len na použitie vo vnútornom prostredí.

Tento výrobok môžu používať deti od 8 rokov a staršie osoby so zníženými fyzickými, zmyslovými alebo mentálnymi schopnosťami alebo s nedostatkom skúseností a znalostí, ak boli pod dohľadom alebo boli poučené o používaní výrobku bezpečným spôsobom a rozumejú príslušným nebezpečenstvám. Deti sa s výrobkom nesmú hrať. Čistenie a užívateľskú údržbu nesmú vykonávať deti bez dozoru.

Nedovoľte osobám so zníženými fyzickými, zmyslovými alebo duševnými schopnosťami alebo nedostatkom skúseností a znalostí o spôsobe obsluhy zariadenia, aby používali tento výrobok.

Tento výrobok je určený na použitie v domácnosti a podobných aplikáciách, ako sú:

- kuchynské priestory pre zamestnancov v obchodoch, kanceláriách a iných pracovných prostrediach;

- poľnohospodárske domy;
- klientmi v hoteloch, motelloch a iných rezidenčných zariadeniach;
- ubytovanie typu bed and breakfast.

Výrobok nie je určený na profesionálne použitie.

Každá zmena výrobku môže mať následky na bezpečnosť, záruku a správne fungovanie.

Hlavné časti (obrázok A)

- | | |
|--------------------------|----------------------------------|
| 1 Dvere | 8 Otočný ovládač |
| 2 Grilovací rošt | 9 Tlačidlo Micro/Power |
| 3 Sklenený otočný tanier | 10 Tlačidlo pauza |
| 4 Otočný krúžok | 11 Tlačidlo okamžitého spustenia |
| 5 Vreteno | 12 Tlačidlo Preset (Predvoľba) |
| 6 Napájaci kábel | |
| 7 Zobrazenie | |

Bezpečnostné pokyny

Pred inštaláciou alebo použitím výrobku si nezabudnite prečítať a pochopiť všetky pokyny v tomto dokumente. Uchovajte obal a tento dokument pre potreby v budúcnosti. Výrobok používajte len tak, ako je opísané v tomto dokumente.

⚠ VAROVANIE

Nebezpečenstvo úrazu elektrickým prúdom. Otvorením výrobku môžu byť odkryté časti pod napätím.

- Produkt nerozoberajte; vo vnútri sa nenachádzajú žiadne časti, ktoré by mohol opravovať používateľ.
- Údržbu tohto výrobku môže vykonávať len kvalifikovaný technik.
- Pred servisom a pri výmene dielcov odpojte výrobok od zdroja napájania.

Nebezpečenstvo úrazu elektrickým prúdom. Kontakt s vodou môže vystaviť používateľa nebezpečenstvu úrazu elektrickým prúdom.

- Výrobok neponárajte do vody ani do iných kvapalín.
- Výrobok pred čistením odpojte od zdroja napájania.
- Produkt nevkladajte do umývačky riadu.

Nebezpečenstvo úrazu elektrickým prúdom. Ak je napájaci kábel poškodený, môže dôjsť k odhaleniu elektrického obvodu.

- Používajte len dodaný napájaci kábel.
- Uistite sa, že je kábel úplne vysunutý.
- Kábel nesmie byť skrútený ani omotaný okolo výrobku.
- Výrobok neodpájajte zo zásuvky ťahaním kábla. Vždy chyťte zástrčku a vytiahnite ju.
- Dbajte na to, aby napájaci kábel neprevišal cez okraj stola alebo pultu a aby sa nedotýkal horúcich povrchov.
- Vždy uchovávajte napájaci kábel a výrobok mimo bežných chodníkov.

Nebezpečenstvo vzniku iskier alebo požiaru. Niektoré materiály môžu pri vystavení mikrovlnnému žiareniu spôsobiť požiar.

- Grilovací rošt nepoužívajte v mikrovlnnej rúre ani v kombinovaných režimoch varenia. Grilovací rošt musí byť umiestnený na sklenenom otočnom tanieri a

používať sa môže iba na grilovanie.

- Používajte iba riad, ktorý je vhodný na použitie v mikrovlnných rúrach.
- Kovové nádoby na potraviny a nápoje nie sú povolené pri varení v mikrovlnnej rúre.
- Používajte iba teplotnú sondu odporúčanú pre túto rúru (pre spotrebiče, ktoré majú možnosť používať teplotnú sondu).
- Pri ohreve potravín v plastových alebo papierových nádobách sledujte rúru, pretože existuje nebezpečenstvo vznietenia.

Nebezpečenstvo požiaru v dôsledku skratu. Poškodené komponenty sa môžu prehriať a vznietiť.

- Nepoužívajte výrobok, ak je akákoľvek jeho časť poškodená alebo vadná; okamžite ho vymeňte.
- Ak dôjde k poškodeniu napájacieho kábla, musí sa vymeniť za špeciálny kábel alebo zostavu dostupné od výrobcu alebo servisného zástupcu.

Nebezpečenstvo požiaru v dôsledku prehriatia. Ak produkt nemôže odovzdať teplo, môže sa prehriať a vznietiť.

- Nezakrývajte ventilačné otvory.
- Neodstraňujte nožičky z výrobku.
- Vždy zabezpečte dostatočný priestor okolo výrobku.
- Ak je produkt umiestnený v skrini, používajte ho len pri otvorených dverkách skrinky.

Nebezpečenstvo požiaru v dôsledku prehriatia. Ak sa výrobok používa bez obsahu, absorbuje žiarenie sám. Nikdy nespúšťajte výrobok, ak je prázdny.

Nebezpečenstvo poranenia. Vý výrobok nie je určený na používanie deťmi mladšími ako 8 rokov.

- Počas používania zariadenia ho neustále sledujte.
- Pri používaní spotrebiča dohľadnite na deti v jeho blízkosti.
- Nikdy nedovoľte deťom ani domácim zvieratám hrať sa s výrobkom.

Nebezpečenstvo vážnych zranení a popálenín. Horúce povrchy a prevádzka bez dozoru môžu spôsobiť popáleniny alebo zranenia.

- Keď produkt nepoužívate, odpojte ho od zdroja napájania.
- Nikdy nenechávajte výrobok bez dozoru, ak sú v blízkosti deti a zraniteľné osoby.
- Tento produkt nepoužívajte s externým časovačom ani samostatným diaľkovým ovládaním.

Nebezpečenstvo udusenía. Nedovoľte deťom hrať sa s obalovým materiálom. Obalový materiál vždy uchovávajte mimo dosahu detí.

Riziko vystavenia mikrovlnnému žiareniu. Poškodenie výrobku môže spôsobiť únik mikrovlnného žiarenia:

- Prekonávanie akýchkoľvek servisných alebo opravárenských prác, ktoré zahŕňajú odstránenie krytu chrániaceho pred vystavením mikrovlnnej energie, je nebezpečné pre kohokoľvek iného ako pre kompetentnú osobu.
- Ak sú dverka poškodené, môže z výrobku unikať žiarenie. Ak sú dverka, tesnenia dveriek alebo uzamykací systém poškodené, prestaňte výrobok

používať a nechajte ho opraviť kvalifikovanou osobou.

Nebezpečenstvo toxických výparov alebo požiaru.

Zvyšky čistiacich prostriedkov môžu uvoľňovať škodlivé výpary alebo spôsobiť iskrenie. Po čistení vždy utrite všetky čistiace prostriedky.

⚠ UPOZORNENIE

Nebezpečenstvo popálenia. Produkt, použité potraviny a predmety sa môžu počas používania zahrievať.

- Počas používania sa nedotýkajte povrchu tohto výrobku.
- Tekutiny a iné potraviny sa nesmú ohrievať v uzavretých nádobách, pretože môžu explodovať.
- Pred konzumáciou vždy premiešajte alebo pretrepte obsah fľašiek na kŕmenie a pohárikov s detskou výživou a skontrolujte ich teplotu, aby ste predišli popáleninám.
- Vajcia v škrupine a celé natvrdo uvarené vajcia by sa nemali ohrievať v mikrovlnnej rúre, pretože môžu explodovať aj po ukončení ohrievania v mikrovlnnej rúre.
- Zahrievanie olejov alebo tukov v produkte trvá dlho a nádoba sa veľmi zahreje. Nikdy nepoužívajte produkt na zahrievanie olejov a tukov.

OSŤNĀMENIE

Riziko poškodenia dveriek. Dverka sú vybavené bezpečnostným mechanizmom, ktorý ich udržiava zatvorené, keď je výrobok v prevádzke. Pri otváraní dveriek nikdy nepoužívajte nadmernú silu. Vždy počkajte, kým sa dverka odomknú.

Riziko poškodenia v dôsledku vystavenia vode. Vlhkosť môže poškodiť vnútorné elektrické časti.

- Výrobok nevystavujte vode, dažďu alebo vysokej vlhkosti.

- Produkt nečistite parným čističom.

Riziko poškodenia. Produkt nie je chránený proti silným nárazom. Produkt neupúšťajte a vyvarujte sa nárazom.

Riziko poškodenia povrchu. Čistiace prostriedky môžu poškodiť povrchovú úpravu. Pri čistení výrobku nepoužívajte agresívne chemické čistiace prostriedky.

Riziko nehygienického výrobku. Používanie výrobku bez skleneného otočného taniera a vhodnej nádoby môže spôsobiť hromadenie nečistôt a dokonca aj rast baktérií. Výrobok vždy používajte s nainštalovaným otočným tanierom. Potraviny vždy ohrievajte na tanieri alebo v nádobe vhodnej do mikrovlnnej rúry.

Vysvetlenie symbolov na výrobku alebo obale



Opis

Symbol pre horúci povrch. Kontakt môže spôsobiť popálenie. Nedotýkajte sa ho.

Skontrolujte obsah balenia

Skontrolujte, či sú prítomné všetky časti a či nie sú viditeľné žiadne poškodenia. Ak chýbajú alebo sú poškodené niektoré časti, kontaktujte servisné stredisko prostredníctvom: support.melissa-online.com

Inštalácia výrobku

1. Pred použitím odstráňte všetky obaly z vnútornej a vonkajšej strany výrobku.
2. Produkt umiestnite vo zvislej polohe na rovný a stabilný povrch, ktorý unesie hmotnosť produktu (cca 12,5 kg).
- i** Na zadnej strane musí byť voľný priestor minimálne 10 cm, po bokoch 5 cm a hore 20 cm, aby bolo zabezpečené dostatočné vetranie a nedošlo k prehriatiu. Pri inštalácii do skrine nechajte počas používania dvere skrine otvorené.
3. Skontrolujte, či je sklenený otočný tanier **A5** správne usadený na prstenci otočného taniera **A4** a vretena **A6**. Drážka na spodnej strane skleneného otočného taniera musí byť zarovnaná s tromi kolieskami.
4. Zapojte napájací kábel **A6** do elektrickej zásuvky. Displej **A7** trikrát.

Nastavenie času

1. Stlačte a podržte tlačidlo Preset **A12** po dobu 3 sekúnd. Číslice hodín začnú blikať.
2. Otočte ovládačom **A9** a nastavte hodiny.
3. Stlačte tlačidlo Preset. Číslice minút blikajú.
4. Otočením číselníka nastavte minúty.
5. Stlačte tlačidlo Preset (Prednastavenie) na dokončenie nastavenia času.

Používanie výrobku

Odporúčame používať sklenené, kameninové alebo mikrovlnné plastové nádoby a riady. Nikdy nepoužívajte nasledujúce riady v produkte:

- Uzavreté sklenené nádoby a fľaše
- Sklenené fľaše s malými otvormi
- Uzatvorené plechovky a nádoby
- Všeobecné teplomery
- Strieborná fólia
- Recyklovaný papier
- Taniere so zlatými alebo striebornými dekoráciami
- Kontajnery obsahujúce akýkoľvek kov

- i** Ak chcete mikrovlnnú rúru vyskúšať bez potravín, použite pohár vody.

Rýchla obsluha

- i** Počas procesu stlačte tlačidlo pauza, aby ste proces pozastavili. Dvojším stlačením tlačidla pauza proces zrušíte.

1. Potraviny umiestnite do stredu otočného taniera.
2. Zatvor dvere.
3. Stlačte tlačidlo okamžitého spustenia **A11**. Proces sa okamžite spustí na plný výkon na 1 minútu.
4. Prípadne opakovaným stlačením tlačidla Instant nastavte časovač.
5. Po dokončení procesu produkt vydá 3 pípnutia a na displeji sa zobrazí **nápis END**.

Ručné ovládanie

1. Potraviny umiestnite do stredu otočného taniera.
2. Zatvor dvere.

3. Stlačte tlačidlo Micro/Power **A9**, aby ste vybrali požadovaný výkon mikrovlnnej rúry. Na displeji sa zobrazí výkon mikrovlnnej rúry v percentách. V tabuľke nižšie sú uvedené zodpovedajúce výkony v wattoch.
- i** Okrem mikrovlnnej energie sú k dispozícii aj programy _G, C1 a C2. Ďalšie informácie nájdete v kapitolách Používanie funkcie grilu a Používanie kombinovaných programov.

100	800 W
80	640 W
60	480 W
40	320 W
20	160 W

- i** Úrovně výkonu mikrovlnnej rúry sú zobrazené ako percentá maximálneho výkonu. Príslušné hodnoty výkonu sú orientačné a nie sú pevne stanovené.
4. Otočením otočného gombíka vyberte požadovaný čas varenia.
 - i** Ak je to potrebné, opakujte kroky 3 a 4, aby ste naprogramovali viacero fáz. Je možné naprogramovať až 4 fázy. Počas procesu, keď sa časovač jednej fázy skončí, produkt automaticky pokračuje v ďalšej fáze.
 5. Stlačte tlačidlo „instant“ (okamžité) na spustenie procesu. Na displeji sa zobrazí zostávajúci čas.
 - i** Ak chcete zobraziť výkon mikrovlnnej rúry počas procesu, stlačte tlačidlo Micro/Power.
 6. Po dokončení procesu produkt vydá 3 pípnutia a na displeji sa zobrazí **nápis END**.

Používanie funkcie grilovania

- i** Funkciu grilu použijete na grilovanie mäsa alebo na prípravu toastov a gratinovaných jedál.
1. Grilovací rošt umiestnite na sklenený otočný tanier.
 2. Potraviny umiestnite do stredu roštu grilu.
 3. Zatvor dvere.
 4. Opakovaným stlačením tlačidla Micro/Power vyberajte, kým sa na displeji nezobrazí **_G**.
 5. Otočením otočného gombíka vyberte požadovaný čas varenia.
 6. Stlačte tlačidlo „instant“ (okamžité) na spustenie procesu. Na displeji sa zobrazí zostávajúci čas.

Používanie kombinovaných programov

- i** Kombinované programy využívajú súčasne funkciu mikrovlnnej rúry a grilu.
1. Potraviny umiestnite do stredu otočného taniera.
 2. Zatvor dvere.
 3. Opakovaným stlačením tlačidla Micro/Power vyberajte, kým sa na displeji nezobrazí **C1** alebo **C2**.

Zobrazenie	Funkcia	Jedlá
C1	30 % mikrovlnná rúra, 70 % gril	Ryby, zemiaky alebo gratinované jedlá
C2	55 % mikrovlnná rúra, 45 % gril	Omelety, pečené zemiaky alebo hydina

Rozmrazovanie

i Túto funkciu použite na rozmrazovanie mäsa a morských plodov.

1. Zvážte množstvo potravín a zapamätajte si ich hmotnosť.
2. Potraviny umiestnite do stredu otočného taniera.
3. Zatvor dvere.
4. Stlačte tlačidlo predvolby a vyberte správne nastavenie odmravovania uvedené v tabuľke nižšie.

Kód	Druh potravín	Interval
D1	Mäso	0,1 - 2 kg
D2	Hydina	0,2 - 3 kg
D3	Morské plody	0,1 - 0,9 kg

5. Otočením otočného gombíka nastavte hmotnosť potravín v kg. Ak napríklad chcete rozmraziť 600 gramov potravín, nastavte otočný gombík na „0,6“.
 6. Stlačte tlačidlo „instant“ (okamžité) na spustenie procesu.
- Keď produkt počas procesu vydáva pípanie:
7. Otvorte dvere. Proces sa pozastaví.
 8. Potraviny otočte hore nohami alebo v prípade menších kúskov potravín ich potraсте alebo premiešajte.
 9. Zatvor dvere.
 10. Stlačte tlačidlo „Okamžité“ pre pokračovanie v procese.
 11. Po dokončení procesu produkt vydá 3 pípnutia a na displeji sa zobrazí **nápis END**.

Používanie predvolieb

1. Zvážte množstvo potravín a zapamätajte si ich hmotnosť.
2. Potraviny umiestnite do stredu otočného taniera.
3. Zatvor dvere.
4. Otočte ovládačom o jeden krok proti smeru hodinových ručičiek, aby ste vstúpili do režimu predvolieb.
5. Otočením otočného gombíka vyberte číslo zodpovedajúce požadovanému predvolenému nastaveniu. Všetky predvolené nastavenia nájdete v tabuľke nižšie.
6. Stlačte otočný volič a vyberte predvolbu.
7. Otočením otočného gombíka nastavte hmotnosť potravín v kg. Ak napríklad chcete rozmraziť 600 gramov potravín, nastavte otočný gombík na „0,6“.
8. Stlačte tlačidlo „instant“ (okamžité) na spustenie procesu.
9. Po dokončení procesu produkt vydá 3 pípnutia a na displeji sa zobrazí **nápis END**.

Kód	Druh potravín	Nastavenia
A1	Popcorn	85 - 100 gr
A2	Zemiaky	0,45 - 0,65 kg
A3	Zelenina	0,1 - 0,5 kg
A4	Mäso*	0,2 - 0,7 kg
A5	Ryby*	0,2 - 0,7 kg
A6	Hydina*	0,2 - 0,7 kg
A7	Lasagne	0,2 - 1 kg

A8	Mlieko/káva	0,25 - 0,5 kg
A9	Ryža	0,1 - 0,5 kg
A10	Špagety**	0,1 - 0,5 kg
A11	Chlieb	0,1 - 0,5 kg
A12	Pizza	1 - 2 polohy

* musí sa otočiť alebo premiešať, keď produkt zapípa

** pred varením je potrebné pridať vriacu vodu

Nastavenie časovača oneskorenia

i Časovač oneskorenia nemožno použiť s expresnými a programovanými procesmi.

Nastavte požadovaný program. Pred začatím procesu:

1. Stlačte a podržte tlačidlo Preset po dobu 3 sekúnd. Číslice hodín začnú blikať.
- i** (V funkcii odloženia štartu nastavíte čas, kedy sa má začať proces varenia. Aby časovač fungoval, musia byť hodiny správne nastavené (pozri kapitolu Nastavenie času).
2. Otočením číselníka nastavte hodiny.
3. Stlačte tlačidlo Preset. Číslice minút začnú blikať.
4. Otočením číselníka nastavte minúty.
5. Stlačte tlačidlo Preset (Prednastavenie) na dokončenie nastavenia časovača oneskorenia. Ozve sa pípnutie a displej začne blikať.
- i** Proces sa spustí po uplynutí nastaveného času.
6. Na kontrolu nastaveného času stlačte tlačidlo predvolby.
7. Na zrušenie časovača stlačte tlačidlo pauza.

Aktivácia detskej poistky

1. Stlačte a podržte tlačidlo pauza **A10** po dobu 3 sekúnd. Ozve sa pípnutie, na displeji sa zobrazí **OFF** a symbol zámku.
2. Na deaktiváciu detskej poistky stlačte a podržte tlačidlo pauzy po dobu 3 sekúnd.

Záruka

Tento výrobok je určený na domáce použitie. Akékoľvek zmeny a/alebo úpravy výrobku budú mať za následok neplatnosť záruky. Nemôžeme prevziať žiadnu zodpovednosť za škody spôsobené nesprávnym používaním výrobku. Bežné opotrebenie je zo záruky vylúčené.

Vyhlásenie o vylúčení zodpovednosti

Vzhľadom na neustály vývoj našich výrobkov z hľadiska funkčnosti a dizajnu si vyhradzuje právo na zmeny výrobku bez predchádzajúceho upozornenia. Všetky logá, značky a názvy výrobkov sú ochranné známky alebo registrované ochranné známky ich príslušných držiteľov a sú týmto uznané ako také.

Likvidácia



Tento výrobok je určený na separovaný zber na príslušnom zbernom mieste. Výrobok nelikvidujte spolu s domovým odpadom. Ďalšie informácie vám poskytne predajca alebo miestny úrad zodpovedný za nakladanie s odpadmi.

EÚ vyhlásenie o zhode

Vyhlasujeme, že tento výrobok je v súlade s príslušnými právnymi predpismi EÚ. Vyhlásenie o zhode EÚ je dostupné na našej webovej stránke alebo na požiadanie.

CS Rychlý návod

Kombinovaná mikrovlnná trouba

16330128 16330130
16330129 16330131



Ďalšie informácie získate naskenovaním QR kódu na titulní strane, kde najdete rozšírenou príručku.

O tomto dokumentu

Děkujeme za zakoupení produktu Melissa Kombinovaná mikrovlnná trouba.

Tento dokument je uživatelskou příručkou a obsahuje veškeré informace potřebné ke správnému, účinnému a bezpečnému používání výrobku.

Před instalací či používáním výrobku si nejprve kompletně přečtete pokyny obsažené v tomto dokumentu a ujistíte se, že jim rozumíte. Tento dokument a balení uschovejte pro případné budoucí použití.

Použité symboly

VAROVÁNÍ	Toto slovo se používá k označení potenciálně nebezpečné situace, která, pokud se jí nevyhnete, může mít za následek smrt nebo vážné zranění.
UPOZORNĚNÍ	Toto slovo se používá k označení potenciálně nebezpečné situace, která, pokud se jí nevyhnete, může mít za následek lehké nebo střední zranění.
OZNÁMENÍ	Toto slovo se používá k popisu postupů nesouvisejících s fyzickým zraněním.

Zamýšlené použití

Tento výrobek je volně stojící mikrovlnná trouba.

Výrobek je určen k ohřívání potravin a nápojů. Sušení potravin nebo oděvů a ohřívání vyhřívacích podložek, pantoflí, houbiček, vlhkých hadříků a podobných předmětů může vést k riziku poranění, vznícení nebo požáru.

Tento výrobek je určen výhradně k použití ve vnitřních prostorách.

Tento výrobek mohou používat děti od 8 let a starší a osoby se sníženými fyzickými, smyslovými nebo duševními schopnostmi nebo s nedostatkem zkušeností a znalostí, pokud jsou pod dohledem nebo byly poučeny o bezpečném používání výrobku a rozumí souvisejícím nebezpečím. Děti

si s výrobkem nesmí hrát. Čištění a uživatelskou údržbu nesmí provádět děti bez dozoru.

Výrobek nesmějí nikdy používat osoby se sníženými fyzickými, smyslovými či mentálními schopnostmi nebo osoby, které neví, jak výrobek obsluhovat.

Tento výrobek je určen k použití v domácnosti a podobných prostředích, jako jsou:

- kuchyňské kouty pro zaměstnance v obchodech, kancelářích a jiných pracovních prostředích;
- zemědělské usedlosti;
- klienty v hotelech, motelech a jiných ubytovacích zařízeních;
- ubytování typu bed and breakfast.

Výrobek není určen k profesionálnímu použití.

Jakékoli úpravy výrobku mohou ovlivnit jeho bezpečnost, záruku a správné fungování.

Hlavní části (obrázek A)

- | | |
|-------------------------|------------------------|
| 1 Dveře | 7 Zobrazit |
| 2 Grilovací rošt | 8 Otočný ovladač |
| 3 Skleněný otočný talíř | 9 Tlačítko Micro/Power |
| 4 Otočný prsteneč | 10 Tlačítko pauzy |
| 5 Vřeteno | 11 Tlačítko Instant |
| 6 Napájecí kabel | 12 Tlačítko Preset |

Bezpečnostní pokyny

Před instalací či používáním výrobku si nejprve kompletně přečtete pokyny obsažené v tomto dokumentu a ujistíte se, že jim rozumíte. Tento dokument a balení uschovejte pro případné budoucí použití.

Výrobek používejte pouze tak, jak je popsáno v tomto dokumentu.

VAROVÁNÍ

Nebezpečí úrazu elektrickým proudem. Otevření produktu může odhalit části pod napětím.

- Produkt nerozebírejte; uvnitř nejsou žádné součásti, které by mohl uživatel opravit.
- Údržbu tohoto výrobku smí provádět pouze kvalifikovaný technik.
- Před údržbou a výměnou součástí vždy odpojte výrobek od napájecího zdroje.

Nebezpečí úrazu elektrickým proudem. Kontakt s vodou může uživatele vystavit nebezpečí úrazu elektrickým proudem.

- Neponořujte výrobek do vody ani jiných kapalin.
- Před čištěním odpojte výrobek od napájení.
- Produkt neukládejte do myčky nádobí.

Nebezpečí úrazu elektrickým proudem. Pokud je napájecí kabel poškozen, může dojít k odhalení elektrického obvodu.

- Používejte vždy pouze přiložený napájecí kabel.
- Ujistěte se, že je kabel zcela vysunutý.
- Kabel nesmí být zkroutený ani omotaný kolem výrobku.
- Výrobek neodpojujte taháním za kabel. Vždy uchopte a vytáhněte zástrčku.
- Napájecí kabel nenechte viset přes okraj stolu ani

dotýkat se horkých povrchů.

- Napájecí kabel i výrobek je vždy nutné umístit tak, aby nepřekážel v místech, kudy se běžně chodí.

Nebezpečí vzniku jisker nebo požáru. Některé materiály mohou při vystavení mikrovlnnému záření způsobit požár.

- Grilovací rošt nepoužívejte v mikrovlnné troubě ani v kombinovaných režimech vaření. Grilovací rošt musí být umístěn na skleněném otočném talíři a používat se pouze pro grilování.
- Používejte pouze nádoby vhodné pro použití v mikrovlnných troubách.
- Kovové nádoby na potraviny a nápoje nejsou při vaření v mikrovlnné troubě povoleny.
- Používejte pouze teplotní sondu doporučenou pro tuto troubu (u spotřebičů, které mají možnost použití teplotní sondy).
- Při ohřívání potravin v plastových nebo papírových nádobách sledujte troubu, protože může dojít k vznícení.

Nebezpečí požáru v důsledku zkratu. Poškozené součásti se mohou přehřát a vznítit.

- Nepoužívejte výrobek, pokud je některá jeho část poškozená nebo vadná; okamžitě jej vyměňte.
- Pokud je napájecí kabel poškozený, je nutné jej nahradit speciálním kabelem nebo svazkem dostupným od výrobce nebo servisu.

Nebezpečí požáru v důsledku přehřátí. Pokud produkt nemůže odvést teplo, může se přehřát a vznítit.

- Nezakrývejte ventilační otvory.
- Neodstraňujte nožičky z výrobku.
- Vždy zajistíte dostatečný prostor kolem výrobku.
- Při umístění do skříňky používejte výrobek pouze s otevřenými dvířky skříňky.

Nebezpečí požáru v důsledku přehřátí. Pokud je výrobek používán bez obsahu, absorbuje záření sám. Nikdy nezapínajte výrobek, pokud je prázdný.

Nebezpečí zranění. Výrobek není určen pro děti mladší 8 let.

- Při používání zařízení jej neustále sledujte.
- Při používání spotřebiče dohlížejte na děti v jeho blízkosti.
- Nikdy nedovolte dětem ani domácím zvířatům, aby si s výrobkem hrály.

Nebezpečí vážného zranění a popálení. Horké povrchy a provoz bez dozoru mohou způsobit popáleniny nebo zranění.

- Pokud produkt nepoužíváte, odpojte jej od zdroje napájení.
- Nikdy nenechávejte výrobek bez dozoru, pokud jsou v blízkosti děti a zranitelné osoby.
- Tento výrobek nepoužívejte s externím časovačem nebo samostatným dálkovým ovládáním.

Nebezpečí udušení. Nenechávejte děti hrát si s obalovým materiálem. Obalový materiál vždy uchovávejte mimo dosah dětí.

Riziko vystavení mikrovlnnému záření. Poškození

výrobku může způsobit únik mikrovlnného záření:

- Provedení jakékoli údržby nebo opravy, které zahrnují sejmутí krytu chránícího před vystavením mikrovlnné energii, je nebezpečné pro všechny osoby kromě kompetentních odborníků.
- Pokud jsou dveře poškozené, může z výrobku unikat záření. Pokud jsou dveře, těsnění dveří nebo uzamykací systém poškozené, přestaňte výrobek používat a nechte jej opravit odbornou osobou.

Nebezpečí toxických výparů nebo požáru. Zbytky čisticích prostředků mohou uvolňovat škodlivé výpary nebo způsobovat jiskry. Po čištění vždy otřete všechny čisticí prostředky.

⚠ UPOZORNĚNÍ

Nebezpečí popálení. Produkt, použité potraviny a předměty se mohou během používání zahřát.

- Během používání se nedotýkejte povrchu tohoto výrobku.
- Tekutiny a jiné potraviny nesmí být ohřívány v uzavřených nádobách, protože mohou explodovat.
- Obsah kojenecých lahví a skleniček s dětskou výživou vždy promíchejte nebo protřepejte a před konzumací zkontrolujte teplotu, aby nedošlo k popálení.
- Vejce ve skořápce a celá vařená vejce by se neměla ohřívát v mikrovlnné troubě, protože mohou explodovat, a to i po ukončení ohřevu.
- Ohřívání olejů nebo tuků v produktu trvá dlouho a nádoba se velmi zahřeje. Produkt nikdy nepoužívejte k ohřívání olejů a tuků.

OZNÁMENÍ

Riziko poškození dvířek. Dvířka jsou vybavena bezpečnostním mechanismem, který je udržuje zavřená, když je výrobek v provozu. Nikdy při otevírání dvířek nepoužívejte nadměrnou sílu. Vždy počkejte, až se dvířka odemknou.

Riziko poškození v důsledku vystavení vodě. Vlhkost může poškodit vnitřní elektrické součásti.

- Nevystavujte výrobek působení vody, deště, vlhkosti či vysoce vlhkého vzduchu.
- Produkt nečistěte parním čističem.

Riziko poškození. Produkt není chráněn proti silným nárazům. Produkt neupouštějte a vyhněte se nárazům.

Riziko poškození povrchu. Čisticí prostředky mohou poškodit povrchovou úpravu. K čištění výrobku nepoužívejte agresivní chemické čisticí prostředky.

Riziko nehygienického produktu. Používání produktu bez skleněného otočného talíře a vhodné nádoby může způsobit hromadění nečistot a dokonce i růst bakterií. Produkt vždy používejte s nainstalovaným otočným talířem. Jídlo vždy ohřívajte na talíři nebo v nádobě vhodné do mikrovlnné trouby.

Vysvětlení symbolů na výrobku a balení

Ikona Popis



Varuje před horkým povrchem. Při styku s kůží může dojít k popálení. Nedotýkejte se.

Zkontrolujte obsah balení

Zkontrolujte, zda jsou všechny součásti přítomny a zda na nich nejsou viditelné žádné poškození. Pokud některé součásti chybí nebo jsou poškozené, kontaktujte servisní středisko na adrese: support.melissa-online.com

Instalace výrobku

- Před použitím odstraňte veškeré obaly z vnitřní i vnější strany výrobku.
- Umístěte výrobek ve svislé poloze na rovný a stabilní povrch, který unese jeho hmotnost (cca 12,5 kg).
- i** V zadní části musí být volný prostor minimálně 10 cm, po stranách 5 cm a nahoře 20 cm, aby byla zajištěna dostatečná ventilace a nedocházelo k přehřívání. Při instalaci do skříně nechte během používání dvířka skříně otevřená.
- Zkontrolujte, zda je skleněný otočný talíř **A** je správně usazen na prstenci otočného talíře **A** a hřídeli **A**. Drážka na spodní straně skleněného otočného talíře musí být vyrovnána se třemi kolečky.
- Zapojte napájecí kabel **A** do elektrické zásuvky. Displej **A** třikrát.

Nastavení času

- Stiskněte a podržte tlačítko Preset **A** po dobu 3 sekund. Číslice hodin blikají.
- Otočte kolečkem **A** a nastavte hodiny.
- Stiskněte tlačítko Preset. Číslice minut blikají.
- Otočením kolečka nastavte minuty.
- Stiskněte tlačítko Preset (Předvolba) pro dokončení nastavení času.

Použití výrobku

Doporučujeme používat skleněné, kameninové nebo mikrovlnné plastové nádoby a nádobí. Nikdy v produktu nepoužívejte následující nádoby:

- Uzavřené skleněné nádoby a láhve
 - Skleněné láhve s malým otvorem
 - Uzavřené plechovky a nádoby
 - Univerzální teploměry
 - Stříbrná fólie
 - Recyklovaný papír
 - Talíře se zlatými nebo stříbrnými ozdobami
 - Kontejnery obsahující jakýkoli kov
- i** Pokud chcete mikrovlnnou troubu vyzkoušet bez jídla, použijte sklenici vody.

Rychlá obsluha

- i** Během procesu stiskněte tlačítko pauzy, aby se proces pozastavil. Dvojitém stisknutím tlačítka pauzy proces zrušíte.

- Umístěte jídlo doprostřed otočného talíře.
- Zavři dveře.
- Stiskněte tlačítko „Instant“ **A**. Proces se okamžitě spustí na plný výkon po dobu 1 minuty.
- Volitelně můžete opakovaně stisknout tlačítko okamžitého spuštění a nastavit časovač.
- Po dokončení procesu vydá produkt 3 pípnutí a na displeji se zobrazí **END**.

Ruční ovládání

- Umístěte jídlo doprostřed otočného talíře.
 - Zavři dveře.
 - Stiskněte tlačítko Micro/Power **A**, abyste vybrali požadovaný výkon mikrovlnné trouby. Na displeji se zobrazí výkon mikrovlnné trouby v procentech. V následující tabulce jsou uvedeny odpovídající výkony ve wattech.
- i** Kromě mikrovlnného výkonu jsou k dispozici také programy _G, C1 a C2. Více informací naleznete v kapitolách Používání funkce grilu a Používání kombinovaných programů.

100	800 W
80	640 W
60	480 W
40	320 W
20	160 W

- i** Úroveň výkonu mikrovlnné trouby jsou zobrazeny jako procenta maximálního výkonu. Odpovídající hodnoty výkonu jsou orientační a nejsou pevně dané.
- Otočením knoflíku vyberte požadovanou dobu vaření.
- i** Pokud chcete, opakujte kroky 3 a 4, abyste naprogramovali více fází. Lze naprogramovat až 4 fáze. Během procesu, když časovač jedné fáze skončí, produkt automaticky pokračuje další fází.
- Stiskněte tlačítko „Instant“ pro spuštění procesu. Na displeji se zobrazí zbývající čas.
- i** Chcete-li zobrazit výkon mikrovlnné trouby během procesu, stiskněte tlačítko Micro/Power.
- Po dokončení procesu vydá produkt 3 pípnutí a na displeji se zobrazí **END**.

Použití funkce grilování

- i** Funkci grilu použijte k grilování masa nebo k přípravě toastových sendvičů a gratinovaných pokrmů.
- Umístěte grilovací rošt na skleněný otočný talíř.
 - Umístěte potraviny doprostřed grilovacího roštu.
 - Zavři dveře.
 - Opakovaně stiskněte tlačítko Micro/Power, dokud se na displeji nezobrazí _G.
 - Otočením knoflíku vyberte požadovanou dobu vaření.
 - Stiskněte tlačítko „Instant“ pro spuštění procesu. Na displeji se zobrazí zbývající čas.

Použití kombinovaných programů

- i** Kombinované programy využívají současně funkci mikrovlnné trouby a funkci grilu.

- Umístěte jídlo doprostřed otočného talíře.
- Zavřít dveře.
- Opakovaně stiskněte tlačítko Micro/Power, dokud se na displeji nezobrazí **C1** nebo **C2**.

Zobrazit	Funkce	Jídla
C1	30 % mikrovlnná trouba, 70 % gril	Ryby, brambory nebo gratinované pokrm
C2	55 % mikrovlnná trouba, 45 % gril	Omelety, pečené brambory nebo drůbež

Rozmrazování

- i** Tuto funkci použijte k rozmrazování masa a mořských plodů.
- Zvažte množství potravin a zapamatujte si jejich hmotnost.
 - Umístěte jídlo doprostřed otočného talíře.
 - Zavřít dveře.
 - Stiskněte tlačítko předvolby a vyberte správné nastavení odmrazování uvedené v tabulce níže.

Kód	Druh potraviny	Interval
D1	Maso	0,1 - 2 kg
D2	Drůbež	0,2 - 3 kg
D3	Mořské plody	0,1 - 0,9 kg

- Otočením kolečka nastavte hmotnost potravin v kg. Chcete-li například rozmrazit 600 gramů potravin, nastavte kolečko na „**0,6**“.
- Stiskněte tlačítko „Instant“ pro spuštění procesu. Pokud produkt během procesu vydá zvukový signál:
- Otevřete dveře. Proces se pozastaví.
- Jídlo otočte vzhůru nohama, nebo v případě menších kousků jídla je protřepejte nebo promíchejte.
- Zavřít dveře.
- Stiskněte tlačítko „Okamžitě“ pro pokračování v procesu.
- Po dokončení procesu vydá produkt 3 pípnutí a na displeji se zobrazí **END**.

Použití přednastavení

- Zvažte množství potravin a zapamatujte si jejich hmotnost.
- Umístěte jídlo doprostřed otočného talíře.
- Zavřít dveře.
- Otočte knoflíkem o jeden stupeň proti směru hodinových ručiček, abyste vstoupili do režimu předvolby.
- Otočením kolečka vyberte číslo odpovídající požadované předvolbě. Všechny předvolby najdete v tabulce níže.
- Stisknutím otočného ovladače vyberte předvolbu.
- Otočením kolečka nastavte hmotnost potravin v kg. Chcete-li například rozmrazit 600 gramů potravin, nastavte kolečko na „**0,6**“.
- Stiskněte tlačítko „Instant“ pro spuštění procesu.
- Po dokončení procesu vydá produkt 3 pípnutí a na displeji se zobrazí **END**.

Kód	Druh potraviny	Nastavení
A1	Popcorn	85 - 100 gr
A2	Brambory	0,45 - 0,65 kg
A3	Zelenina	0,1 - 0,5 kg
A4	Maso*	0,2 - 0,7 kg
A5	Ryby*	0,2 - 0,7 kg
A6	Drůbež*	0,2 - 0,7 kg
A7	Lasagne	0,2 - 1 kg
A8	Mléko/káva	0,25 - 0,5 kg
A9	Rýže	0,1 - 0,5 kg
A10	Špagety**	0,1 - 0,5 kg
A11	Chléb	0,1 - 0,5 kg
A12	Pizza	1–2 položky

* musí být otočeno nebo promícháno, když produkt vydá zvukový signál

** před vařením je nutné přidat vroucí vodu

Nastavení časovače zpoždění

- i** Časovač zpoždění nelze použít u expresních a programovaných procesů.
- Nastavte požadovaný program. Před zahájením procesu:
- Stiskněte a podržte tlačítko Preset po dobu 3 sekund. Číslice hodin blikají.
 - (Ve funkci odloženého startu nastavíte čas, kdy má být zahájen proces vaření. Aby časovač fungoval, musí být správně nastavený čas (viz kapitola Nastavení času).
 - Otočením kolečka nastavte hodiny.
 - Stiskněte tlačítko Preset. Číslice minut začnou blikat.
 - Otočením kolečka nastavte minuty.
 - Stiskněte tlačítko Preset (Předvolba) pro dokončení nastavení časovače zpoždění. Ozve se pípnutí a displej začne blikat.
- i** Proces se spustí po uplynutí nastaveného času.
- Chcete-li zkontrolovat nastavený čas, stiskněte tlačítko předvolby.
 - Chcete-li časovač zrušit, stiskněte tlačítko pauzy.

Aktivace dětské pojistky

- Stiskněte a podržte tlačítko pauzy **A10** po dobu 3 sekund. Ozve se pípnutí, na displeji se zobrazí **OFF** a symbol zámku.
- Chcete-li deaktivovat dětskou pojistku, stiskněte a podržte tlačítko pauzy po dobu 3 sekund.

Záruka

Tento výrobek je určen pro domácí použití. Jakékoli změny a/nebo úpravy výrobku mají za následek ztrátu záruky. Nemůžeme převzít žádnou odpovědnost za škody způsobené nesprávným používáním výrobku. Na běžné opotřebení se záruka nevztahuje.

Vyloučení odpovědnosti

Vzhledem k neustálému vývoji našich výrobků z hlediska funkčnosti a designu si vyhrazujeme právo na změny výrobku bez předchozího upozornění. Všechna loga, značky

a názvy produktů jsou ochranné známky nebo registrované ochranné známky příslušných držitelů a jsou tímto jako takové uznávány.

Likvidace



Tento výrobek je určen k oddělenému sběru na příslušném sběrném místě. Výrobek nelikvidujte společně s domovním odpadem. Další informace získáte u prodejce nebo u místního úřadu odpovědného za nakládání s odpady.

Prohlášení o shodě EU

Prohlašujeme, že tento výrobek je v souladu s příslušnými právními předpisy EU. Prohlášení o shodě EU je k dispozici na našich webových stránkách nebo na vyžádání.

RO Ghid rapid de inițiere

Cuptor cu microunde combinat

16330128 16330130
16330129 16330131



Penru mai multe informații, scanați codul QR de pe prima pagină pentru a vedea manualul extins.

Despre acest document

Vă mulțumim că ați achiziționat produsul Melissa Cuptor cu microunde combinat.

Acest document este manualul de utilizare și conține toate informațiile pentru utilizarea corectă, eficientă și sigură a produsului.

Asigurați-vă că ați citit complet și că ați înțeles instrucțiunile din acest document înainte de a instala sau utiliza produsul. Păstrați ambalajul și acest document pentru a le consulta ulterior.

Simboluri utilizate

▲ AVERTIS-MENT	Cuvânt de semnalizare utilizat pentru a indica o situație cu risc potențial care, dacă nu este evitată, poate duce la deces sau vătămări corporale grave.
⚠ ATENȚIE	Cuvânt de semnalizare utilizat pentru a indica o situație cu risc potențial care, dacă nu este evitată, ar putea duce la vătămări corporale minore sau moderate.
NOTĂ	Cuvânt de semnalizare utilizat pentru a indica practici care nu sunt legate de vătămarea corporală.

Utilizare preconizată

Acest produs este un cuptor cu microunde independent. Produsul este destinat încălzirii alimentelor și băuturilor. Uscarea alimentelor sau a hainelor și încălzirea pernelor termice, papucilor, bureților, cărpelor umede și altor obiecte similare poate duce la riscul de rănire, aprindere sau incendiu. Acest produs este destinat exclusiv pentru utilizare la interior.

Acest produs poate fi utilizat de copii cu vârsta începând de la 8 ani și de persoane cu capacități fizice, senzoriale sau mentale reduse sau cu lipsă de experiență și cunoștințe, dacă au fost supravegheați sau instruiți cu privire la utilizarea produsului în condiții de siguranță și dacă înțeleg pericolele implicate. Copiii nu trebuie să se joace cu produsul. Curățarea și întreținerea de către utilizator nu trebuie să fie efectuate de copii fără supraveghere. Nu lăsați să folosească produsul persoanele cu capacități fizice, senzoriale sau mentale sau cărora le lipsesc experiența și cunoștințele asupra modului de operare.

Acest produs este destinat utilizării în gospodării și aplicații similare, de exemplu:

- bucătării pentru personal în magazine, birouri și alte medii de lucru;
- case de fermă;
- de către clienții hotelurilor, motelurilor și altor tipuri de medii rezidențiale;
- medii de tip pensiune.

Produsul nu este destinat utilizării profesionale.

Orice modificare a produsului poate avea consecințe pentru siguranța, garanția și funcționarea corectă a produsului.

Piese principale (imagine A)

- | | |
|-----------------------------|---------------------|
| 1 Ușă | 7 Afișaj |
| 2 Grătar | 8 Cadran |
| 3 Placă rotativă din sticlă | 9 Buton Micro/Power |
| 4 Inel rotativ | 10 Butonul Pauză |
| 5 Ax | 11 Buton Instant |
| 6 Cablu electric | 12 Buton Preset |

Instrucțiuni de siguranță

Asigurați-vă că ați citit complet și că ați înțeles instrucțiunile din acest document înainte de a instala sau utiliza produsul. Păstrați ambalajul și acest document pentru a le consulta ulterior.

Utilizați produsul numai așa cum este descris în acest document.

▲ AVERTISMENT

Risc de electrocutare. Deschiderea produsului poate expune părți sub tensiune.

- Nu dezasamblați produsul; în interior nu există piese care pot fi reparate de utilizator.
- Acest produs poate fi reparat numai de un tehnician calificat pentru întreținere.
- Deconectați produsul de la sursa electrică înainte de service și când înlocuiți piese.

Risc de electrocutare. Contactul cu apa poate expune utilizatorul la componente electrice sub tensiune.

- Nu scufundați produsul în apă sau alte lichide.
 - Deconectați produsul de la sursa electrică înainte de curățare.
 - Nu introduceți produsul în mașina de spălat vase.
- Risc de electrocutare. Când** cablul de alimentare este deteriorat, circuitul electric poate fi expus.
- Folosiți numai cablul de alimentare furnizat.

- Asigurați-vă că cablul este complet extins.
- Cablul nu trebuie să fie răsucit sau înfășurat în jurul produsului.
- Nu trageți de cablu pentru a deconecta produsul de la priză. Apucați întotdeauna ștecherul și trageți de acesta.
- Nu lăsați cablul să atârne peste marginea mesei sau a blatului de bucătărie și nici să atingă suprafețe fierbinți.
- Țineți întotdeauna cablul de alimentare și produsul departe de locurile pe unde trec persoane în mod obișnuit.

Risc de scântei sau incendiu. Unele materiale pot provoca incendii atunci când sunt expuse la radiații cu microunde.

- Nu utilizați grătarul în modul de gătit cu microunde sau în modul combinat. Grătarul trebuie așezat pe platoul rotativ din sticlă și utilizat numai pentru gătitul la grătar.
- Utilizați numai ustensile adecvate pentru cuptorul cu microunde.
- Recipientele metalice pentru alimente și băuturi nu sunt permise în timpul gătirii la cuptorul cu microunde.
- Utilizați numai sonda de temperatură recomandată pentru acest cuptor (pentru aparatele care dispun de o funcție de utilizare a unei sonde de detectare a temperaturii).
- Când încălziți alimente în recipiente din plastic sau hârtie, supravegheați cu atenție cuptorul, deoarece există riscul de aprindere.

Risc de incendiu din cauza unui scurtcircuit.

Componentele deteriorate se pot supraîncălzi și pot lua foc.

- Nu utilizați produsul dacă vreo piesă este deteriorată sau defectă; înlocuiți-l imediat.
- Dacă este avariata cablul electric, acesta trebuie înlocuit cu un cablu special sau un ansamblu disponibil de la producător sau agentul său de service.

Risc de incendiu din cauza supraîncălzirii. Dacă produsul nu poate elimina căldura, se poate supraîncălzi și aprinde.

- Nu blocați orificiile de ventilație.
- Nu îndepărtați picioarele de pe produs.
- Asigurați-vă întotdeauna că există suficient spațiu în jurul produsului.
- Când este amplasat într-un dulap, utilizați produsul numai cu ușa dulapului deschisă.

Risc de incendiu din cauza supraîncălzirii. Când produsul este utilizat fără nimic în interior, acesta absoarbe radiația. Nu porniți niciodată produsul când este gol.

Risc de rănire. Produsul nu este destinat utilizării de către copii cu vârsta sub 8 ani.

- Supravegheați constant aparatul în timpul utilizării.
- Supravegheați copiii aflați în apropierea aparatului atunci când acesta este în funcțiune.
- Nu permiteți niciodată copiilor sau animalelor de companie să se joace cu produsul.

Risc de răni grave și arsuri. Suprafețele fierbinți și

- funcționarea nesupravegheată pot provoca arsuri sau răni.
- Deconectați produsul de la sursa de alimentare când nu îl utilizați.
 - Nu lăsați niciodată produsul nesupravegheat în prezența copiilor și a persoanelor vulnerabile.

- Nu utilizați acest produs cu un temporizator extern sau un sistem separat de control de la distanță.

Risc de sufocare. Nu lăsați copiii să se joace cu materialul de ambalare. Păstrați întotdeauna materialul de ambalare la îndemâna copiilor.

Riscul de expunere la radiații cu microunde.

Deteriorarea produsului poate provoca scurgerea radiațiilor cu microunde:

- Este periculos ca orice persoană, alta decât una competentă, să efectueze operațiuni de service sau reparații care implică îndepărtarea capacului care asigură protecția împotriva expunerii la energia microundelor.
- Când ușa este deteriorată, radiațiile pot ieși din produs. Dacă ușa, garniturile ușii sau sistemul de blocare sunt deteriorate, nu mai folosiți produsul și solicitați repararea acestuia de către o persoană competentă.

Risc de fum toxic sau incendiu. Reziduurile de curățare pot elibera fum nociv sau pot provoca scântei. Ștergeți întotdeauna toate produsele de curățare după curățare.

⚠ ATENȚIE

Risc de arsuri. Produsul, precum și alimentele și obiectele utilizate, se pot încălzi în timpul utilizării.

- Nu atingeți suprafața acestui produs în timpul utilizării.
- Lichidele și alte alimente nu trebuie încălzite în recipiente sigilate, deoarece pot exploda.
- Amestecați sau agitați întotdeauna conținutul biberonelor și borcanelor cu alimente pentru bebeluși și verificați temperatura înainte de consum, pentru a evita arsurile.
- Ouăle în coajă și ouăle fierte întregi nu trebuie încălzite în cupatoare cu microunde, deoarece pot exploda, chiar și după terminarea încălzirii cu microunde.
- Încălzirea uleiurilor sau grăsimilor din produs durează mult timp, iar recipientul se va încălzi foarte tare. Nu folosiți niciodată produsul pentru a încălzi uleiuri și grăsimi.

NOTĂ

Riscul de deteriorare a ușii. Ușa are un mecanism de siguranță care o menține închisă atunci când produsul este în funcțiune. Nu aplicați niciodată forță excesivă atunci când deschideți ușa. Așteptați întotdeauna ca ușa să se deblocheze.

Riscul de deteriorare din cauza expunerii la apă.

Umiditatea poate deteriora componentele electrice interne.

- Nu expuneți produsul la apă, ploaie, umezeală sau umiditate puternică.
- Nu curățați produsul cu un aparat de curățat cu abur.

Risc de deteriorare. Produsul nu este protejat împotriva impacturilor puternice. Nu scăpați produsul și evitați loviturile.

Risc de deteriorare a suprafeței. Agenții de curățare pot deteriora finisajul. Nu utilizați agenți de curățare chimici agresivi pentru curățarea produsului.

Risc de produs neigienic. Utilizarea produsului fără platoul

rotativ din sticlă și un recipient adecvat poate provoca acumularea de murdărie și chiar dezvoltarea bacteriilor. Utilizați întotdeauna produsul cu platoul rotativ instalat. Încălziți întotdeauna alimentele pe o farfurie sau într-un recipient adecvat pentru cuptorul cu microunde.

Explicația simbolurilor de pe produs sau ambalaj

Pictogramă Descriere



Indicație pentru o suprafață fierbinte. Contactul poate produce arsuri. Nu atingeți.

Verificați conținutul ambalajului

Verificați dacă toate piesele sunt prezente și dacă nu prezintă semne vizibile de deteriorare. Dacă lipsesc piese sau dacă acestea sunt deteriorate, contactați serviciul de asistență la: support.melissa-online.com

Instalarea produsului

1. Îndepărtați toate ambalajele din interiorul și exteriorul produsului înainte de utilizare.
2. Așezați produsul în poziție verticală pe o suprafață plană și stabilă, capabilă să suporte greutatea produsului (aproximativ 12,5 kg).

- i** Trebuie să existe un spațiu liber de cel puțin 10 cm în spate, 5 cm pe laterale și 20 cm în partea superioară pentru a asigura o ventilație suficientă și a evita supraîncălzirea. Când este instalat într-un dulap, țineți ușa dulapului deschisă în timpul utilizării.
3. Verificați dacă platoul rotativ din sticlă **A3** este așezată corect pe inelul platoului rotativ **A4** și axul **A5**. Șanțul de pe partea inferioară a platoului rotativ din sticlă trebuie să fie aliniat cu cele trei roți.
 4. Conectați cablul de alimentare **A6** la o priză de alimentare.

Afișajul **A7** clipește de trei ori.

Setarea orei

1. Apăsați și țineți apăsat butonul Preset **A12** timp de 3 secunde. Cifrele orei clipeșc.
2. Rotiți cadranul **A6** pentru a seta orele.
3. Apăsați butonul Preset. Cifrele minutelor clipeșc.
4. Rotiți cadranul pentru a seta minutele.
5. Apăsați butonul Preset pentru a finaliza setarea orei.

Utilizarea produsului

Vă recomandăm să utilizați recipiente și ustensile din sticlă, ceramică sau plastic rezistent la microunde. Nu utilizați niciodată următoarele ustensile în produs:

- Borcane și sticle de sticlă sigilate
- Sticle de sticlă cu deschideri mici
- Cutii și recipiente închise
- Termometre de uz general
- Folie de argint
- Hârtie reciclată
- Farfurii cu decorațiuni din aur sau argint
- Container care conțin orice fel de metal

- i** Dacă doriți să testați cuptorul cu microunde fără alimente, utilizați un pahar cu apă.

Funcționare rapidă

- i** În timpul procesului, apăsați butonul de pauză pentru a întrerupe procesul. Apăsați de două ori butonul de pauză pentru a anula procesul.
1. Așezați alimentele în mijlocul platoului rotativ.
 2. Închide ușa.
 3. Apăsați butonul instant **A11**. Procesul începe imediat la putere maximă timp de 1 minut.
 4. Opțional, apăsați repetat butonul instant pentru a regla cronometrul.
 5. Când procesul este terminat, produsul emite 3 semnale sonore, iar pe afișaj apare **mesajul END**.

Funcționare manuală

1. Așezați alimentele în mijlocul platoului rotativ.
 2. Închide ușa.
 3. Apăsați butonul Micro/Power **A9** în mod repetat pentru a selecta puterea dorită a cuptorului cu microunde. Afișajul indică puterea microundelor în procente. Tabelul de mai jos prezintă puterile corespunzătoare.
- i** Pe lângă puterea cuptorului cu microunde, sunt disponibile și programele _G, C1 și C2. Pentru mai multe informații, consultați capitolele Utilizarea funcției grill și Utilizarea programelor combinate.

100	800 W
80	640 W
60	480 W
40	320 W
20	160 W

- i** Nivelurile de putere ale cuptorului cu microunde sunt afișate ca procente din puterea maximă. Valorile corespunzătoare ale puterii în wați sunt orientative și nu sunt fixe.
4. Rotiți butonul pentru a selecta timpul de gătire dorit.
- i** Dacă doriți, repetați pașii 3 și 4 pentru a programa mai multe etape. Se pot programa până la 4 etape. În timpul procesului, când temporizatorul unei etape se termină, produsul continuă automat cu etapa următoare.
5. Apăsați butonul instant pentru a începe procesul. Afișajul indică timpul rămas.
- i** Pentru a afișa puterea cuptorului cu microunde în timpul procesului, apăsați butonul Micro/Power.
6. Când procesul este terminat, produsul emite 3 semnale sonore, iar pe afișaj apare **mesajul END**.

Utilizarea funcției grill

- i** Utilizați funcția grill pentru a frige carne sau pentru a prepara sandvișuri prăjite și gratinuri.
1. Așezați grătarul deasupra platoului rotativ din sticlă.
 2. Așezați alimentele în mijlocul grătarului.
 3. Închide ușa.
 4. Apăsați repetat butonul Micro/Power până când pe ecran apare **_G**.

5. Rotiți butonul pentru a selecta timpul de gătire dorit.
6. Apăsăți butonul instant pentru a începe procesul. Afișajul indică timpul rămas.

Utilizarea programelor combinate

i Programele combinate utilizează simultan funcția cu microunde și funcția grill.

1. Așezați alimentele în mijlocul platoului rotativ.
2. Închide ușa.
3. Apăsăți repetat butonul Micro/Power până când pe ecran apare **C1** sau **C2**.

Afișaj	Funcție	Vase
C1	30% cuptor cu microunde, 70% grătar	Pește, cartofi sau gratinuri
C2	55% cuptor cu microunde, 45% grătar	Omletă, cartofi copti sau carne de pasăre

Decongelare

i Utilizați această funcție pentru a dezgheța carnea și fructele de mare.

1. Cântărește cantitatea de alimente și reține greutatea.
2. Așezați alimentele în mijlocul platoului rotativ.
3. Închide ușa.
4. Apăsăți butonul presetat pentru a selecta setarea corectă de dezghețare indicată în tabelul de mai jos.

Cod	Tipul alimentului	Interval
D1	Carne	0,1 - 2 kg
D2	Păsări de curte	0,2 - 3 kg
D3	Fructe de mare	0,1 - 0,9 kg

5. Rotiți butonul pentru a seta greutatea alimentelor în kg. De exemplu, pentru a dezgheța 600 de grame de alimente, setați butonul la „**0,6**”.
6. Apăsăți butonul instant pentru a începe procesul. Când produsul emite un semnal sonor în timpul procesului:
7. Deschide ușa. Procesul se întrerupe.
8. Întoarceți alimentele cu susul în jos sau, în cazul bucăților mai mici, agitați-le sau amestecați-le.
9. Închide ușa.
10. Apăsăți butonul instant pentru a continua procesul.
11. Când procesul este terminat, produsul emite 3 semnale sonore, iar pe afișaj apare **mesajul END**.

Folosirea presetărilor

1. Cântărește cantitatea de alimente și reține greutatea.
2. Așezați alimentele în mijlocul platoului rotativ.
3. Închide ușa.
4. Rotiți butonul cu un pas în sens antiorar pentru a intra în modul presetat.
5. Rotiți butonul pentru a selecta numărul corespunzător presetării dorite. Consultați tabelul de mai jos pentru toate presetările.
6. Apăsăți butonul rotativ pentru a selecta o presetare.
7. Rotiți butonul pentru a seta greutatea alimentelor în

kg. De exemplu, pentru a dezgheța 600 de grame de alimente, setați butonul la „**0,6**”.

8. Apăsăți butonul instant pentru a începe procesul.
9. Când procesul este terminat, produsul emite 3 semnale sonore, iar pe afișaj apare **mesajul END**.

Cod	Tipul alimentului	Setări
A1	Floricele de porumb	85 - 100 gr
A2	Cartofi	0,45 - 0,65 kg
A3	Legume	0,1 - 0,5 kg
A4	Carne*	0,2 - 0,7 kg
A5	Pește*	0,2 - 0,7 kg
A6	Păsări de curte*	0,2 - 0,7 kg
A7	Lasagna	0,2 - 1 kg
A8	Lapte/cafea	0,25 - 0,5 kg
A9	Orez	0,1 - 0,5 kg
A10	Spaghete**	0,1 - 0,5 kg
A11	Pâine	0,1 - 0,5 kg
A12	Pizza	1 - 2 articole

* trebuie întors sau amestecat când produsul emite un semnal sonor

** trebuie să adăugați apă clocotită înainte de gătit

Setarea temporizatorului de întârziere

i Temporizatorul de întârziere nu poate fi utilizat cu procesele expres și programate.

Setați programul dorit. Înainte de a începe procesul:

1. Apăsăți și țineți apăsat butonul Preset timp de 3 secunde. Cifrele orei clipeșc.
- i** (În funcția temporizator de întârziere, setați ora la care trebuie să înceapă procesul de gătire. Ceasul trebuie setat corect pentru ca temporizatorul să funcționeze (consultați capitolul Setarea orei).
2. Rotiți cadranul pentru a seta ora.
3. Apăsăți butonul Preset. Cifrele minutelor încep să clipească.
4. Rotiți cadranul pentru a seta minutele.
5. Apăsăți butonul Preset pentru a finaliza setarea temporizatorului de întârziere. Se aude un semnal sonor și afișajul clipește.
- i** Procesul începe când se ajunge la timpul setat.
6. Pentru a verifica ora setată, apăsați butonul de presetare.
7. Pentru a anula cronometrul, apăsați butonul de pauză.

Activarea blocării pentru copii

1. Apăsăți și țineți apăsat butonul de pauză **A** timp de 3 secunde. Se aude un semnal sonor, pe ecran apare **OFF** și un simbol de blocare .
2. Pentru a dezactiva blocarea pentru copii, apăsați și țineți apăsat butonul de pauză timp de 3 secunde.

Garanție

Acest produs este destinat uzului casnic. Orice schimbare și/ sau modificare a produsului va invalida garanția. Nu putem accepta nicio răspundere pentru daunele cauzate de

utilizarea necorespunzătoare a produsului. Uzura normală este exclusă din garanție.

Precizări legale

Datorită dezvoltării constante a produselor noastre în ceea ce privește funcția și designul, ne rezervăm dreptul de a face modificări la produs fără notificare prealabilă. Toate logo-urile, mărcile și denumirile produselor sunt mărci comerciale sau mărci comerciale înregistrate ale deținătorilor lor respectivi și sunt recunoscute ca atare.

Eliminare



Acest produs este destinat colectării separate la un punct de colectare adecvat. Nu aruncați produsul împreună cu deșeurile menajere. Pentru mai multe informații, contactați distribuitorul sau autoritatea locală responsabilă cu gestionarea deșeurilor.

Declarație UE de conformitate

Declarăm că acest produs este conform legislației relevante ale UE. Declarația UE de conformitate este disponibilă pe site-ul nostru web sau poate fi obținută la cerere.

EST Lühijuhend	16330128	16330130
Kombineeritud mikrolaineahi	16330129	16330131



Lisateabe saamiseks skannige esilehel olevat QR-koodi, et näha laiendatud kasutusjuhendit.

Selle dokumendi kohta

Täname, et osite Melissa Kombineeritud mikrolaineahi. Käesolev dokument on kasutusjuhend ja sisaldab kogu teavet seadme korrektse, tõhusa ja ohutu kasutamise kohta. Enne toote paigaldamist või kasutamist tuleb kõik käesolevas dokumendis toodud juhised läbi lugeda ja endale selgeks teha. Hoidke pakend ja käesolev dokument edaspidiseks alles.

Kasutatud sümboolid

▲ HOIATUS	Mürgusõna, mida kasutatakse potentsiaalselt ohtliku olukorra tähistamiseks, mis võib põhjustada surma või tõsiseid vigastusi, kui seda ei väldita.
⚠ ETTEVAATUST	Mürgusõna, mida kasutatakse potentsiaalselt ohtliku olukorra tähistamiseks, mille vältimata jätmine võib põhjustada kerge või mõõduka vigastuse.
MÄRKUS	Märksõna, mida kasutatakse tavade käsitlemiseks, mis ei ole seotud füüsilise vigastusega.

Ettenähtud otstarve

See toode on iseseisev mikrolaineahi.

Toode on mõeldud toidu ja jookide soojendamiseks. Toidu või riide kuivatamine ning soojenduspadid, susside, käsnade, niiske lapiga jms soojendamine võib põhjustada vigastuste, süttimise või tulekahju ohtu.

See toode on mõeldud ainult siseruumides kasutamiseks. Seda toodet võivad kasutada lapsed alates 8-aastastest ja vanemad ning isikud, kellel on vähenenud füüsilised, sensoorsed või vaimsed võimed või kellel puuduvad kogemused ja teadmised, kui nad on saanud järelevalvet või juhiseid toote ohutu kasutamise kohta ja mõistavad sellega kaasnevaid ohte. Lapsed ei tohi tootega mängida. Lapsed ei tohi ilma järelevalveta teha puhastus- ja hooldustöid. Ärge laske toodet kasutada inimestel, kelle füüsilised, tajulised või vaimsed võimed on vähenenud või kellel puuduvad kogemused ja teadmised toote kasutamise kohta.

See toode on mõeldud kasutamiseks kodumajapidamises ja sarnastes rakendustes, nagu näiteks:

- poe-, kontori- ja muude töökeskkonna töötajate köögiruumid;
- talumajad;
- klientide poolt hotellides, motellides ja muudes elamutüüpi keskkondades;
- bed and breakfast tüüpi keskonnad.

Toode ei ole mõeldud professionaalseks kasutamiseks.

Toote mis tahes muutmine võib mõjutada ohutust, garantiid ja nõuetekohast toimimist.

Peamised osad (joonis A)

- | | |
|----------------------|-----------------------|
| 1 Uks | 7 Kuvamine |
| 2 Grillrest | 8 Valige |
| 3 Klaasist pöördlaud | 9 Micro/Power nupp |
| 4 Pöördalus | 10 Pausinupp |
| 5 Võll | 11 Kiirinnupp |
| 6 Toitejuhe | 12 Eelseadistuse nupp |

Ohutusnõuded

Enne toote paigaldamist või kasutamist tuleb kõik käesolevas dokumendis toodud juhised läbi lugeda ja endale selgeks teha. Hoidke pakend ja käesolev dokument edaspidiseks alles.

Kasutage toodet ainult käesolevas dokumendis kirjeldatud viisil.

▲ HOIATUS

Elektrilöögi oht. Toote avamine võib paljastada pingestatud osad.

- Ärge toodet lahti võtke; selle sees ei ole kasutaja poolt hooldatavaid osi.
- Seda toodet tohib hooldada ainult kvalifitseeritud tehnik.
- Enne hooldust ja osade vahetamist ühendage toode vooluvõrgust lahti.

Elektrilöögi oht. Kokkupuude veega võib kasutada elektriliste osadega kokku puutuda.

- Ärge kastke toodet vette või muudesse vedelikesse.
- Enne puhastamist ühendage toode vooluallikast lahti.

- Ärge pange toodet nõudepesumasinasse.

Elektrilöögi oht. Kui toitekaabel on kahjustatud, võib elektriahel paljastuda.

- Kasutage ainult kaasasolevat toitejuhet.
- Veenduge, et kaabel on täielikult välja tõmmatud.
- Kaabel ei tohi olla keeratud ega toote ümber mähitud.
- Seadme eemaldamisel vooluvõrgust ärge tõmmake juhtmest. Võtke alati kinni pistikust ja tõmmake.
- Ärge laske toitekaabli ripneda laua või leti serva üle ega puudutada kuumi pindu.
- Hoidke toitejuhe ja toode alati eemal tavapärastest kõnniteedest.

Sädemete või tulekahju oht. Mõned materjalid võivad mikrolainekiirguse mõjul süttida.

- Ärge kasutage grillrestit mikrolaineahjus ega kombineeritud küpsetusrežiimides. Grillrest tuleb asetada klaasist pöördlauale ja kasutada ainult grillimiseks.
- Kasutage ainult mikrolaineahjus kasutamiseks sobivaid nõusid.
- Mikrolaineahjus toidu ja jookide valmistamisel ei tohi kasutada metallist nõusid.
- Kasutage ainult selle ahju jaoks soovitatud temperatuuridurit (seadmete puhul, millel on võimalik kasutada temperatuuridurit).
- Kui soojendate toitu plast- või paberist nõudes, jälgige ahju, kuna on olemas süttimise oht.

Lühise tõttu tekkiv tulekahjuoht. Kahjustatud

- komponendid võivad ülekuumeneda ja süttida.
- Ärge kasutage toodet, kui mõni osa on kahjustatud või defektne; vahetage see viivitamatult välja.
 - Kui toitekaabel on kahjustatud, tuleb see asendada spetsiaalse kaabli või komplektiga, mida saab osta tootjalt või selle teeninduspartnerilt.

Ülekuumenemisest tingitud tulekahjuoht. Kui toode ei saa soojust ära juhtida, võib see ülekuumeneda ja süttida.

- Ärge blokeerige ventilatsiooniavasid.
- Ärge eemaldage toote jalgu.
- Tagage alati piisav ruum toote ümber.
- Kui toode on paigutatud kappi, kasutage seda ainult kapiuks avatuna.

Ülekuumenemise tõttu tekkiv tulekahjuoht. Kui toodet kasutatakse ilma sisuga, neelab see kiirguse ise. Ära kunagi käivita toodet, kui see on tühi.

Vigastuste oht. Toode ei ole mõeldud kasutamiseks alla 8-aastastele lastele.

- Hoidke seadet kasutamise ajal pideva järelevalve all.
- Jälgige seadme kasutamise ajal selle läheduses viibivaid lapsi.
- Ärge kunagi lubage lastel või lemmikloomadel tootega mängida.

Tõsiste vigastuste ja põletuste oht. Kuumad pinnad ja järelevalveta kasutamine võivad põhjustada põletusi või vigastusi.

- Kui toodet ei kasutata, ühendage see vooluvõrgust lahti.
- Ärge jätke toodet järelevalveta, kui läheduses on lapsed ja haavatavad inimesed.

- Ärge kasutage seda toodet välise taimeri või eraldi kuujuhitmissüsteemi abil.

Ägamisohu oht. Ärge laske lastel pakkematerjaliga mängida. Hoidke pakkematerjal alati laste käeulatusest eemal.

Mikrolainekiirguse kokkupuute oht. Tootekahjustused võivad põhjustada mikrolainekiirguse väljapääsu:

- Kõikidel isikutel, kes ei ole pädevad, on ohtlik teha hooldus- või remonditöid, mis hõlmavad mikrolaineenergia eest kaitsva katte eemaldamist.
- Kui uks on kahjustatud, võib tootest väljuda kiirgus. Kui uks, ukse tihendid või lukustussüsteem on kahjustatud, lõpetage toote kasutamine ja laske see parandada pädevale isikul.

Mürgiste aurude või tulekahju oht. Puhastusjäädid võivad eraldada kahjulikke aure või põhjustada sädemeid.

Puhastage pärast puhastamist alati kõik puhastusvahendid ära.

⚠ ETTEVAATUST

Põletuste oht. Toodet e ning kasutatavad toiduained ja esemed võivad kasutamise ajal kuumaks minna.

- Ärge puudutage toote pinda kasutamise ajal.
- Vedelikke ja muid toiduaineid ei tohi kuumutada suletud anumates, kuna need võivad plahvatada.
- Segage või loksutage alati pudelite ja beebitoidu purkide sisu ning kontrollige enne tarbimist temperatuuri, et vältida põletusi.
- Koorega mune ja terved keedetud mune ei tohi mikrolaineahjus kuumutada, kuna need võivad plahvatada isegi pärast mikrolainekuumutamise lõppu.
- Tooted õlide või rasvade kuumutamine võtab kaua aega ja anum muutub väga kuumaks. Ära kasuta toodet kunagi õlide ja rasvade kuumutamiseks.

MÄRKUS

Uksel kahjustuste tekkimise oht. Uksel on ohutusmehhanism, mis hoiab ukse suletuna, kui toode on kasutusel. Ärge avage ust kunagi liiga suure jõuga. Oodake alati, kuni uks on lukust lahti.

Veega kokkupuutest tingitud kahjustuste oht. Niiskuse võib kahjustada sisemisi elektrilisi osi.

- Ärge pange toodet kokku vee, vihma, niiskuse või kõrge õhuniiskusega.
- Ärge puhastage toodet aurupuhastiga.

Kahjustuste oht. Toode ei ole kaitstud tugeva löögi eest.

Ärge laske toodet maha kukkuda ja vältige kokkupõrkeid.

Pinna kahjustamise oht. Puhastusvahendid võivad viimistlust kahjustada. Tootet puhastamisel ärge kasutage agressiivseid keemilisi puhastusvahendeid.

Hügieenilise puudumise oht. Tootet kasutamine ilma klaasist pöördlauata ja sobiva nõuta võib põhjustada mustuse kogunemist ja isegi bakterite kasvu. Kasutage toodet alati koos pöördlauaga. Kuumutage toitu alati mikrolaineahjus kasutatavale taldrikule või nõule.

Tootel või pakendil olevate tähiste selgitus

Ikoon Kirjeldus



Kuum pind. Puudutamine võib põhjustada põletusi. Ära puuduta.

Kontrollige pakendi sisu

Kontrollige, et kõik osad oleksid olemas ja et neil ei oleks nähtavaid kahjustusi. Kui osad puuduvad või on kahjustatud, võtke ühendust teeninduslauaga aadressil: support.melissa-online.com

Toote paigaldamine

1. Eemaldage enne kasutamist kõik pakendid toote seest ja pealt.
 2. Asetage toode püsti tasasele ja stabiilsele pinnale, mis suudab kanda toote kaalu (u 12,5 kg).
 - 1 Tagaküljel peab olema vähemalt 10 cm, külgedel 5 cm ja ülaosas 20 cm vaba ruumi, et tagada piisav ventilatsioon ja vältida ülekuumenemist. Kui seade on paigaldatud kappi, hoidke kasutamise ajal kapi uks avatuna.
 3. Kontrollige, kas klaasist pöördlaud **A**ⓐ ja õigesti paigaldatud pöördaluse rõngale **A**ⓑ ja spindel **A**ⓒ.
 - Klaasist pöördaluse põhjas olev soon peab olema joondatud kolme rattaga.
 4. Ühendage toitekaabel **A**ⓓ pistikupesa.
- Ekraan **A**ⓔ vilgub kolm korda.

Aja seadmine

1. Hoidke all eelseadistuse nuppu **A**ⓕ 3 sekundit. Tunni numbrid vilguvad.
2. Pöörake nuppu **A**ⓖ, et määrata kellaaeg.
3. Vajutage nuppu Preset. Minutite numbrid vilguvad.
4. Keerake numbrikettal, et määrata minutid.
5. Aja seadistamise lõpetamiseks vajutage nuppu Preset.

Toote kasutamine

Soovitame kasutada klaasist, keraamilistest või mikrolaineahjus kasutatavatest plastist nõusid ja söögiriistu. Ära kasuta tootes kunagi järgmisi söögiriistu:

- Suletud klaaspurgid ja pudelid
- Klaaspudelid väikese avaga
- Suletud purgid ja konteinerid
- Üldotstarbelised termomeetrid
- Hõbedane foolium
- Ringlussevõetud paber
- Kuld- või hõbedaga kaunistatud taldrikud
- Mis tahes metalli sisaldavad konteinerid

- 1 Kui soovite mikrolaineahju ilma toiduta testida, kasutage klaasi vett.

Kiire töö

- 1 Protsessi käigus vajutage pausinuppu, et protsess peatada. Vajutage pausinuppu kaks korda, et protsess tühistada.

1. Aseta toit pöördaluse keskele.
2. Sulge uks.

3. Vajuta kiirklahvi **A**ⓓ. Protsess algab kohe täisvõimsusel ja kestab 1 minuti.
4. Vajaduse korral vajutage korduvalt kiirklahvi, et ajastit reguleerida.
5. Kui protsess on lõppenud, kostab toode 3 piiksu ja ekraanile ilmub sõna **END**.

Käitsi juhtimine

1. Aseta toit pöördaluse keskele.
2. Sulge uks.
3. Vajutage Micro/Power nuppu **A**ⓔ korduvalt, et valida soovitud mikrolaineahju võimsus. Ekraanil kuvatakse mikrolaineahju võimsus protsentides. Allolevas tabelis on näidatud vastavad võimsused.
- 1 Lisaks mikrolaineahju võimsusele on saadaval ka programmid _G, C1 ja C2. Lisateavet leiata peatükkidest Grillifunktsiooni kasutamine ja Kombineeritud programmide kasutamine.

100	800 W
80	640 W
60	480 W
40	320 W
20	160 W

- 1 Mikrolaineahju võimsustasemed on näidatud protsentides maksimaalsest võimsusest. Vastavad võimsusväärtused on ligikaudsed ega ole kindlaks määratud.
4. Pöörake nuppu, et valida soovitud küpsetusaeg.
- 1 Soovi korral korrake samme 3 ja 4, et programmeerida mitu etappi. Programmeerida saab kuni 4 etappi. Protsessi käigus, kui etapi taimer on lõppenud, jätkab toode automaatselt järgmise etapiga.
5. Vajutage kiirnuppu, et protsess käivitada. Ekraanil kuvatakse järelejäänud aeg.
- 1 Protsessi käigus mikrolaineahju võimsuse kuvamiseks vajutage Micro/Power nuppu.
6. Kui protsess on lõppenud, kostab toode 3 piiksu ja ekraanile ilmub sõna **END**.

Grillifunktsiooni kasutamine

- 1 Kasutage grillifunktsiooni liha grillimiseks või röstsaja ja gratiinide valmistamiseks.
1. Aseta grillrest klaasist pöördlauale.
2. Aseta toit grillirestle keskele.
3. Sulge uks.
4. Vajutage Micro/Power nuppu korduvalt, kuni ekraanile ilmub **_G**.
5. Pöörake nuppu, et valida soovitud küpsetusaeg.
6. Vajutage kiirnuppu, et protsess käivitada. Ekraanil kuvatakse järelejäänud aeg.

Kombineeritud programmide kasutamine

- 1 Kombineeritud programmid kasutavad samaaegselt mikrolaineahju ja grillifunktsiooni.
1. Aseta toit pöördaluse keskele.
2. Sulge uks.

3. Vajutage Micro/Power nuppu korduvalt, kuni ekraanile ilmub **C1** või **C2**.

Kuvamine	Funktsioon	Nõud
C1	30% mikrolaineahi, 70% grill	Kala, kartulid või gratiinid
C2	55% mikrolaineahi, 45% grill	Omlett, küpsetatud kartulid või linnuliha

Sulatamine

- 1** Kasutage seda funktsiooni liha ja mereandide sulatamiseks.
- Kaaluge toidu kogus ja pidage meeles selle kaal.
 - Aseta toit pöördaluse keskele.
 - Sulge uks.
 - Vajutage eelseadistatud nuppu, et valida allolevas tabelis näidatud õige sulatamise seade.

Kood	Toidu liik	Intervall
D1	Liha	0,1 - 2 kg
D2	Kodulinnud	0,2 - 3 kg
D3	Mereannid	0,1 - 0,9 kg

- Keerake nuppu, et määrata toidu kaal kilogrammides. Näiteks 600 grammi toidu sulatamiseks keerake nupp asendisse „**0,6**“.
- Vajutage kiirnuppu, et protsess käivitada. Kui toode protsessi käigus piiksub:
- Ava uks. Protsess peatub.
- Pöörake toit ümber või väiksemate toidutükkide puhul raputage või segage neid.
- Sulge uks.
- Vajutage kiirnuppu, et protsessi jätkata.
- Kui protsess on lõppenud, kostab toode 3 piiksu ja ekraanile ilmub sõna **END**.

Eelseadete kasutamine

- Kaaluge toidu kogus ja pidage meeles selle kaal.
- Aseta toit pöördaluse keskele.
- Sulge uks.
- Pöörake nuppu ühe astme võrra vastupäeva, et siseneda eelseadistatud režiimi.
- Pöörake nuppu, et valida soovitud eelseadistusele vastav number. Kõik eelseadistused on toodud allpool olevas tabelis.
- Vajutage valikuketast, et valida eelseadistus.
- Keerake nuppu, et määrata toidu kaal kilogrammides. Näiteks 600 grammi toidu sulatamiseks keerake nupp asendisse „**0,6**“.
- Vajutage kiirnuppu, et protsess käivitada.
- Kui protsess on lõppenud, kostab toode 3 piiksu ja ekraanile ilmub sõna **END**.

Kood	Toidu liik	Seaded
A1	Popkorn	85 - 100 gr
A2	Kartulid	0,45 - 0,65 kg

A3	Köögiviljad	0,1 - 0,5 kg
A4	Liha*	0,2 - 0,7 kg
A5	Kala*	0,2 - 0,7 kg
A6	Kodulinnud*	0,2 - 0,7 kg
A7	Lasagne	0,2 - 1 kg
A8	Piim/kohv	0,25 - 0,5 kg
A9	Riis	0,1 - 0,5 kg
A10	Spagetid**	0,1 - 0,5 kg
A11	Leib	0,1 - 0,5 kg
A12	Pitsa	1–2 eset

* tuleb ümber pöörata või segada, kui toode piiksub

** enne keetmist tuleb lisada keev vesi

Viiteajastuse seadistamine

- 1** Viiteajastit ei saa kasutada ekspress- ja programmeeritud protsesside puhul.

Valige soovitud programm. Enne protsessi alustamist:

- Hoidke eelseadistuse nuppu 3 sekundit all. Tunni numbrid vilguvad.
- 1** (Viiteajastuse funktsioonis seadistate aja, millal küpsetamine peaks algama. Ajastuse töötamiseks peab kell olema õigesti seadistatud (vt peatükk „Aja seadistamine“).
- Keerake numbriket, et määrata tund.
- Vajutage nuppu Preset. Minutite numbrid hakkavad vilkuma.
- Keerake numbriket, et määrata minutid.
- Vajutage nuppu Preset, et viivitustimeri seadistamine lõpetada. Kostab piiks ja ekraan vilgub.
- 1** Protsess algab, kui seatud aeg on käes.
- Sätetatud aja kontrollimiseks vajutage eelseadistuse nuppu.
- Taimerit saate tühistada, vajutades pausinuppu.

Lapse lukustuse aktiveerimine

- Hoidke pausinuppu all **A10** 3 sekundit. Kostab piiks, ekraanil kuvatakse **OFF** ja lukusümbol.
- Lapse lukustuse deaktiveerimiseks hoidke pausinuppu 3 sekundit all.

Garantii

See toode on mõeldud koduseks kasutamiseks. Mis tahes muudatused ja/või modifikatsioonid tootes muudavad garantii kehtetuks. Me ei saa võtta vastutust toote ebaõigest kasutamisest põhjustatud kahjustuste eest. Tavapärase kulumine on garantiist välja jäetud.

Vastutusnõue

Tulenevalt meie toodete pidevast funktsionaalsest ja disainilisest arengust, jätame endale õiguse teha tootemuudatusi ilma ette teatamata. Kõik logod, kaubamärgid ja tootenimed on nende vastavate omanike kaubamärgid või registreeritud kaubamärgid ja neid tunnustatakse käesolevaga.

Kõrvaldamine



See toode on ette nähtud eraldi kogumiseks asjakohases kogumispunktis. Ärge visake toodet koos olmejäätmetega. Lisateabe saamiseks pöörduge jaemüüja või jäätmekäitluse eest vastutava kohaliku omavalitsuse poole.

EL vastavusdeklaratsioon

Kinnitame, et see toode vastab asjakohastele EL õigusaktidele. EL vastavusdeklaratsioon on saadaval meie veebilehel või seda saab taotleda.

LV Ätrās palaišanas ceļvedis

Kombinētā mikroviļņu krāsns

16330128 16330130
16330129 16330131



Lai uzzinātu vairāk informācijas, noskenējiet QR kodu priekšējā lapā, lai skatītu paplašināto rokasgrāmātu.

Par šo dokumentu

Paldies, ka iegādājāties Melissa Kombinētā mikroviļņu krāsns.

Šis dokuments ir lietotāja rokasgrāmata, un tajā ir iekļauta visa informācija pareizai, efektīvai un drošai produkta lietošanai.

Pirms produkta uzstādīšanas vai lietošanas pārliecinieties, ka esat pilnībā izlasījis un sapratis šajā dokumentā sniegtos norādījumus. Saglabājiet iepakojumu un šo dokumentu turpmākai lietošanai.

Izmantotie simboli

▲ BRĪ-DINĀJUMS	Signālvārds, ko lieto, lai norādītu uz potenciāli bīstamu situāciju, kas var izraisīt nāvi vai nopietnus ievainojumus, ja no tās netiek novērsta.
▲ UZMANĪBU	Signālvārds, ko lieto, lai norādītu uz potenciāli bīstamu situāciju, kas, ja no tās neizvairās, var radīt vieglus vai vidēji smagus ievainojumus.
PIEZĪME	Signālvārds, ko izmanto, lai aprakstītu darbības, kas nav saistītas ar fizisku ievainojumu.

Paredzētais lietojums

Šis produkts ir brīvi stāvoša mikroviļņu krāsns.

Produkts ir paredzēts pārtikas un dzērienu sildīšanai.

Pārtikas vai apģērba žāvēšana un sildīšanas spilventiņu, čību, sūkļu, mitru drānu un tamlīdzīgu priekšmetu sildīšana var izraisīt traumu, aizdegšanās vai ugunsgrēka risku.

Šis izstrādājums ir paredzēts lietošanai tikai telpās.

Šo izstrādājumu var lietot bērni vecumā no 8 gadiem un vecāki, kā arī personas ar ierobežotām fiziskajām, maņu vai garīgajām spējām vai pieredzes un zināšanu trūkumu, ja viņi ir uzraudzīti vai instruēti par izstrādājuma lietošanu drošā

veidā un saprot ar to saistītos apdraudējumus. Bērni nedrīkst spēlēties ar izstrādājumu. Bērni bez uzraudzības nedrīkst veikt tīrīšanu un lietotāja apkopi.

Neļaujiet personām ar samazinātām fiziskām, sensorām vai garīgām spējām vai pieredzes un zināšanu trūkumu par to, kā rīkoties, lietot produktu.

Šis produkts ir paredzēts lietošanai mājāsaimniecībā un līdzīgās vietās, piemēram:

- darbinieku virtuves telpas veikalos, birojos un citās darba vietās;
- lauku mājās;
- klientiem viesnīcās, motelos un citās dzīvojamās vidēs;
- naktsmītnes ar brokastīm.

Produkts nav paredzēts profesionālai lietošanai.

Jebkādas izmaiņas produktā var ietekmēt drošību, garantiju un pareizu darbību.

Galvenās detaļas (attēls A)

- | | |
|---------------------------|----------------------------|
| 1 Durvis | 7 Displejs |
| 2 Grila restes | 8 Zvanīt |
| 3 Stikla griežamais disks | 9 Micro/Power poga |
| 4 Griežamais gredzens | 10 Pauzes poga |
| 5 Vārpsta | 11 Tūlītējās darbības poga |
| 6 Barošanas kabelis | 12 Iepriekš iestatīta poga |

Drošības instrukcijas

Pirms produkta uzstādīšanas vai lietošanas pārliecinieties, ka esat pilnībā izlasījis un sapratis šajā dokumentā sniegtos norādījumus. Saglabājiet iepakojumu un šo dokumentu turpmākai lietošanai.

Izmantojiet izstrādājumu tikai tā, kā aprakstīts šajā dokumentā.

▲ BRĪDINĀJUMS

Elektriskās strāvas triecienu risks. Atverot produktu, var atklāties strāvas vadītas detaļas.

- Nenodaliel produktu; tajā nav lietotājam apkopojamu detaļu.
- Šī izstrādājuma apkopi drīkst veikt tikai kvalificēts tehniķis.
- Pirms apkopes un detaļu nomainīšanas atvienojiet produktu no strāvas avota.

Elektriskās strāvas triecienu risks. Saskare ar ūdeni var pakļaut lietotāju strāvas vadītojam detaļām.

- Neiegremdējiet izstrādājumu ūdenī vai citos šķidrumos.
- Pirms tīrīšanas atvienojiet izstrādājumu no strāvas avota.
- Nelieciet produktu trauku mazgājamā mašīnā.

Elektriskās strāvas triecienu risks. Ja barošanas kabelis ir bojāts, elektriskā ķēde var būt atklāta.

- Izmantojiet tikai komplektā iekļauto barošanas kabeli.
- Pārliecinieties, ka kabelis ir pilnībā izvilkts.
- Kabelis nedrīkst būt savīts vai apvīts ap produktu.
- Neizvelciet produktu no rozetes, velkot par vadu.
- Vienmēr satveriet spraudni un velciet.
- Nelaidiet strāvas kabeli karāties pār galda vai letes malu, kā arī nepieskarieties karstām virsmām.
- Vienmēr turiet strāvas kabeli un izstrādājumu tālāk no

parastiem gājēju celiņiem.

Dzirkstēju vai ugunsgrēka risks. Daži materiāli var

aizdegties, ja tiek pakļauti mikroviļņu starojumam.

- Nelietojiet grila resti mikroviļņu krāsnī vai kombinētajos gatavošanas režīmos. Grila resti jānovieto uz stikla rotējošā galda un jāizmanto tikai grila gatavošanai.
- Izmantojiet tikai mikroviļņu krāsnīm piemērotus traukus.
- Mikroviļņu krāsnī nedrīkst lietot metāla traukus pārtikas un dzērienu sildīšanai.
- Izmantojiet tikai šai krāsnij ieteikto temperatūras zondi (ierīcēm, kurās ir iespējams izmantot temperatūras zondi).
- Sildot pārtiku plastmasas vai papīra traukus, uzmaniet cepeškrāsnī, jo pastāv aizdegšanās risks.

Ugunsgrēka risks issavienojuma dēļ. Bojātās detaļas var pārkarst un aizdegties.

- Nelietojiet produktu, ja kāda tā daļa ir bojāta vai defektīva; nekavējoties to nomainiet.
- Ja barošanas kabelis ir bojāts, tas jāaizstāj ar speciālu kabeli vai komplektu, ko var iegādāties no ražotāja vai tā servisa pārstāvja.

Ugunsgrēka risks pārkaršanas dēļ. Ja produkts nevar atbrīvoties no siltuma, tas var pārkarst un aizdegties.

- Neaizsprostojiet ventilācijas atveres.
- Neizņemiet kājiņas no izstrādājuma.
- Vienmēr nodrošiniet pietiekamu telpu ap produktu.
- Ja produkts atrodas skapī, lietojiet to tikai ar atvērtām skapja durvīm.

Ugunsgrēka risks pārkaršanas dēļ. Ja izstrādājumu lieto bez satura, tas pats absorbē starojumu. Nekad neieslēdziet izstrādājumu, ja tas ir tukšs.

Traumu risks. Produkts nav paredzēts lietošanai bērniem, kas jaunāki par 8 gadiem.

- Lietojot ierīci, pastāvīgi uzraugiet to.
- Kad ierīce ir lietošanā, uzmaniet bērnus, kas atrodas tās tuvumā.
- Nekad neļaujiet bērniem vai mājdzīvniekiem spēlēties ar šo produktu.

Notietnu traumu un apdegumu risks. Karstas virsmas un darbība bez uzraudzības var izraisīt apdegumus vai traumas.

- Kad produkts netiek lietots, atvienojiet to no strāvas avota.
- Nekad neatstājiet produktu bez uzraudzības, ja tuvumā ir bērni un neaizsargātas personas.
- Nelietojiet šo produktu, izmantojot ārēju taimeru vai atsevišķu tālvadības sistēmu.

Apdeguma risks. Neļaujiet bērniem spēlēties ar iepakojuma materiālu. Vienmēr glabājiet iepakojuma materiālu bērniem nepieejamā vietā.

Mikroviļņu starojuma iedarbības risks. Produkta bojājumi var izraisīt mikroviļņu starojuma noplūdi:

- Jebkurai personai, kas nav kompetenta, ir bīstami veikt jebkādas apkopes vai remonta darbības, kas saistītas ar tāda vāka noņemšanu, kas nodrošina aizsardzību pret mikroviļņu enerģijas iedarbību.
- Ja durvis ir bojātas, no izstrādājuma var izkļūt starojums. Ja durvis, durvju blīvējumi vai aizslēgšanas sistēma ir

bojāta, pārtrauciet izstrādājuma lietošanu un uzticiet tā remontu kompetentai personai.

Toksisku izgarojumu vai ugunsgrēka risks. Tīrīšanas līdzekļu atliekas var izdalīt kaitīgus izgarojumus vai izraisīt dzirkstēles. Pēc tīrīšanas vienmēr noslaukiet visus tīrīšanas līdzekļus.

⚠ UZMANĪBU

Apdeguma risks. Lietošanas laikā **produkts**, izmantotie pārtikas produkti un priekšmeti var kļūt karsti.

- Lietošanas laikā nepieskarieties šī izstrādājuma virsmai.
- Šķidrums un citus pārtikas produktus nedrīkst sildīt slēgtos traukos, jo tie var eksplodēt.
- Lai izvairītos no apdegumiem, vienmēr sakratiet vai sakūpiniet barošanas pudelišu un bērnu pārtikas burciņu saturu un pirms lietošanas pārbaudiet tā temperatūru.
- Olas čaumalās un veselas cietas vāriņas olas nedrīkst sildīt mikroviļņu krāsnīs, jo tās var eksplodēt pat pēc mikroviļņu sildīšanas beigām.
- Produkta eļļu vai tauku uzkaršēšana aizņem ilgu laiku, un trauks kļūst ļoti karsts. Nekad neizmantojiet produktu eļļu un tauku uzkaršēšanai.

PIEZĪME

Durvju bojājuma risks. Durvīm ir drošības mehānisms, kas tās tur aizvērtas, kad produkts ir lietošanā. Nekad neizmantojiet pārmērīgu spēku, atverot durvis. Vienmēr pagaidiet, līdz durvis atslēdzas.

Risks, ka var rasties bojājumi, ja tiek pakļauts ūdens iedarbībai. Mitrums var bojāt iekšējās elektriskās detaļas.

- Nepakļaujiet izstrādājumu ūdens, lietus, mitruma vai augsta mitruma iedarbībai.
- Nekādā gadījumā neizmantojiet tvaika tīrītāju.

Bojājumu risks. Produkts nav aizsargāts pret spēcīgiem triecieniem. Neatļaidiet produktu un izvairieties no triecieniem.

Risks bojāt virsmu. Tīrīšanas līdzekļi var bojāt apdari. Tīrot izstrādājumu, nelietojiet agresīvus ķīmiskos tīrīšanas līdzekļus.

Nehigiēniska produkta risks. Produkta lietošana bez stikla rotējošā galda un piemērota trauka var izraisīt netīrumu uzkrāšanos un pat baktēriju vairošanos. Vienmēr lietojiet produktu ar uzstādītu rotējošo galdu. Vienmēr sildiet pārtiku mikroviļņu krāsnī piemērotā šķīvī vai traukā.

Simbolu skaidrojums uz produkta vai iepakojuma llokna apraksts



Norāde uz karstu virsmu. Saskare var izraisīt apdegumus. Nepieskarties.

Pārbaudiet iepakojuma saturu

Pārbaudiet, vai visas detaļas ir klāt un vai uz tām nav redzami bojājumi. Ja detaļas trūkst vai ir bojātas, sazinieties ar servisa dienestu, izmantojot: support.melissa-online.com

Produkta instalēšana

1. Pirms lietošanas noņemiet visu iepakojumu no produkta iekšpuses un ārpusēs.
2. Novietojiet produktu vertikāli uz līdzenas un stabilas virsmas, kas spēj izturēt produkta svaru (aptuveni 12,5 kg).
- 1 Lai nodrošinātu pietiekamu ventilāciju un izvairītos no pārkaršanas, aizmugurē jābūt vismaz 10 cm, sānos – 5 cm un augšā – 20 cm atstarpei. Ja ierīce ir uzstādīta skapi, lietošanas laikā skapja durvis jātur atvērtas.
3. Pārbaudiet, vai stikla griežamais disks **A6** ir pareizi uzstādīts uz diska gredzena **A4** un vārpstas **A5**. Stikla griezamā galda apakšā esošā rieva jāizlīdzina ar trim riteņiem.
4. Pievienojiet strāvas kabeli **A6** strāvas kontaktligzdā. Displejs **A7** mirgo trīs reizes.

Laika iestatīšana

1. Nospiediet un turiet nospiestu pogu Preset **A7** 3 sekundes. Stundu cipari mirgo.
2. Pagrieziet pogu **A6**, lai iestatītu stundas.
3. Nospiediet pogu Preset. Minūšu cipari mirgo.
4. Pagrieziet ciparnīcu, lai iestatītu minūtes.
5. Nospiediet pogu Preset, lai pabeigtu laika iestatīšanu.

Produkta lietošana

Mēs iesakām izmantot stikla, keramikas vai mikroviļņu krāsni lietojamus plastmasas traukus un piederumus. Nekad neizmantojiet šādus piederumus:

- Aizvērtas stikla burkas un pudeles
 - Stikla pudeles ar mazām atverēm
 - Aizvērtas bundžas un konteineri
 - Vispārīgas lietošanas termometri
 - Sudraba folija
 - Pārstrādāts papīrs
 - Plāksnes ar zelta vai sudraba rotājumiem
 - Konteineri, kas satur jebkādu metālu
- 1 Ja vēlaties pārbaudīt mikroviļņu krāsni bez pārtikas, izmantojiet glāzi ūdens.

Ātra darbība

- 1 Procesā laikā nospiediet pauzes pogu, lai apturētu procesu. Divreiz nospiediet pauzes pogu, lai atceltu procesu.
1. Novietojiet pārtiku uz rotējošā galda vidū.
 2. Aizveriet durvis.
 3. Nospiediet tūlītējās darbības pogu **A10**. Process sākas nekavējoties ar pilnu jaudu uz 1 minūti.
 4. Pēc izvēles atkārtoti nospiediet tūlītējās darbības pogu, lai noregulētu taimeris.
 5. Kad process ir pabeigts, produkts izdod 3 signālus un displejā parādās **END**.

Manuālā darbība

1. Novietojiet pārtiku uz rotējošā galda vidū.
2. Aizveriet durvis.
3. Nospiediet Micro/Power pogu **A9**, lai izvēlētos vēlamo

mikroviļņu jaudu. Displejā tiek parādīta mikroviļņu jauda procentos. Tabulā zemāk ir norādīta atbilstošā jauda vatos.

- 1 Papildus mikroviļņu jaudai ir pieejamas arī programmas **_G**, **C1** un **C2**. Sīkāku informāciju skatiet nodaļās Grila funkcijas izmantošana un Kombinēto programmu izmantošana.

100	800 W
80	640 W
60	480 W
40	320 W
20	160 W

- 1 Mikroviļņu jaudas līmeņi tiek parādīti kā procentuālais daudzums no maksimālās jaudas. Atbilstošie vatu skaitļi ir orientējoši un nav fiksēti.
4. Pagrieziet pogu, lai izvēlētos vēlamo gatavošanas laiku.
 - 1 Ja vēlaties, atkārtojiet 3. un 4. soli, lai programmētu vairākus posmus. Var programmēt līdz 4 posmiem. Procesā, kad posma taimeris ir beidzies, produkts automātiski turpina nākamo posmu.
 5. Nospiediet tūlītējās darbības pogu, lai sāktu procesu. Displejā tiek parādīts atlikušais laiks.
 - 1 Lai procesa laikā parādītu mikroviļņu jaudu, nospiediet Micro/Power pogu.
 6. Kad process ir pabeigts, produkts izdod 3 signālus un displejā parādās **END**.

Grila funkcijas izmantošana

- 1 Izmantojiet grila funkciju gaļas cepšanai, grauzdētu sviestmaiži un gratīnu pagatavošanai.
1. Novietojiet grila resti uz stikla pagriežamā galda.
 2. Novietojiet pārtiku uz grila restes vidusdaļas.
 3. Aizveriet durvis.
 4. Vairākas reizes nospiediet Micro/Power pogu, līdz displejā parādās **_G**.
 5. Pagrieziet pogu, lai izvēlētos vēlamo gatavošanas laiku.
 6. Nospiediet tūlītējās darbības pogu, lai sāktu procesu. Displejā tiek parādīts atlikušais laiks.

Kombinēto programmu izmantošana

- 1 Kombinētās programmas vienlaikus izmanto mikroviļņu funkciju un grila funkciju.
1. Novietojiet pārtiku uz rotējošā galda vidū.
 2. Aizveriet durvis.
 3. Vairākas reizes nospiediet Micro/Power pogu, līdz displejā parādās **C1** vai **C2**.

Displejs	Funkcija	Trauki
C1	30 % mikroviļņu krāsns, 70 % grils	Zīvis, kartupeļi vai gratēti ēdieni
C2	55 % mikroviļņu krāsns, 45 % grils	Omlete, cepti kartupeļi vai mājputni

Atkausēšana

- 1 Izmantojiet šo funkciju, lai atkausētu gaļu un jūras velmes.

1. Nosveriet pārtikas daudzumu un atcerieties tā svaru.
2. Novietojiet pārtiku uz rotējošā galda vidū.
3. Aizveriet durvis.
4. Nospiediet iepriekš iestatīto pogu, lai izvēlētos pareizo atkausēšanas iestatījumu, kas norādīts tabulā zemāk.

Kods	Pārtikas veids	Intervāls
D1	Gaļa	0,1 - 2 kg
D2	Mājputni	0,2 - 3 kg
D3	Jūras velte	0,1 - 0,9 kg

5. Pagrieziet pogu, lai iestatītu pārtikas svaru kilogramos. Piemēram, lai atkausētu 600 gramus pārtikas, iestatiet pogu uz „**0,6**”.
6. Nospiediet tūlītējās darbības pogu, lai sāktu procesu. Ja procesa laikā produkts izdod skaņas signālu:
7. Atveriet durvis. Process tiek apturēts.
8. Apgrīziet pārtiku otrādi vai, ja pārtikas gabaliņi ir mazāki, sakratiet vai samaisiet tos.
9. Aizveriet durvis.
10. Nospiediet tūlītējās darbības pogu, lai turpinātu procesu.
11. Kad process ir pabeigts, produkts izdod 3 signālus un displejā parādās **END**.

Iepriekš iestatījumu izmantošana

1. Nosveriet pārtikas daudzumu un atcerieties tā svaru.
2. Novietojiet pārtiku uz rotējošā galda vidū.
3. Aizveriet durvis.
4. Pagrieziet pogu vienu pozīciju pretēji pulksteņa rādītāja virzienam, lai ieiētu iepriekš iestatītā režīmā.
5. Pagrieziet pogu, lai izvēlētos numuru, kas atbilst vēlamajai iestatītajai vērtībai. Visas iestatītās vērtības skatiet tabulā zemāk.
6. Nospiediet pogu, lai izvēlētos iepriekš iestatīto.
7. Pagrieziet pogu, lai iestatītu pārtikas svaru kilogramos. Piemēram, lai atkausētu 600 gramus pārtikas, iestatiet pogu uz „**0,6**”.
8. Nospiediet tūlītējās darbības pogu, lai sāktu procesu.
9. Kad process ir pabeigts, produkts izdod 3 signālus un displejā parādās **END**.

Kods	Pārtikas veids	Iestatījumi
A1	Popkorns	85 - 100 gr
A2	Kartupeļi	0,45 - 0,65 kg
A3	Dārzeni	0,1 - 0,5 kg
A4	Gaļa*	0,2 - 0,7 kg
A5	Zivis*	0,2 - 0,7 kg
A6	Mājputni*	0,2 - 0,7 kg
A7	Lazagne	0,2 - 1 kg
A8	Piens/kafija	0,25 - 0,5 kg
A9	Risi	0,1 - 0,5 kg
A10	Spageti**	0,1 - 0,5 kg
A11	Maize	0,1 - 0,5 kg
A12	Pica	1 - 2 vienības

* jāapgriež vai jāmaisī, kad produkts sāk piestiprināt

** pirms gatavošanas jāpievieno verdošs ūdens

Aizkaves taimera iestatīšana

- i** Aizkaves taimeris nevar tikt izmantots ar ekspresu un programmiem procesiem.

Iestatiet vēlamo programmu. Pirms procesa sākšanas:

1. Nospiediet un turiet nospiešanu pogu Preset 3 sekundes. Stundu cipari mirgo.
- i** (Aizkaves taimera funkcijā Jūs iestatāt laiku, kad sākties gatavošanas process. Lai taimeris darbotos, pulkstenis ir jāiestata pareizi (skatīt nodaļu Laika iestatīšana).
2. Pagrieziet ciparnīcu, lai iestatītu stundu.
3. Nospiediet pogu Preset. Minūšu cipari sāk mirgot.
4. Pagrieziet ciparnīcu, lai iestatītu minūtes.
5. Nospiediet pogu Preset, lai pabeigtu aizkaves taimera iestatīšanu. Skan signāls un displejs mirgo.
- i** Process sākas, kad ir sasniegts iestatītais laiks.
6. Lai pārbaudītu iestatīto laiku, nospiediet iepriekš iestatīto pogu.
7. Lai atceltu taimeri, nospiediet pauzes pogu.

Bērnu bloķēšanas aktivizēšana

1. Nospiediet un turiet nospiešanu pauzes pogu **A10** 3 sekundes. Skan signāls, displejā parādās **OFF** un atslēgas simbols.
2. Lai atslēgtu bērnu bloķēšanu, nospiediet un turiet pauzes pogu 3 sekundes.

Garantija

Šis izstrādājums ir paredzēts lietošanai mājās apstākļos. Jebkādas izmaiņas un/vai modifikācijas izstrādājumā padara garantiju spēkā neesošu. Mēs nevaram uzņemties nekādu atbildību par bojājumiem, kas radušies nepareizas izstrādājuma lietošanas rezultātā. Garantija neattiecas uz parastu nolietojumu.

Atruna

Sakarā ar mūsu izstrādājumu pastāvīgu funkciju un dizaina attīstību mēs paturam tiesības veikt izmaiņas izstrādājumā bez iepriekšēja brīdinājuma. Visi logotipi, zīmoli un produktu nosaukumi ir attiecīgo īpašnieku preču zīmes vai reģistrētas preču zīmes, un ar šo tie tiek atzīti par tādiem.

Utilizācija



Šis produkts ir paredzēts atsevišķai savākšanai atbilstošā savākšanas punktā. Neizmetiet produktu kopā ar sadzīves atkritumiem. Lai iegūtu sīkāku informāciju,azinieties ar mazumtirgotāju vai vietējo iestādi, kas atbildīga par atkritumu apsaimniekošanu.

ES atbilstības deklarācija

Mēs apliecinām, ka šis produkts atbilst attiecīgajiem ES tiesību aktiem. ES atbilstības deklarācija ir pieejama mūsu tīmekļa vietnē vai pēc pieprasījuma.

Kombinuota mikrobangų krosnelė

16330128 16330130
16330129 16330131



Jei norite gauti daugiau informacijos, nuskaitykite tituliname puslapyje esantį QR kodą ir peržiūrėkite išplėstinį vadovą.

Apie šį dokumentą

Dėkojame už įsigytą Melissa Kombinuota mikrobangų krosnelė.

Šis dokumentas yra naudotojo vadovas, kuriame pateikiama visa informacija, reikalinga teisingam, veiksmingam ir saugiam gaminio naudojimui.

Prieš montuodami arba naudodami gaminį įsitikinkite, kad visiškai perskaitėte ir supratote šiam dokumente pateiktas instrukcijas. Saugokite pakuotę ir šį dokumentą, kad galėtumėte su juo susipažinti ateityje.

Naudojami simboliai

⚠️ ĮSPĖJIMAS	Signalinis žodis, naudojamas potencialiai pavojingai situacijai, kuri, jei jos nebus išvengta, gali baigtis mirtimi arba rimtu sužalojimu, nurodyti.
⚠️ DĖMESIO	Signalinis žodis, naudojamas potencialiai pavojingai situacijai, kuri, jei jos nebus išvengta, gali sukelti lengvą ar vidutinio sunkumo sužalojimą, nurodyti.
PASTABA	Signalinis žodis, naudojamas kalbant apie veiksmus, nesusijusius su fiziniu sužalojimu.

Naudojimo paskirtis

Šis produktas yra atskirai stovinti mikrobangų krosnelė. Produktas skirtas maistui ir gėrimams šildyti. Maisto ar drabužių džiovinimas ir šildomųjų pagalvėlių, šlepečių, kempinių, drėgnų skudurėlių ir panašių daiktų šildymas gali sukelti sužalojimą, užsidegimo ar gaisro pavojų.

Šis gaminys skirtas naudoti tik patalpose.

Šį gaminį gali naudoti vaikai nuo 8 metų ir vyresni bei asmenys, kurių fizinės, jutiminės ar protinės galimybės yra ribotos arba kuriems trūksta patirties ir žinių, jei jie buvo prižiūrimi arba instruktuojami, kaip saugiai naudoti gaminį, ir supranta su tuo susijusius pavojus. Vaikai negali žaisti su gaminiu. Vaikai be priežiūros neturi atlikti valymo ir naudotojo priežiūros darbų.

Neleiskite naudoti produkto asmenims, turintiems ribotas fizines, jutimines ar protines galimybes arba neturintiems patirties ir žinių apie jo naudojimą.

Šis produktas skirtas naudoti buitėje ir panašiuose taikymuose, pavyzdžiui:

- darbuotojų virtuvės patalpos parduotuvėse, biuruose ir kitose darbo vietose;
- ūkininkų namai;
- klientų viešbučiuose, moteliuose ir kitose

gyvenamosios paskirties patalpose;

- nakvynės ir pusryčių tipo aplinka.

Produktas nėra skirtas profesionaliam naudojimui.

Bet koks produkto modifikavimas gali turėti įtakos saugumui, garantijai ir tinkamam veikimui.

Pagrindinės dalys (nuotrauka A)

- | | |
|-----------------------|-----------------------------------|
| 1 Duryš | 8 Skambinti |
| 2 Grilio grotelės | 9 Micro/Power mygtukas |
| 3 Stiklinis patefonas | 10 Pauzės mygtukas |
| 4 Patefonas žiedas | 11 Momentinis mygtukas |
| 5 Velenas | 12 Išankstinio nustatymo mygtukas |
| 6 Maitinimo kabelis | |
| 7 Ekranas | |

Saugos instrukcijos

Prieš montuodami arba naudodami gaminį įsitikinkite, kad visiškai perskaitėte ir supratote šiam dokumente pateiktas instrukcijas. Saugokite pakuotę ir šį dokumentą, kad galėtumėte su juo susipažinti ateityje.

Gaminį naudokite tik taip, kaip aprašyta šiame dokumente.

⚠️ ĮSPĖJIMAS

Elektros smūgio pavojus. Atidarius produktą, gali atsirasti kontaktas su įtampą turinčiomis dalimis.

- Negalima išardyti produkto; viduje nėra dalių, kurias galėtų remontuoti vartotojas.
- Šio gaminio techninę priežiūrą gali atlikti tik kvalifikuotas specialistas.
- Prieš atliekant techninę priežiūrą ir keičiant dalis, atjunkite produktą nuo maitinimo šaltinio.

Elektros smūgio pavojus. Susilietus su vandeniu, vartotojas gali liestis su elektros srovę laidžiais elementais.

- Nemerkite gaminio į vandenį ar kitus skysčius.
- Prieš valydami atjunkite gaminį nuo maitinimo šaltinio.
- Negalima dėti produkto į indaplovę.

Elektros smūgio pavojus. Kai maitinimo kabelis yra pažeistas, elektros grandinė gali būti atidengta.

- Naudokite tik pateiktą maitinimo kabelį.
- Įsitikinkite, kad kabelis yra visiškai ištemptas.
- Kabelis neturi būti susuktas ar apvyniotas aplink produktą.
- Neatjunkite gaminio traukdami už kabelio. Visada suminkite kištuką ir traukite.
- Neleiskite, kad maitinimo kabelis kabotų ant stalo ar stalviršio krašto ir nelietų karštų paviršių.
- Maitinimo kabelį ir gaminį visada laikykite atokiau nuo įprastų pėsčiųjų takų.

Ugnis ar kibirkštys. Kai kurios medžiagos, veikiant mikrobangų spinduliotei, gali užsidegti.

- Nenaudokite grotelių mikrobangų krosnelėje arba kombinuotame virimo režime. Groteles reikia padėti ant stiklinio sukamojo stalo ir naudoti tik kepimui ant grotelių.
- Naudokite tik mikrobangų krosnelėms tinkamus indus.
- Mikrobangų krosnelėje negalima naudoti metalinių maisto ir gėrimų indų.

- Naudokite tik šiai orkaitėms rekomenduojamą temperatūros jutiklį (prietaisams, turintiems galimybę naudoti temperatūros jutiklį).
- Kai maistą šildote plastikinėse ar popierinėse talpyklose, stebėkite orkaitę, nes yra užsidegimo pavojus.

Gaisro pavojus dėl trumpojo jungimo. Sugadinti

komponentai gali perkaisti ir užsidegti.

- Nenaudokite produkto, jei bet kuri jo dalis yra pažeista ar sugedusi; nedelsdami ją pakeiskite.
- Jei maitinimo kabelis yra pažeistas, jį reikia pakeisti specialiu kabeliu arba komplektu, kurį galima įsigyti iš gamintojo arba jo aptarnavimo atstovo.

Gaisro pavojus dėl perkaitimo. Jei produktas negali atiduoti šilumos, jis gali perkaisti ir užsidegti.

- Neuždenkite ventilacijos angų.
- Nenuimkite kojelių nuo produkto.
- Visada užtikrinkite pakankamai erdvės aplink produktą.
- Kai produktas yra spintoje, naudokite jį tik atidarytomis spintos durelėmis.

Gaisro pavojus dėl perkaitimo. Kai produktas naudojamas be jokio turinio, jis pats sugeria spinduliuotę. Niekada neįjunkite produkto, kai jis tuščias.

Sužalojimo pavojus. Produktas nėra skirtas naudoti vaikams iki 8 metų.

- Naudojant prietaisą, nuolat jį prižiūrėkite.
- Naudojant prietaisą, prižiūrėkite vaikus, esantys jo aplinkoje.
- Niekada neleiskite vaikams ar gyvūnams žaisti su produktu.

Rizika patirti rimtus sužalojimus ir nudegimus. Karštos paviršiai ir neprižiūrimas veikimas gali sukelti nudegimus ar sužalojimus.

- Kai produktas nenaudojamas, atjunkite jį nuo maitinimo šaltinio.
- Niekada nepalikite produkto be priežiūros, kai šalia yra vaikai ir pažeidžiami asmenys.
- Nenaudokite šio produkto su išoriniu laikmačiu ar atskira nuotolinio valdymo sistema.

Pavojus užduoti. Neleiskite vaikams žaisti su pakuotės medžiagomis. Pakuotės medžiagas visada laikykite vaikams nepasiekiamoje vietoje.

Mikrobangų spinduliuotės pavojus. Produkto pažeidimas gali sukelti mikrobangų spinduliuotės nutekėjimą:

- Bet kam kitam, išskyrus kompetentingą asmenį, yra pavojinga atlikti bet kokius aptarnavimo ar remonto darbus, susijusius su dangčio, apsaugančio nuo mikrobangų energijos poveikio, nuėmimu.
- Jei durelės yra pažeistos, iš produkto gali išsiskirti radiacija. Jei durelės, durelių sandarikliai arba užrakto sistema yra pažeisti, nustokite naudoti produktą ir kreipkitės į kompetentingą asmenį, kad jis būtų pataisytas.

Toksinų garų ar gaisro pavojus. Valymo likučiai gali išskirti kenksmingus garus ar sukelti kibirkščių susidarymą. Po valymo visada nuvalykite visus valymo produktus.

⚠ DĖMESIO

Nudegimų pavojus. Naudojant produktą, maisto produktai ir daiktai gali įkaisti.

- Naudojimo metu nelieskite šio produkto paviršiaus.
- Skysčių ir kitų maisto produktų negalima kaitinti uždaruose induose, nes jie gali sprogti.
- Visada maišykite arba pakratykite maitinimo buteliukų ir kūdikių maisto stiklainių turinį ir prieš vartojimą patikrinkite temperatūrą, kad išvengtumėte nudegimų.
- Kiaušiniai su lukštais ir kietai virti kiaušiniai neturėtų būti šildomi mikrobangų krosnelėse, nes jie gali sprogti net ir po to, kai mikrobangų krosnelė išjungta.
- Produkte esančių aliejų ar riebalų kaitinimas trunka ilgai, o indas labai įkaista. Niekada nenaudokite produkto aliejams ir riebalams kaitinti.

PASTABA

Durų pažeidimo pavojus. Durys turi saugos mechanizmą, kuris užrakina duris, kai produktas yra naudojamas.

Atidarydami duris, nenaudokite pernelyg didelės jėgos.

Visada palaukite, kol durys bus atrakintos.

Žalos dėl sąlyčio su vandeniu rizika. Drėgmė gali sugadinti vidines elektros dalis.

- Nelaikykite gaminio vandenyje, lietuje, drėgmėje ar didelėje drėgmėje.
- Nevalykite produkto garų valikliu.

Žalos pavojus. Produktas nėra apsaugotas nuo stiprių smūgių. Neleiskite produktui nukristi ir vengiate smūgių.

Paviršiaus pažeidimo pavojus. Valymo priemonės gali pažeisti apdailą. Valydami gaminį nenaudokite agresyvių cheminių valymo priemonių.

Nehigieniško produkto rizika. Naudojant produktą be stiklinio sukamojo stalo ir tinkamo indo, gali susidaryti nešvarumai ir netgi dauginintis bakterijos. Visada naudokite produktą su įdėta sukamojo stalo. Maistą visada šildykite mikrobangų krosnelėje tinkamame inde arba lėkštėje.

Simbolių ant gaminio ar pakuotės paaiškinimas

Ikona Aprašymas



Įspėjimas apie karštą paviršių. Liečiant galima nudegti. Nelieskite.

Patikrinkite pakuotės turinį

Patikrinkite, ar yra visos dalys ir ar ant jų nėra matomų pažeidimų. Jei trūksta dalių arba jos yra pažeistos, susisiekiite su pagalbos tarnyba adresu: support.melissa-online.com

Produkto diegimas

1. Prieš naudojimą nuimkite visą produkto vidinę ir išorinę pakuotę.
 2. Pastatykite produktą vertikaliai ant lygaus ir stabilaus paviršiaus, galinčio išlaikyti produkto svorį (apie 12,5 kg).
- !** Gale turi būti ne mažiau kaip 10 cm, šonuose – 5 cm, o viršuje – 20 cm tarpas, kad būtų užtikrinta pakankama ventilacija ir išvengta perkaitimo. Įrengus spintoje, naudojimo metu spintos durys turi būti atidarytos.

- Patikrinkite, ar stiklinis patefonas **A6** yra tinkamai uždėtas ant patefono žiedo **A4** ir velenas **A5**. Stiklinio patefono apačioje esanti griovelis turi būti suderintas su trimis ratukais.
- Prijunkite maitinimo kabelį **A6** į maitinimo lizdą. Ekranas **A7** triskart mirksi.

Laiko nustatymas

- Paspauskite ir laikykite nuspaudę mygtuką „Preset“ (Išankstinis nustatymas). **A7** 3 sekundes. Valandos skaitmenys mirksi.
- Pasukite skaičių ratą **A8**, kad nustatytumėte valandas.
- Paspauskite mygtuką „Preset“ (Išankstinis nustatymas). Minutės skaitmenys mirksi.
- Pasukite skaičių ratuką, kad nustatytumėte minutes.
- Paspauskite mygtuką „Preset“ (Išankstinis nustatymas), kad baigtumėte laiko nustatymą.

Produkto naudojimas

Rekomenduojame naudoti stiklinius, keraminius arba mikrobangų krosnelėje naudojamus plastikinius indus ir įrankius. Niekada nenaudokite šių įrankių su produktu:

- Uždromi stikliniai indai ir buteliai
- Stikliniai buteliai su mažais angų skersmenimis
- Uždarytos skardinės ir konteineriai
- Bendrosios paskirties termometrai
- Sidabrinė folija
- Perdirbtas popierius
- Plokštės su aukso arba sidabro dekorais
- Konteineriai, kuriuose yra bet kokio metalo

i Jei norite išbandyti mikrobangų krosnelę be maisto, naudokite stiklinę vandens.

Greitas veikimas

- i** Proceso metu paspauskite pauzės mygtuką, kad sustabdytumėte procesą. Du kartus paspauskite pauzės mygtuką, kad atšauktumėte procesą.
- Maistą padėkite ant sukamojo stalo vidurio.
 - Uždarykite duris.
 - Paspauskite greitojo veikimo mygtuką **A11**. Proceso prasideda iš karto, veikdamas visu pajėgumu 1 minutę.
 - Jei norite, pakartotinai paspauskite momentinį mygtuką, kad nustatytumėte laikmatį.
 - Kai procesas baigtas, prietaisas išleidžia 3 pyptelėjimus, o ekrane pasirodo **užrašas END**.

Rankinis valdymas

- Maistą padėkite ant sukamojo stalo vidurio.
 - Uždarykite duris.
 - Paspauskite Micro/Power mygtuką **A9**, kad pasirinktumėte norimą mikrobangų galingumą. Ekrane rodomas mikrobangų galingumas procentais. Toliau pateiktoje lentelėje nurodyti atitinkami galingumai.
- i** Be mikrobangų galingumo, taip pat galima naudoti programas _G, C1 ir C2. Daugiau informacijos rasite skyriuose „Grilio funkcijos naudojimas“ ir „Kombinuotų programų naudojimas“.

100	800 W
80	640 W
60	480 W
40	320 W
20	160 W

- i** Mikrobangų galingumo lygiai rodomi kaip procentinė maksimalios galios dalis. Atitinkamos galios vertės yra orientacinės ir nėra fiksuotos.
- Pasukite skaičių ratuką, kad pasirinktė norimą virimo laiką.
 - Jei norite, pakartokite 3 ir 4 veiksmus, kad užprogramuotumėte kelis etapus. Galima užprogramuoti iki 4 etapų. Proceso metu, kai baigiasi vieno etapo laikmatis, produktas automatiškai pereina prie kito etapo.
 - Paspauskite greitojo veikimo mygtuką, kad pradėtumėte procesą. Ekrane bus rodomas likęs laikas.
 - Norėdami proceso metu peržiūrėti mikrobangų galingumą, paspauskite Micro/Power mygtuką.
 - Kai procesas baigtas, prietaisas išleidžia 3 pyptelėjimus, o ekrane pasirodo **užrašas END**.

Grilio funkcijos naudojimas

- i** Naudokite grilio funkciją mėsos kepimui, skrudintų sumuštiniių ir gratinų gaminimui.
- Grilio grotelės padėkite ant stiklinio sukamojo stalo.
 - Maistą padėkite ant grotelių vidurio.
 - Uždarykite duris.
 - Pakartotinai paspauskite Micro/Power mygtuką, kol ekrane pasirodys **_G**.
 - Pasukite skaičių ratuką, kad pasirinktė norimą virimo laiką.
 - Paspauskite greitojo veikimo mygtuką, kad pradėtumėte procesą. Ekrane bus rodomas likęs laikas.

Kombinuotų programų naudojimas

- i** Kombinuotos programos vienu metu naudoja mikrobangų ir grilio funkcijas.
- Maistą padėkite ant sukamojo stalo vidurio.
 - Uždarykite duris.
 - Pakartotinai paspauskite Micro/Power mygtuką, kol ekrane pasirodys **C1** arba **C2**.

Ekranas	Funkcija	Indai
C1	30 % mikrobangų krosnelė, 70 % grilis	Žuvis, bulvės arba gratinas
C2	55 % mikrobangų krosnelė, 45 % grilis	Omeletai, keptos bulvės arba paukštiena

Atšildymas

- i** Naudokite šią funkciją mėsos ir jūros gėrybių atšildymui.
- Pasverkite maisto kiekį ir įsiminkite svorį.
 - Maistą padėkite ant sukamojo stalo vidurio.
 - Uždarykite duris.
 - Paspauskite iš anksto nustatytą mygtuką, kad pasirinktė

tinkamą atitirpinimo nustatymą, nurodytą lentelėje žemiau.

Kodas	Maisto rūšis	Intervalas
D1	Mėsa	0,1 - 2 kg
D2	Paukštiena	0,2 - 3 kg
D3	Jūros gėrybės	0,1 - 0,9 kg

5. Pasukite skaičių ratuką, kad nustatytumėte maisto svorį kilogramais. Pavyzdžiui, norėdami atšildyti 600 gramų maisto, nustatykite skaičių ratuką į „0,6“.
 6. Paspauskite momentinį mygtuką, kad pradėtumėte procesą.
- Kai produktas proceso metu skleidžia garsinį signalą:
7. Atidarykite duris. Procesas sustos.
 8. Apsukite maistą aukštyn kojomis arba, jei maisto gabaliukai yra mažesni, pakratykite arba išmaišykite.
 9. Uždarykite duris.
 10. Paspauskite momentinį mygtuką, kad tęstumėte procesą.
11. Kai procesas baigtas, prietaisas išleidžia 3 pyptelėjimus, o ekrane pasirodo **užrašas END**.

Iš anksto nustatytų nustatymų naudojimas

1. Pasverkite maisto kiekį ir įsiminkite svorį.
2. Maistą padėkite ant sukamojo stalo vidurio.
3. Uždarykite duris.
4. Pasukite skaičių ratą vienu žingsniu prieš laikrodžio rodyklę, kad pereitumėte į išankstinio nustatymo režimą.
5. Pasukite skaičių ratuką, kad pasirinkite norimą iš anksto nustatytą numerį. Visus iš anksto nustatytus numerius rasite lentelėje žemiau.
6. Paspauskite skaičių ratuką, kad pasirinkite iš anksto nustatytą parinktį.
7. Pasukite skaičių ratuką, kad nustatytumėte maisto svorį kilogramais. Pavyzdžiui, norėdami atšildyti 600 gramų maisto, nustatykite skaičių ratuką į „0,6“.
8. Paspauskite momentinį mygtuką, kad pradėtumėte procesą.
9. Kai procesas baigtas, prietaisas išleidžia 3 pyptelėjimus, o ekrane pasirodo **užrašas END**.

Kodas	Maisto rūšis	Nustatymai
A1	Kukurūzų spragėsiai	85 - 100 gr
A2	Bulvės	0,45 - 0,65 kg
A3	Daržovės	0,1 - 0,5 kg
A4	Mėsa*	0,2 - 0,7 kg
A5	Žuvis*	0,2 - 0,7 kg
A6	Paukštiena*	0,2 - 0,7 kg
A7	Lazanija	0,2 - 1 kg
A8	Pienas/kava	0,25 - 0,5 kg
A9	Ryžiai	0,1 - 0,5 kg
A10	Spagečiai**	0,1 - 0,5 kg
A11	Duona	0,1 - 0,5 kg
A12	Pica	1–2 vienetai

* kai produktas išduoda garsinį signalą, jį reikia apversti arba išmaišyti

Melissa | Quick start guide

** prieš virimą būtina įpilti verdančio vandens

Atidėjimo laikmačio nustatymas

1. Atidėjimo laikmatis negali būti naudojamas su greitaisiais ir programuotais procesais.
- Nustatykite norimą programą. Prieš pradėdami procesą:
1. Paspauskite ir laikykite nuspaudę mygtuką „Preset“ 3 sekundes. Valandų skaitmenys mirks.
 1. (Atidėjimo laikmačio funkcija leidžia nustatyti laiką, kurio turį prasidėti virimo procesas. Kad laikmatis veiktų, laikrodis turi būti nustatytas teisingai (žr. skyrių „Laiko nustatymas“).
 2. Pasukite skaičių ratą, kad nustatytumėte valandą.
 3. Paspauskite mygtuką „Preset“ (Išankstinis nustatymas). Minutės skaitmenys pradės mirgėti.
 4. Pasukite skaičių ratuką, kad nustatytumėte minutes.
 5. Paspauskite mygtuką „Preset“, kad baigtumėte nustatyti uždelsimo laikmatį. Pasigirs signalas ir ekranas mirgės.
 1. Procesas prasideda, kai pasiekiamas nustatytas laikas.
 6. Norėdami patikrinti nustatytą laiką, paspauskite išankstinio nustatymo mygtuką.
 7. Norėdami išjungti laikmatį, paspauskite pauzės mygtuką.

Vaikų užrakto įjungimas

1. Paspauskite ir laikykite nuspaudę pauzės mygtuką **A10** 3 sekundes. Pasigirs signalas, ekrane pasirodys **užrašas „OFF“** ir užrakto simbolis.
2. Norėdami išjungti vaikų apsaugą, 3 sekundes palaikykite nuspaudę pauzės mygtuką.

Garantija

Šis gaminys skirtas naudoti buitėje. Bet kokie gaminio pakeitimai ir (arba) modifikacijos panaikina garantiją. Mes negalime prisiimti jokios atsakomybės už žalą, atsiradusią dėl netinkamo gaminio naudojimo. Įprastam nusidėvėjimui garantija netaikoma.

Atsakomybės apribojimas

Dėl nuolatinio mūsų gaminių funkcijų ir dizaino tobulinimo pasilikame teisę keisti gaminių be išankstinio įspėjimo. Visi logotipai, prekių ženklai ir gaminių pavadinimai yra atitinkamų savininkų prekių ženklai arba registruotieji prekių ženklai, ir jie tokiais pripažįstami.

Šalinimas



Šis produktas skirtas atskirai surinkti atitinkamoje surinkimo vietoje. Neišmeskite produkto kartu su buitinėmis atliekomis. Dėl išsamesnės informacijos kreipkitės į mažmenininką arba vietos valdžios instituciją, atsakingą už atliekų tvarkymą.

ES atitikties deklaracija

Patvirtiname, kad šis gaminys atitinka taikomus ES teisės aktus. ES atitikties deklaraciją galima rasti mūsų svetainėje arba gauti pareikalavus.

Kombine Mikrodalga Fırın

16330128 16330130
16330129 16330131



Daha fazla bilgi için, genişletilmiş kılavuzu görmek üzere ön sayfadaki QR kodunu tarayın.

Bu belge hakkında

Nedis Melissa Kombine Mikrodalga Fırın.

Bu belge bir kullanım kılavuzudur ve ürünün doğru, verimli ve güvenli kullanımını gerekli tüm bilgileri içermektedir. Ürünü kurmadan veya kullanmadan önce bu belgedeki talimatları tamamen okuduğunuzdan ve anladığınızdan emin olun. Ambalajı ve bu belgeyi ileride başvurmak üzere saklayın.

Kullanılan semboller

⚠ UYARI	Kaçınılmadığı takdirde ölüm veya ciddi yaralanmayla sonuçlanabilecek potansiyel olarak tehlikeli bir durumu belirtmek için kullanılan sinyal kelimesi.
⚠ DİKKAT	Kaçınılmadığı takdirde hafif veya orta derecede yaralanmaya neden olabilecek potansiyel olarak tehlikeli bir durumu belirtmek için kullanılan sinyal kelimesi.
DUYURU	Fiziksel yaralanmayla ilgili olmayan uygulamaları ele almak için kullanılan işaret sözcüğü.

Kullanım amacı

Bu ürün bağımsız bir mikrodalga fırındır.

Ürün, yiyecek ve içecekleri ısıtmak için tasarlanmıştır. Yiyecek veya giysilerin kurutulması ve ısıtma pedleri, terlikler, süngerler, nemli bezler ve benzeri nesnelerin ısıtılması yaralanma, tutuşma veya yangın riskine yol açabilir.

Bu ürün sadece iç mekanlarda kullanılmak üzere tasarlanmıştır.

Bu ürün, 8 yaş ve üzeri çocuklar ve fiziksel, duyuşal veya zihinsel yetenekleri azalmış veya deneyim ve bilgi eksikliği olan kişiler tarafından, ürünün güvenli bir şekilde kullanılmasına ilişkin gözetim veya talimat verildiği ve ilgili tehlikeleri anladıkları takdirde kullanılabilir. Çocuklar ürünle oynamamalıdır. Temizlik ve kullanıcı bakımı gözetim olmadan çocuklar tarafından yapılmamalıdır.

Fiziksel, duyuşal veya zihinsel yetenekleri kısıtlı olan veya ürünün nasıl çalıştırılacağı konusunda deneyim ve bilgi eksikliği olan kişilerin ürünü kullanmasına izin vermemin. Bu ürün, ev ve benzeri uygulamalarda kullanılmak üzere tasarlanmıştır, örneğin:

- mağazalar, ofisler ve diğer çalışma ortamlarındaki personel mutfak alanları;
- çiftlik evleri;
- oteller, moteller ve diğer konut tipi ortamlarda müşteriler tarafından;
- oda ve kahvaltı tipi ortamlar.

Ürün profesyonel kullanım için tasarlanmamıştır.

Üründe yapılan herhangi bir değişiklik, güvenlik, garanti ve düzgün çalışması açısından sonuçlar doğurabilir.

Ana parçalar (resim A)

- | | |
|-----------------------|-----------------------|
| 1 Kapa | 7 Ekran |
| 2 Izgara rafı | 8 Arama |
| 3 Cam döner tabla | 9 Micro/Power düğmesi |
| 4 Döner tabla halkası | 10 Duraklat düğmesi |
| 5 Mil | 11 Anında düğmesi |
| 6 Elektrik kablosu | 12 Ön ayar düğmesi |

Güvenlik talimatları

Ürünü kurmadan veya kullanmadan önce bu belgedeki talimatları tamamen okuduğunuzdan ve anladığınızdan emin olun. Ambalajı ve bu belgeyi ileride başvurmak üzere saklayın.

Ürünü yalnızca bu belgede açıklandığı şekilde kullanın.

⚠ UYARI

Elektrik çarpması riski. Ürünü açmak, elektrik akımı taşıyan parçaları açığa çıkarabilir.

- Ürünü sökmeyin; içinde kullanıcı tarafından tamir edilebilecek parça yoktur.
- Bu ürüne bakım için yalnızca yetkili bir teknisyen tarafından servis verilebilir.
- Servis ve parça değiştirme işlemleri öncesinde ürünü güç kaynağından ayırın.

Elektrik çarpması riski. Su ile temas, kullanıcıyı elektrik akımı geçen parçalara maruz bırakabilir.

- Ürünü suya veya diğer sıvılara daldırmayın.
- Temizlemeden önce ürünün güç kaynağıyla bağlantısını kesin.

- Ürünü bulaşık makinesine koymayın.

Elektrik çarpması tehlikesi. Güç kablosu hasar gördüğünde, elektrik devresi açığa çıkabilir.

- Yalnızca verilen güç kablosunu kullanın.
- Kablonun tamamen uzatıldığından emin olun.
- Kablo bükülmemeli veya ürünün etrafına sarılmamalıdır.
- Ürünü kablosundan çekerek çıkarmayın. Daima fişten tutarak çekin.
- Güç kablosunun masa veya tezgahın kenarından sarkmasına veya sıcak yüzeylere temas etmesine izin vermemin.
- Güç kablosunu ve ürünü her zaman normal yürüyüş yollarından uzak tutun.

Kıvılcım veya yangın riski. Bazı malzemeler mikrodalga radyasyona maruz kaldıklarında yangına neden olabilir.

- Mikrodalga veya kombine pişirme modlarında ızgara rafını kullanmayın. Izgara rafı cam döner tabla üzerine yerleştirilmeli ve sadece ızgara pişirme için kullanılmalıdır.
- Sadece mikrodalga fırınlarda kullanıma uygun mutfak eşyaları kullanın.
- Mikrodalga fırında pişirme sırasında gıda ve içecekler için metal kapların kullanılması yasaktır.
- Bu fırın için önerilen sıcaklık probunu kullanın (sıcaklık

- algılama probu kullanma özelliğine sahip cihazlar için).
- Plastik veya kağıt kaplarda yiyecekleri ısıtırken, alev alma ihtimaline karşı fırını gözden kaçırmayın.

Kısa devre nedeniyle yangın riski. Hasarlı bileşenler aşırı ısınarak alev alabilir.

- Ürünün herhangi bir parçası hasarlı veya kusurluysa ürünü kullanmayın; derhal değiştirin.
- Güç kablosu hasar görmüşse, üretici veya servis temsilcisinden temin edilebilen özel bir kablo veya tertibat ile değiştirilmelidir.

Aşırı ısınma nedeniyle yangın riski. Ürün ısısını **kaybedemezse**, aşırı ısınarak alev alabilir.

- Havalandırma açıklıklarını kapatmayın.
- Ürünün ayaklarını çıkarmayınız.
- Ürünün çevresinde her zaman yeterli boşluk bırakın.
- Dolaba yerleştirildiğinde, ürünü sadece dolap kapısı açıkken kullanın.

Aşırı ısınma nedeniyle yangın riski. Ürün içinde hiçbir şey olmadan kullanıldığında, radyasyonu kendisi emer. Ürün boşken asla çalıştırmayın.

Yaralanma riski. Ürün, 8 yaşın altındaki çocuklar tarafından kullanılmak üzere tasarlanmamıştır.

- Cihazı kullanım sırasında sürekli gözetim altında tutun.
- Cihaz kullanılmadıkça, cihazın yakınında bulunan çocukları gözetleyin.
- Çocukların veya evcil hayvanların ürünle oynamasına asla izin vermeyin.

Ciddi yaralanma ve yanık riski. Sıcak yüzeyler ve gözetimsiz kullanım yanıklara veya yaralanmalara neden olabilir.

- Ürünü kullanmadığınız zamanlarda güç kaynağından ayırın.
- Çocuklar ve savunmasız kişiler varken ürünü asla gözetimsiz bırakmayın.
- Bu ürünü harici bir zamanlayıcı veya ayrı bir uzaktan kumanda sistemi kullanarak çalıştırmayın.

Boğulma tehlikesi. Çocukların ambalaj malzemesiyle oynamasına izin vermeyin. Ambalaj malzemesini daima çocukların erişemeyeceği bir yerde saklayın.

Mikrodalga radyasyonuna maruz kalma riski.

Üründemeydana gelen hasar, mikrodalga radyasyonunun dışarı sızmasına neden olabilir:

- Mikrodalga enerjisine maruz kalmaya karşı koruma sağlayan kapağın çıkarılmasını gerektiren herhangi bir servis veya onarım işlemini, yetkili kişiler dışında başka kimsenin yapması tehlikelidir.
- Kapı hasar gördüğünde, üründen radyasyon sızabilir. Kapı, kapı contaları veya kilit sistemi hasar görmüşse, ürünü kullanmayı bırakın ve yetkili bir kişi tarafından onarılmasını sağlayın.

Zehirli duman veya yangın riski. Temizlik kalıntıları zararlı dumanlar yayabilir veya kıvılcımlara neden olabilir.

Temizlikten sonra tüm temizlik ürünlerini daima silin.

⚠ DİKKAT

Yanma riski. Ürün ve kullanılan gıdalar ve nesnel kullanım sırasında ısınabilir.

- Kullanım sırasında bu ürünün yüzeyine dokunmayın.
- Sıvılar ve diğer gıdalar, patlama riski bulunduğundan kapalı kaplarda ısıtılmamalıdır.
- Yanıkları önlemek için biberonların ve bebek maması kavanozlarının içindikileri her zaman karıştırın veya çalkalayın ve tüketmeden önce sıcaklığını kontrol edin.
- Kabuklu yumurtalar ve bütün haşlanmış yumurtalar, mikrodalga fırında ısıtılmamalıdır, çünkü mikrodalga ısıtma bittikten sonra bile patlayabilirler.
- Üründeki yağları veya katı yağları ısıtmak uzun zaman alır ve kap aşırı derecede ısınır. Ürünü asla yağları ve katı yağları ısıtmak için kullanmayın.

DUYURU

Kapının hasar görme riski. Kapı, ürün kullanılmadıkça kapıyı kapalı tutan bir güvenlik mekanizmasına sahiptir. Kapıyı açarken asla aşırı güç kullanmayın. Kapının kilidinin açılmasını her zaman bekleyin.

Suya maruz kalma nedeniyle hasar riski. Nem, iç elektrikli parçalara zarar verebilir.

- Ürünü suya, yağmura, neme veya yüksek neme maruz bırakmayın.
- Ürünü buharlı temizleyici ile temizlemeyin.

Hasar riski. Ürün, şiddetli darbelerle karşı korumalı değildir. Ürünü düşürmeyin ve çarpmalardan kaçının.

Yüzeyin zarar görme riski. Temizlik maddeleri kaplamaya zarar verebilir. Ürünü temizlerken agresif kimyasal temizlik maddeleri kullanmayın.

Hijyenik olmayan ürün riski. Ürünü cam döner tabla ve uygun bir kap olmadan kullanmak, kir birikmesine ve hatta bakteri üremesine neden olabilir. Ürünü daima döner tabla takılı olarak kullanın. Yiyecekleri daima mikrodalgada kullanılabilir tabak veya kaptan ısıtın.

Ürün veya ambalaj üzerindeki sembollerin açıklanması
Simge açıklama



Sıcak yüzey uyarısı. Dokunmak yanıklara neden olabilir. Dokunmayın.

Paketin içeriğini kontrol edin

Tüm parçaların mevcut olduğunu ve parçalarda görünür bir hasar olmadığını kontrol edin. Parçalar eksik veya hasarlıysa, aşağıdaki adres üzerinden servis masasına başvurun: support.melissa-online.com

Ürünün yüklenmesi

- Kullanmadan önce ürünün iç ve dışındaki tüm ambalajları çıkarın.
- Ürünü, ürünün ağırlığını (yaklaşık 12,5 kg) taşıyabilecek düz ve sabit bir yüzeye dik olarak yerleştirin.
i Yeterli havalandırma sağlamak ve aşırı ısınmayı önlemek için arkada en az 10 cm, yanlarda 5 cm ve üstte 20 cm boşluk bırakılmalıdır. Dolaba monte edildiğinde, kullanım sırasında dolabın kapısını açık tutun.
- Cam döner tablanın **A3** döner tabla halkasına doğru şekilde oturtulmuş olup kontrol edin. **A4** ve mil üzerine

dođru şekilde yerleřtirilmiřtir. **A5**. Cam doner tablanın altındaki oluk,  tekerlekle hizalanmalıdır.

- Gc kablosunu takın **A6** bir elektrik prizine takın.
- Ekran **A7**  kez yanıp soner.

Saati ayarlamak

- n Ayar dugmesini basılı tutun **A12** 3 saniye basılı tutun. Saat rakamları yanıp soner.
- Dugmeyi verin **A8** saatleri ayarlamak iin verin.
- n Ayar dugmesine basın. Dakika rakamları yanıp soner.
- Dakikaları ayarlamak iin kadranı verin.
- Zaman ayarını tamamlamak iin Preset dugmesine basın.

rnn kullanımı

Cam, tař veya mikrodalgada kullanılabilen plastik kaplar ve mutfak eřyaları kullanmanızı neririz. rnde ařađıdaki mutfak eřyalarını asla kullanmayın:

- Mhrl cam kavanozlar ve řiřeler
 - Kck ađızlı cam řiřeler
 - Kapalı tenek kutular ve kaplar
 - Genel amalı termometreler
 - Gmř folyo
 - Geri dnřtrlmř kađıt
 - Altın veya gmř sslemeli tabaklar
 - Herhangi bir metal ieren kaplar
- i** Mikrodalgayı yiyecek olmadan test etmek istiyorsanız, bir bardak su kullanın.

Hızlı alıřma

- i** İřlem sırasında, duraklat dugmesine basarak iřlemi duraklatın. Duraklat dugmesine iki kez basarak iřlemi iptal edin.
- Yiyeceđi doner tablanın ortasına yerleřtirin.
 - Kapıyı kapat.
 - Anlık dugmeye basın **A11**. İřlem hemen tam gcte 1 dakika boyunca bařlar.
 - İsteđe bađlı olarak, zamanlayıcıyı ayarlamak iin anlık dugmeye tekrar tekrar basın.
 - İřlem bittiđinde, rn 3 bip sesi ıkarır ve ekranda **END(BİTTİ)** yazısı grnr.

Manuel alıřma

- Yiyeceđi doner tablanın ortasına yerleřtirin.
 - Kapıyı kapat.
 - Micro/Power dugmesine **A9** art arda basarak istediđinin mikrodalga gcn sein. Ekranda mikrodalga gc yzde olarak gsterilir. Ařađıdaki tabloda karřılık gelen watt deđerleri gsterilmektedir.
- i** Mikrodalga gcnn yanı sıra, _G, C1 ve C2 programları da mevcuttur. Daha fazla bilgi iin Izgara iřlevini kullanma ve Kombinasyon programlarını kullanma blmlerine bakın.

100	800 W
80	640 W
60	480 W

40	320 W
20	160 W

- i** Mikrodalga gc seviyeleri, maksimum ıkıřın yzdesi olarak gsterilir. İlgili watt deđerleri gsterge niteliđindedir ve sabit deđildir.
- İstenilen piřirme sresini semek iin kadranı verin.
 - i** İstenirse, birden fazla ařama programlamak iin 3. ve 4. adımları tekrarlayın. En fazla 4 ařama programlanabilir. İřlem sırasında, bir ařamanın zamanlayıcısı bittiđinde, rn otomatik olarak bir sonraki ařamaya geer.
 - İřlemi bařlatmak iin anlık dugmeye basın. Ekranda kalan sre gsterilir.
 - i** İřlem sırasında mikrodalga gcn grntlemek iin Micro/Power dugmesine basın.
 - İřlem bittiđinde, rn 3 bip sesi ıkarır ve ekranda **END(BİTTİ)** yazısı grnr.

Izgara fonksiyonunu kullanma

- i** Etleri izgara yapmak, kızarmıř sandviler ve gratenler hazırlamak iin izgara iřlevini kullanın.
- Izgara rafını cam doner tablanın zerine yerleřtirin.
 - Yiyecekleri izgara rafının ortasına yerleřtirin.
 - Kapıyı kapat.
 - Ekranda **G** grnne kadar Micro/Power dugmesine tekrar tekrar basın.
 - İstenilen piřirme sresini semek iin kadranı verin.
 - İřlemi bařlatmak iin anlık dugmeye basın. Ekranda kalan sre gsterilir.

Kombinasyon programlarını kullanma

- i** Kombinasyon programları, mikrodalga ve izgara iřlevlerini aynı anda kullanır.
- Yiyeceđi doner tablanın ortasına yerleřtirin.
 - Kapıyı kapat.
 - Ekranda **C1** veya **C2** grnne kadar Micro/Power dugmesine tekrar tekrar basın.

Ekran	Fonksiyon	Yemekler
C1	%30 mikrodalga, %70 izgara	Balık, patates veya graten
C2	%55 mikrodalga, %45 izgara	Omlet, fırında patates veya tavuk

zdrme

- i** Bu iřlevi et ve deniz rnlerini zmek iin kullanın.
- Yiyecek miktarını tartın ve ađırlıđını unutmayın.
 - Yiyeceđi doner tablanın ortasına yerleřtirin.
 - Kapıyı kapat.
 - Ařađıdaki tabloda gsterilen dođru buz zme ayarını semek iin n ayar dugmesine basın.

Kod	Yiyecek tr	Aralık
D1	Et	0,1 - 2 kg
D2	Kmes hayvanları	0,2 - 3 kg
D3	Deniz rnleri	0,1 - 0,9 kg

- Kadranı vererek yiyeceđin ađırlıđını kg cinsinden

- ayarlayın. Örneğin, 600 gramlık yiyeceği çözmek için kadranı "**0,6**" konumuna getirin .
- İşlemi başlatmak için anlık düğmeye basın.
- İşlem sırasında ürün bip sesi çıkardığında:
- Kapıyı açın. İşlem duraklatılır.
 - Yiyecekleri ters çevirin veya daha küçük parçalar halindeyse sallayın veya karıştırın.
 - Kapıyı kapat.
 - İşlemi devam ettirmek için anlık düğmeye basın.
11. İşlem bittiğinde, ürün 3 bip sesi çıkarır ve ekranda **END(BİTTİ) yazısı** görünür.

Ön ayarları kullanma

- Yiyecek miktarını tartın ve ağırlığını unutmayın.
- Yiyeceği döner tablanın ortasına yerleştirin.
- Kapıyı kapat.
- Ön ayar moduna girmek için kadranı saat yönünün tersine bir adım çevirin.
- İstenilen ön ayara karşılık gelen numarayı seçmek için kadranı çevirin. Tüm ön ayarlar için aşağıdaki tabloya bakın.
- Ön ayarı seçmek için kadranı basın.
- Kadranı çevirerek yiyeceğin ağırlığını kg cinsinden ayarlayın. Örneğin, 600 gramlık yiyeceği çözmek için kadranı "**0,6**" konumuna getirin .
- İşlemi başlatmak için anlık düğmeye basın.
- İşlem bittiğinde, ürün 3 bip sesi çıkarır ve ekranda **END(BİTTİ) yazısı** görünür.

Kod	Yiyecek türü	Ayarlar
A1	Patlamış mısır	85 - 100 gr
A2	Patates	0,45 - 0,65 kg
A3	Sebzeler	0,1 - 0,5 kg
A4	Et*	0,2 - 0,7 kg
A5	Balık*	0,2 - 0,7 kg
A6	Kümes hayvanları*	0,2 - 0,7 kg
A7	Lazanya	0,2 - 1 kg
A8	Süt/kahve	0,25 - 0,5 kg
A9	Pirinç	0,1 - 0,5 kg
A10	Spagetti**	0,1 - 0,5 kg
A11	Ekmek	0,1 - 0,5 kg
A12	Pizza	1 - 2 öge

* ürün bip sesi çıkardığında ters çevrilmeli veya karıştırılmalıdır

** pişirmeden önce kaynar su eklemelisiniz

Gecikme zamanlayıcısını ayarlama

- Gecikme zamanlayıcısı, ekspres ve programlanmış işlemlerde kullanılamaz.

İstenilen programı ayarlayın. İşlemi başlatmadan önce:

- Ön Ayar düğmesini 3 saniye basılı tutun. Saat rakamları yanıp söner.

- (Gecikme zamanlayıcı işlevinde, pişirme işleminin başlaması gereken zamanı ayarlarsınız. Zamanlayıcının çalışması için saatin doğru ayarlanmış olması gerekir

(bkz. zamanı ayarlama bölümü).

- Kadranı çevirerek saati ayarlayın.
- Ön Ayar düğmesine basın. Dakika rakamları yanıp sönmeye başlar.
- Dakikaları ayarlamak için kadranı çevirin.
- Gecikme zamanlayıcısını ayarlamak için Preset düğmesine basın. Bir bip sesi duyulur ve ekran yanıp söner.
- Süreç, ayarlanan süreye ulaştığında başlar.
- Ayarlı saati kontrol etmek için ön ayar düğmesine basın.
- Zamanlayıcıyı iptal etmek için duraklat düğmesine basın.

Çocuk kilidini etkinleştirme

- Duraklat düğmesini basılı tutun **A10** 3 saniye boyunca basılı tutun. Bir bip sesi duyulur, ekranda **OFF** (Kapalı) ve bir kilit simgesi görünür .
- Çocuk kilidini devre dışı bırakmak için duraklatma düğmesini 3 saniye basılı tutun.

Garanti

Bu ürün ev kullanımı için tasarlanmıştır. Üründe yapılacak herhangi bir değişiklik ve/veya modifikasyon garantiyi geçersiz kılar. Ürünün yanlış kullanımından kaynaklanan hasarlar için herhangi bir sorumluluk kabul edemeyiz. Normal aşınma ve yıpranma garanti kapsamı dışındadır.

Sorumluluk Reddi

Ürünlerimizin işlev ve tasarımı açısından sürekli geliştirilmesi nedeniyle, haber vermeksizin üründe değişiklik yapma hakkımızı saklı tutarız. Tüm logolar, markalar ve ürün adları, ilgili sahiplerinin ticari markaları veya tescilli ticari markalarıdır ve bu vesileyle bu şekilde tanınmaktadır.

Bertaraf



Bu ürün, uygun bir toplama noktasında ayrı toplanmak üzere tasarlanmıştır. Ürünü evsel atıklarla birlikte atmayın. Daha fazla bilgi için perakendecinizle veya atık yönetiminden sorumlu yerel yetkililere iletişime geçin.

AB Uygunluk Beyanı

Bu ürünün ilgili AB mevzuatına uygun olduğunu beyan ederiz. AB Uygunluk Beyanı web sitemizde mevcuttur veya talep üzerine temin edilebilir.

